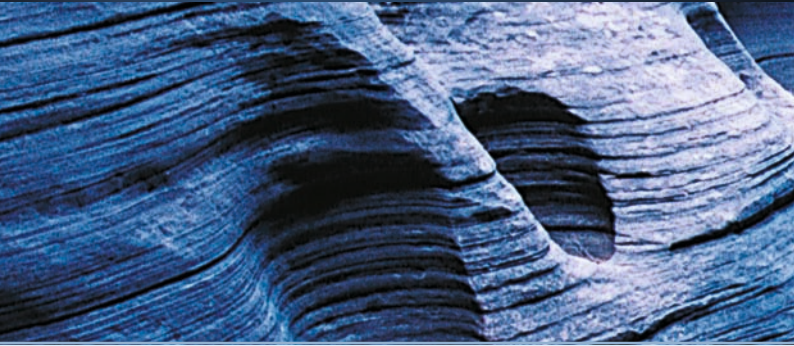


Product Catalog

# Rocker Switch





Higher, faster, farther – the functions offered by technical developments are increasing while their size is constantly being reduced. This presents a challenge for the designers of the individual components. To meet both of the above requirements and also to satisfy the demands of our partners, we have built up an extremely wide range of switches. Decades of experience in developing and producing switches provide us with the basis to find the best solution for your application, too.

Our rocker switches are used in a large number of applications ranging from household appliances and power tools to industrial machines and plant equipment. Cherry rocker switches are the perfect choice for economical, compact switching, in current ratings of up to 20 amperes. They are available in a wide variety of shapes and colors, in lighted and non-lighted designs, and with different switch characteristics, electrical ratings and protection classes. To satisfy almost every need. We'll be glad to assist you.



## Standard

<u>TR Series – Single Pole Rocker Switch</u>	4
<u>CR Series – Single Pole Rocker Switch for higher loads</u>	6
<u>YR Series – Double Pole Rocker Switch</u>	8
<u>WR Series – Double Pole Rocker Switch for higher loads</u>	10

## Miniature

<u>SR Series – Single Pole Rocker Switch</u>	12
<u>LR Series – Double Pole Rocker Switch</u>	14
<u>RR Series – Round Rocker Switch</u>	16
<u>SR Series – Round Rocker Switch for higher loads</u>	18

## Ultra-miniature

<u>PR Series – Ultra-miniature Rocker Switch</u>	20
--	----

## Waterproof

<u>K Series – Waterproof Rocker &amp; Pushbutton Switch</u>	22
---	----

# SINGLE POLE ROCKER SWITCH

## TR Series



### Features

- 16A switching in 11mm wide package
- Lighted and non-lighted versions
- Available in a wide variety of colors
- Double-throw and three-position versions available
- Fits industry-standard cut-outs
- Mechanical life: min. 50,000 operations

### Specifications

#### Electrical

Dielectric Strength:	1000VAC for 1 minute
Insulation Resistance:	10 <sup>8</sup> ohms min at 500VDC
Initial Contact Resistance:	0.020 ohms max
Ambient temperature:	-20°C to +85°C

#### Materials

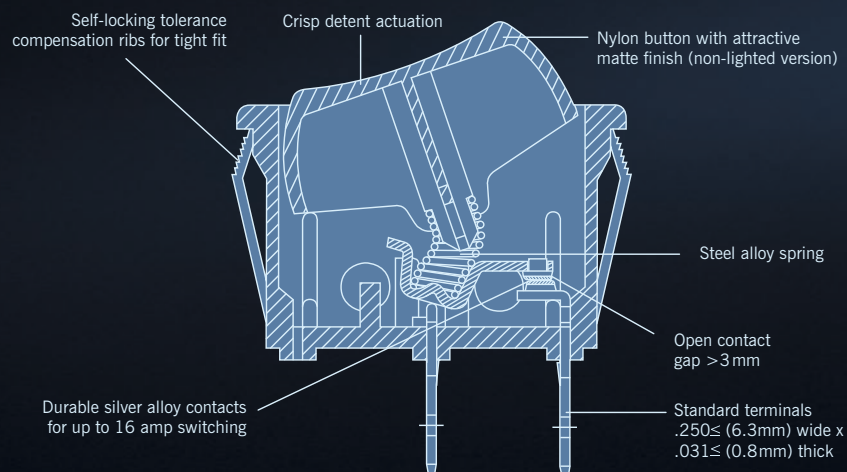
Actuator (non-lighted):	Nylon 66 94V-2
Actuator (lighted):	Polycarbonate
Case:	Nylon 66 94V-2
Spring:	Steel Wire
Contacts:	Silver Alloy
Movable Arm:	Silver-Plated Copper Alloy
Fixed Contact Terminals:	Tin-Plated Copper Alloy

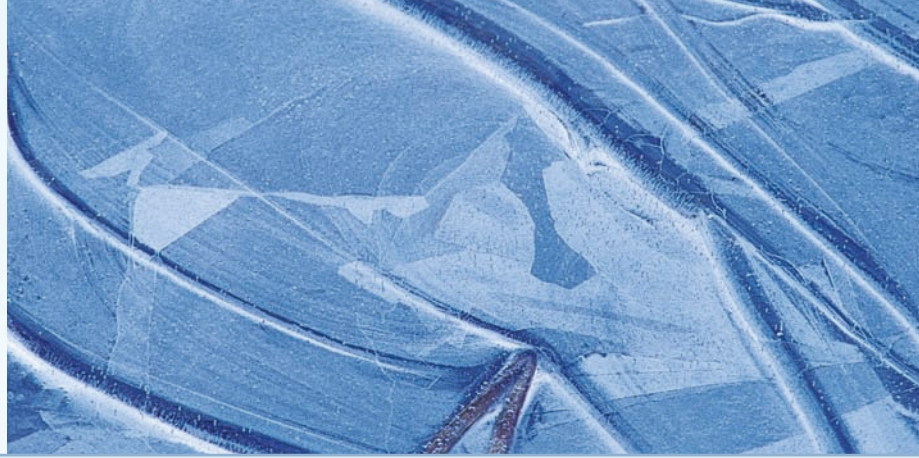
### Electrical Ratings

Switch Series	EN61058 Rating	UL1054 Rating	Electrical Life at Rated Load	
			According to VDE (Min. Operations)	According to UL (Min. Operations)
TR	16(4)A, 250V~, T85 1E4	16A, 125/250VAC, 1/4HP@125/250 V; 3/4HP@250V	10,000	6,000



UL File No.: E23301  
RoHS compliant





## Examples of Common Part Numbers and Descriptions inches (mm)

Part Number	Circuitry	Switch Function	Terminal Type	Actuator/Housing Color	Legend Marking
TRG22F2FBBNN		On - Off	0.250 (6.30) Quick-Connect	Black/Black	
TRG22F2BBRLN		On - Off/Lighted	0.250 (6.30) Quick-Connect	Red/Black	

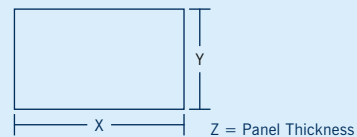
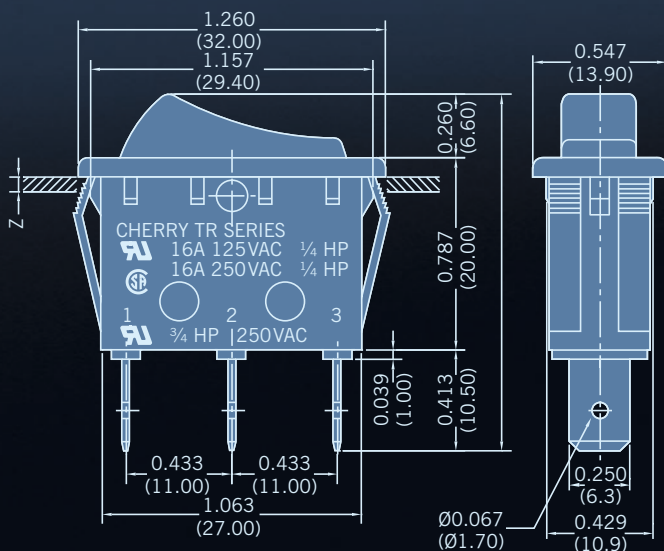
Boot #0015-0662

## Ordering Information

TR	G	2	2	F	2	F	B	B	N	N
<b>Series</b>	<b>Code</b> <b>Circuitry</b>	<b>Code</b> <b>Switch Function</b>	<b>Code</b> <b>Actuator Type</b>	<b>Code</b> <b>Housing Color</b>	<b>Code</b> <b>Lighted</b>	<b>Code</b> <b>Contact Rating</b>	<b>Code</b> <b>Actuator Marking</b>	<b>Code</b> <b>Actuator Color</b>	<b>Code</b> <b>Splashproof</b>	
	2 Single-Pole	2 On - Off 3 On - On 5 (On) - Off 6 (On) - On	2 Curve 5 Flat	E Charcoal Grey Y Grey B Black W White	N Non-Lighted L Lighted (Bulb 125VAC) E Lighted (Bulb 250VAC) F Lighted 5VDC Incandescent G Lighted 6VDC Incandescent H Lighted 12VDC Incandescent	G 16A, 125/250VAC; 1/4HP@125/250V 3/4HP@250V (UL) 16A, 125/250VAC; 1/4HP@125/250VAC (CSA) 16(4)A, 250V~ (VDE)	B Blank C D OFF NO E O I F O I G •	Y Grey B Black G Green A Amber R Red W White E Charcoal Grey	N No Rocker Boot S Waterproof Boot	
		<b>Code</b> <b>Terminal Type</b> inches (mm)								
		F 0.250 (6.3) QC								

Specifications subject to change without notice.

## Dimensions inches (mm)

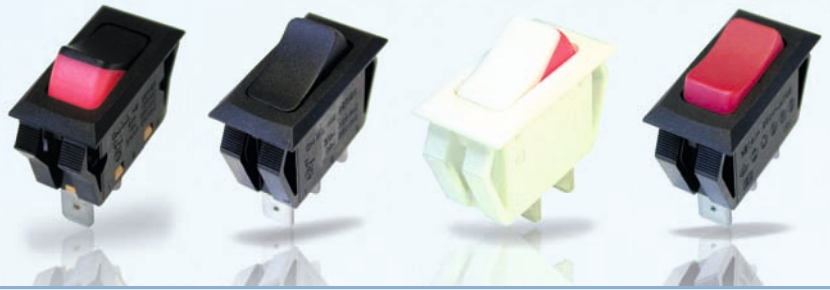


## Recommended Panel Cut-Out Dimensions

inches (mm)

Dim. Z	Dim. X	Dim. Y
0.030 to 0.049 (0.75 to 1.25)	1.19 (30.23)	0.433 (11.00)
0.049 to 0.079 (1.25 to 2.00)	1.20 (30.48)	0.433 (11.00)
0.079 to 0.118 (2.00 to 3.00)	1.21 (30.73)	0.433 (11.00)

# SINGLE POLE ROCKER SWITCH FOR HIGHER LOADS



## CR Series

### Features

- Rugged design with current switching up to 20 amps
- 2-color molded button available for maximum visibility
- Lighted and non-lighted versions
- Splash-proof option available
- Available in a wide variety of colors
- Fits to 3 panel cut-out widths
- Mechanical life: min. 100,000 operations

### Specifications

#### Electrical

Dielectric Strength:	1000VAC for 1 minute
Insulation Resistance:	10 <sup>8</sup> ohms min at 500VDC
Initial Contact Resistance:	0.020 ohms max
Ambient temperature:	-20°C to +125°C

#### Materials

Actuator (non-lighted):	Nylon 66 94V-2
Actuator (lighted):	Polycarbonate
Housing:	Nylon 66 94V-2
Case:	Nylon 66 94V-2
Spring:	Steel Wire
Contacts:	Silver Alloy
Movable Arm:	Silver-Plated Copper Alloy
Terminals:	Tin-Plated Copper Alloy

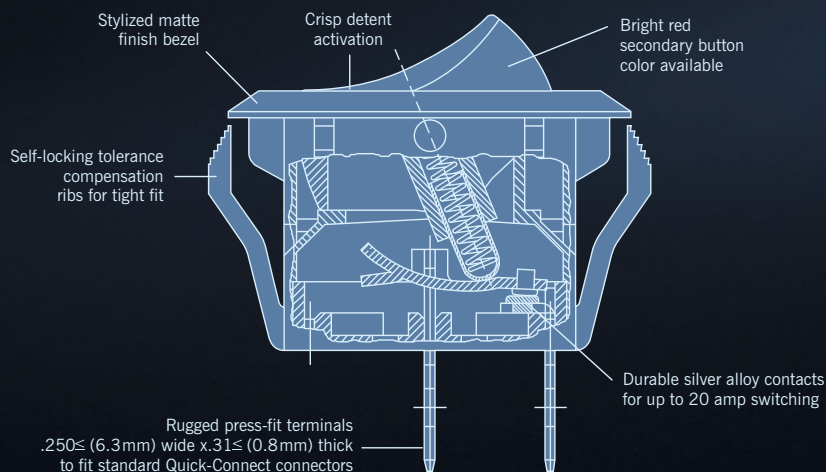
### Electrical Ratings

Switch Series	EN61058 Rating	UL1054 Rating	Electrical Life at Rated Load	
			According to VDE (Min. Operations)	According to UL (Min. Operations)
CR	16(4)A, 250V~, T125	20A, 125VAC; 16A, 250VAC; 3/4HP, 250VAC	10,000	6,000





 UL File No.: E23301  
 RoHS compliant





# DOUBLE POLE ROCKER SWITCH

## YR Series



### Features

- High current rating to 20 amps
- New style with rounded corners
- Lighted and non-lighted
- Maintained-action and momentary
- Available in a variety of colors
- Mechanical life: min. 50,000 operations

### Specifications

#### Electrical

Dielectric Strength:	1000VAC for 1 minute
Insulation Resistance:	10 <sup>8</sup> ohms min at 500VDC
Initial Contact Resistance:	0.020 ohms max
Ambient temperature:	-20°C to +125°C

#### Materials

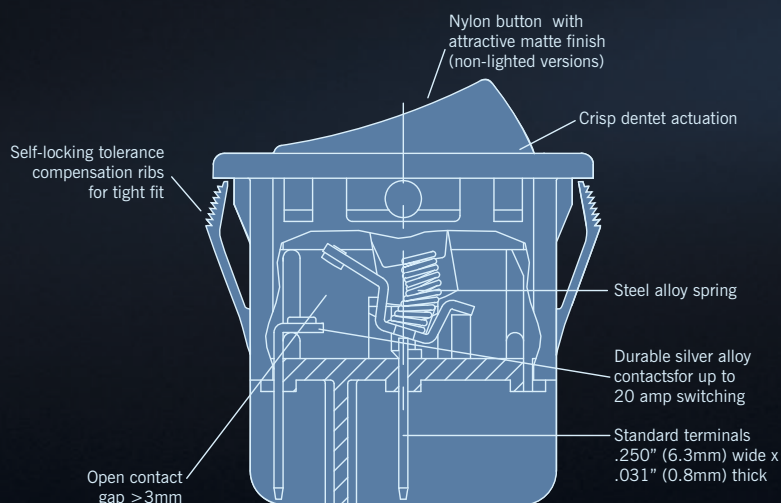
Actuator (non-lighted):	Nylon 66 94V-2
Actuator (lighted):	Polycarbonate
Case:	Nylon 66 94V-2
Spring:	Steel Wire
Contacts:	Silver Alloy
Movable Arm:	Silver-Plated Copper Alloy
Terminals:	Tin-Plated Copper Alloy

### Electrical Ratings

Switch Series	EN61058 Rating	UL1054 Rating	Electrical Life at Rated Load	
			According to VDE (Min. Operations)	According to UL (Min. Operations)
YR	16(4)A, 250V~, T125 1E4	20A, 125VAC; 16A 125/250VAC; 3/4HP 125/250VAC	10,000	6,000




 UL File No.: E23301  
 RoHS compliant







# DOUBLE POLE ROCKER SWITCH FOR HIGHER LOADS



## WR Series

### Features

- Rugged construction for 2-pole, high-current applications
- Lighted and non-lighted
- Maintained-action and momentary
- Single-throw and double-throw
- Available in a variety of colors
- Mechanical life: min. 50,000 operations

### Specifications

#### Electrical

Dielectric Strength:	1000VAC for 1 minute
Insulation Resistance:	10 <sup>8</sup> ohms min at 500VDC
Initial Contact Resistance:	0.020 ohms max
Ambient temperature:	-20°C to +125°C

#### Materials

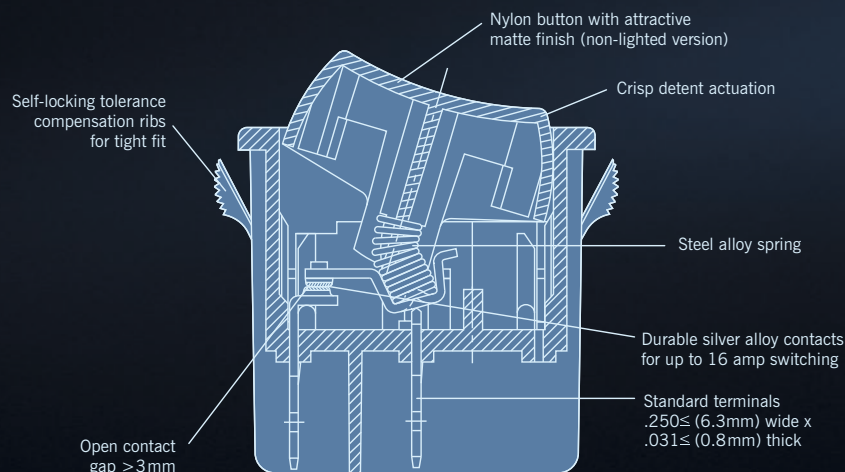
Actuator (non-lighted):	Nylon 66 94V-2
Actuator (lighted):	Polycarbonate
Case:	Nylon 66 94V-2
Spring:	Steel Wire
Contacts:	Silver Alloy
Movable Arm:	Silver-Plated Copper Alloy
Terminals:	Tin-Plated Copper Alloy

### Electrical Ratings

Switch Series	EN61058 Rating	UL1054 Rating	Electrical Life at Rated Load	
			According to VDE (Min. Operations)	According to UL (Min. Operations)
WR	16(4)A, 250V~, T125 1E4	16A, 125/250VAC; 1/4HP@125/250 V; 3/4HP@250V	10,000	6,000




 UL File No.: E23301  
 RoHS compliant





## Examples of Common Part Numbers and Descriptions inches (mm)

Part Number	Circuitry	Switch Function	Terminal Type	Actuator/Housing Color	Legend Marking
WRG32F2FBBNN		On – Off	0.250 (6.30) Quick-Connect	Black/Black	
WRG34F2HBBNN		On – Off – On	0.250 (6.30) Quick-Connect	Black/Black	
WRG32F2BBRLN		On – Off/Lighted	0.250 (6.30) Quick-Connect	Red/Black	

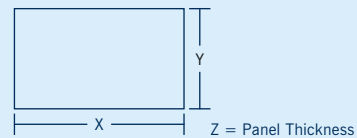
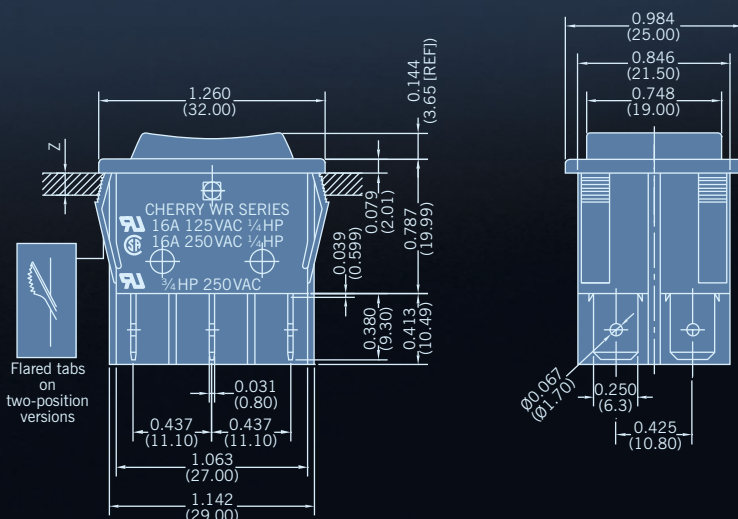
Boot #0015-0646

## Ordering Information

WR	G	3	2	F	2	F	B	B	N	N	
<b>Series</b>	<b>Code</b>	<b>Circuitry</b>	<b>Code</b>	<b>Switch Function</b>	<b>Code</b>	<b>Actuator Type</b>	<b>Code</b>	<b>Housing Color</b>	<b>Code</b>	<b>Lighted</b>	
	2	Single-Pole	2	On – Off	2	Curve	Y	Grey	N	Non-Lighted	
	3	Double-Pole	3	On – On	5	Flat Actuator	B	Black	L	Lighted (Bulb 125VAC)	
			5	(On) – Off	7	Curve – Dual Actuator	W	White	E	Lighted (Bulb 250VAC)	
			6	(On) – On					F	Lighted 5VDC Incandescent	
<b>Code</b>	<b>Contact Rating</b>				<b>Code</b>	<b>Actuator Marking</b>	<b>Code</b>	<b>Actuator Color</b>	G	Lighted 6VDC Incandescent	
G	16A, 125/250VAC: 1/4HP@125/250V : 3/4HP@250V (UL) 16A, 125/250VAC: 1/4HP@125/250VAC (CSA) 16(4)A, 250V~, T125 1E4 (VDE)				B	Blank	Y	Grey	H	Lighted 12VDC Incandescent	
			<b>Code</b>	<b>Terminal Type</b> inches (mm)	C	LO IH	B	Black		<b>Code</b>	<b>Splashproof</b>
			A	0.187 (4.8) QC	D	OFF NO	G	Green	N	No Rocker Boot	
			F	0.250 (6.3) QC	E	O I	A	Amber			
					F	O I	R	Red			
					G	•	W	White			

Specifications subject to change without notice.

## Dimensions inches (mm)



## Recommended Panel Cut-Out Dimensions

inches (mm)

Dim. Z	Dim. X	Dim. Y
0.030 to 0.049 (0.75 to 1.25)	1.180 (30.00)	0.867 (22.02)
0.049 to 0.079 (1.25 to 2.00)	1.190 (30.25)	0.867 (22.02)
0.079 to 0.118 (2.00 to 3.00)	1.200 (30.48)	0.867 (22.02)

# SINGLE POLE ROCKER SWITCH



## SR Series

### Features

- 10 amp switching in a miniature package
- Single-throw and double-throw options
- Choice of actuator and housing color
- Variety of terminals available
- Industry-standard mounting dimensions
- Mechanical life: min. 100,000 operations

### Specifications

#### Electrical

Dielectric Strength:	1000VAC for 1 minute
Insulation Resistance:	10 <sup>8</sup> ohms min at 500VDC
Initial Contact Resistance:	0.020 ohms max
Ambient temperature:	-20°C to +85°C

#### Materials

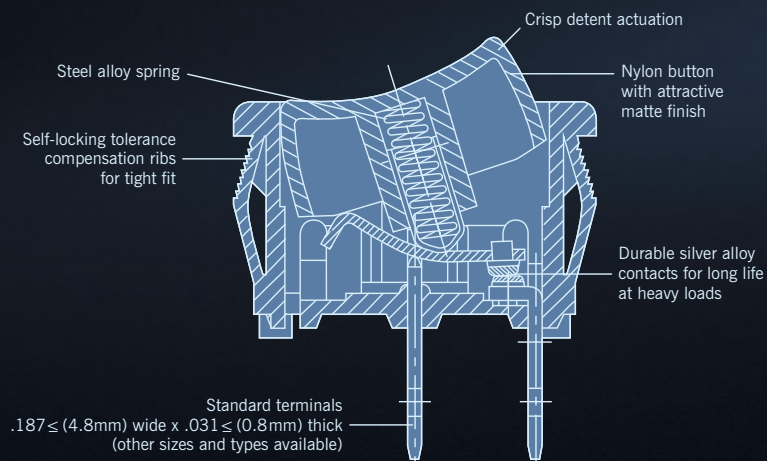
Actuator:	Nylon 66 94V-2
Case:	Nylon 66 94V-2
Spring:	Steel Wire
Contacts:	Silver or Copper Alloy
Movable Arm:	Silver-Plated Copper Alloy
Terminals:	Tin-Plated Copper Alloy

### Electrical Ratings

Switch Series	EN61058 Rating	UL1054 Rating	Electrical Life at Rated Load	
			According to VDE (Min. Operations)	According to UL (Min. Operations)
SR	10(4)A, 250V~, μT85	10A, 125VAC; 6A, 250VAC	10,000	6,000



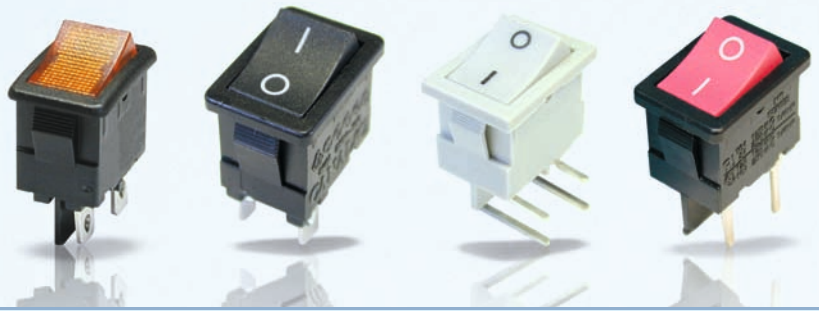
UL File No.: E23301  
RoHS compliant





# DOUBLE POLE ROCKER SWITCH

## LR Series



### Features

- Single-pole and double-pole configurations
- Lighted and non-lighted options
- Available in a wide variety of colors
- High current switching in a compact package
- Variety of terminal styles available
- Self-locking tabs to fit industrystandard panel cut-outs
- Mechanical life: min. 100,000 operations

### Specifications

#### Electrical

Dielectric Strength:	1000VAC for 1 minute
Insulation Resistance:	10 <sup>8</sup> ohms min at 500VDC
Initial Contact Resistance:	0.020 ohms max
Ambient temperature:	-20°C to +125°C

#### Materials

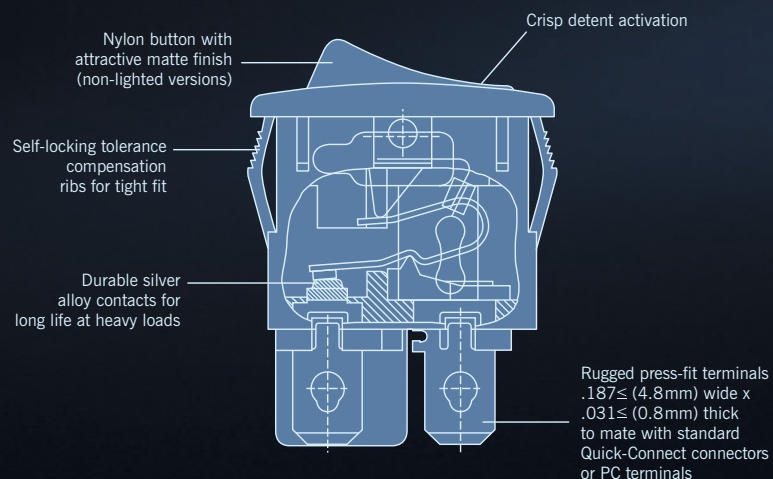
Actuator (non-lighted):	Nylon 66 94V-2
Actuator (lighted):	Polycarbonate
Case:	Nylon 66 94V-2
Contacts:	Silver Alloy
Movable Arm:	Copper Alloy
Terminals:	Tin-Plated Copper Alloy

### Electrical Ratings

Switch Series	EN61058 Rating	UL1054 Rating	Electrical Life at Rated Load	
			According to VDE (Min. Operations)	According to UL (Min. Operations)
LR	10(4)A, 250V~, T125/55	10A, 125VAC; 8A, 250VAC; 1/4HP, 125/250VAC	10,000	6,000



UL File No.: E23301  
RoHS compliant





# ROUND ROCKER SWITCH

## RR Series



### Features

- Single-pole and double-pole configurations
- Lighted and non-lighted options
- Available in a wide variety of colors
- High current switching in a compact round package
- Self-locking tabs to fit industrystandard panel cut-outs
- Mechanical life: min. 100,000 operations

### Specifications

#### Electrical

Dielectric Strength:	1000VAC for 1 minute
Insulation Resistance:	10 <sup>8</sup> ohms min at 500VDC
Initial Contact Resistance:	.020 ohms max
Ambient temperature:	-20°C to +125°C

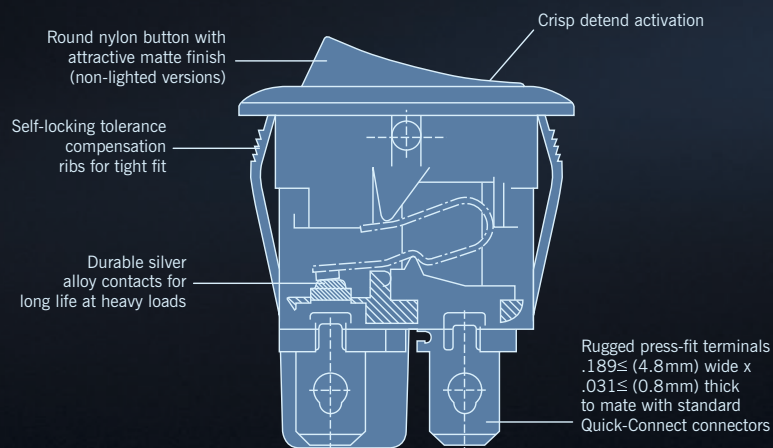
#### Materials

Actuator (non-lighted):	Nylon 66 94V-2
Actuator (lighted):	Polycarbonate
Base:	Nylon 66 94V-2
Contacts:	Silver Alloy
Movable Arm:	Copper Alloy
Terminals:	Tin-Plated Copper Allo

### Electrical Ratings

Switch Series	EN61058 Rating	UL1054 Rating	Electrical Life at Rated Load	
			According to VDE (Min. Operations)	According to UL (Min. Operations)
RR	10(4)A, 250V~, $\mu$ T125/55	10A, 125VAC; 8A, 250VAC, 1/4 HP; 125/250VAC	10,000	6,000


 UL File No.: E23301  
 RoHS compliant







## Examples of Common Part Numbers and Descriptions inches (mm)

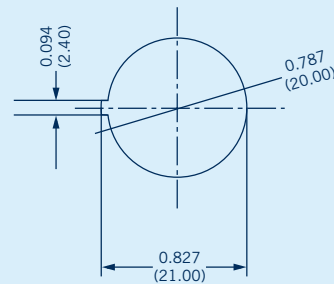
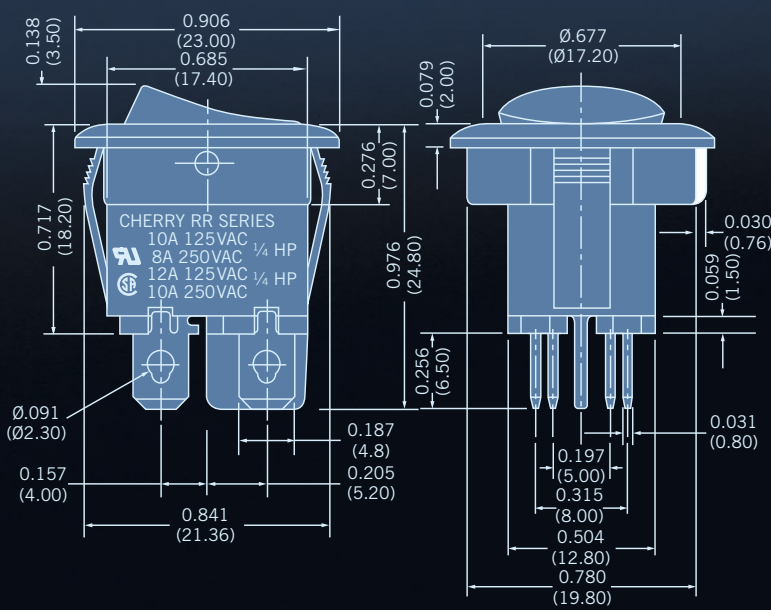
Part Number	Circuitry	Switch Function	Terminal Type	Actuator/Housing Color	Legend Marking
RRA22H3BBBNN		On – Off	0.187 (4.80) Quick-Connect	Black/Black	
RRA32H3FBBNN		On – Off	0.187 (4.80) Quick-Connect	Black/Black	
RRA22H3FBRNN		On – Off	0.187 (4.80) Quick-Connect	Red/Black	
RRA22H3BBRLN		On – Off/Lighted	0.187 (4.80) Quick-Connect	Red/Black	
RRA32H3BBRLN		On – Off/Lighted	0.187 (4.80) Quick-Connect	Red/Black	

## Ordering Information

<b>RR</b>	<b>A</b>	<b>2</b>	<b>2</b>	<b>H</b>	<b>3</b>	<b>F</b>	<b>B</b>	<b>B</b>	<b>N</b>	<b>N</b>
<b>Series</b>	<b>Code</b> <b>Circuitry</b>	<b>Code</b> <b>Switch Function</b>	<b>Code</b> <b>Actuator Type</b>	<b>Code</b> <b>Actuator Marking</b>	<b>Code</b> <b>Housing Color</b>	<b>Code</b> <b>Actuator Color</b>	<b>Code</b> <b>Lighted</b>	<b>Code</b> <b>Body Type</b>		
	2 Single-Pole 3 Double-Pole	2 On – Off	3 Round	B Blank D OFF NO E O I F O I G .	B Black W White Y Grey	B Black G Green A Amber R Red W White Y Grey	N Non-Lighted L Lighted (Bulb 125VAC) E Lighted (Bulb 250VAC) G Lighted 6VDC Incandescent H Lighted 12VDC Incandescent	N No Splashproof Rocker Boot		
<b>Code</b> <b>Contact Rating</b>										
A 10A, 125VAC; 8A, 250VAC; 1/4HP, 125/250VAC (UL) 12A, 125VAC; 10A, 250VAC; 1/4HP, 125/250VAC (CSA) 10(4)A, 250V~, $\mu$ T125/55 (VDE)										
<b>Code</b> <b>Terminal Type</b> inches (mm)										
H 0.187 (4.8) QC L PC Thru-Hole Right Angle M PC Thru-Hole Straight										

Specifications subject to change without notice.

## Dimensions inches (mm)



## Panel Cut-Out Dimensions for Panel Thickness

inches (mm)

0.039 to 0.078  
(1.00 to 2.00)

# ROUND ROCKER SWITCH FOR HIGHER LOADS

## SR Series



### Features

- 20 amp switching in a compact design
- Available in a variety of colors
- Self-locking tabs and anti-rotation pin for snug fit
- Mechanical life: min. 50,000 operations

### Specifications

#### Electrical

Dielectric Strength:	1000VAC for 1 minute
Insulation Resistance:	10 <sup>8</sup> ohms min at 500VDC
Initial Contact Resistance:	0.020 ohms max
Ambient temperature:	-20°C to +65°C

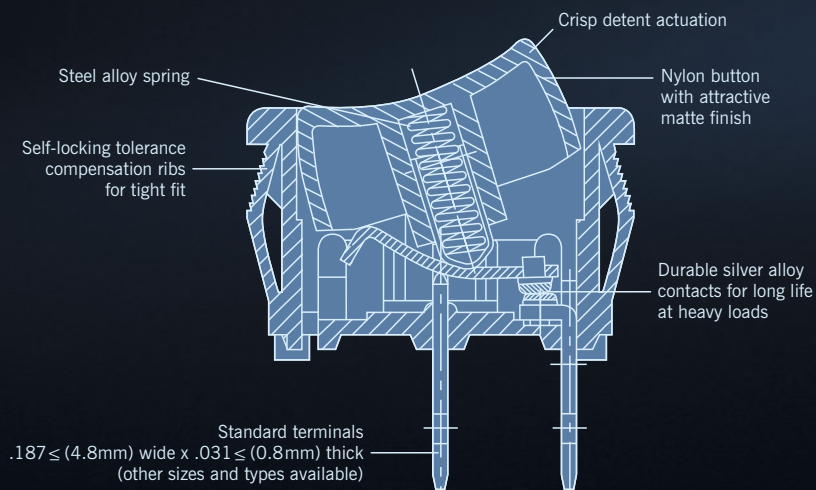
#### Materials

Actuator:	Nylon 66 94V-2
Base:	Nylon 66 94V-2
Contacts:	Silver Alloy
Movable Arm	Silver-Plated Copper Alloy
Terminals:	Tin-Plated Copper Alloy

### Electrical Ratings

Switch Series	EN61058 Rating	UL1054 Rating	Electrical Life at Rated Load	
			According to VDE (Min. Operations)	According to UL (Min. Operations)
SR	N/A	20A, 125VAC; 12A, 250VAC	N/A	6,000


 UL File No.: E23301  
 RoHS compliant







## PR Series

### Features

- Smallest agency-approved panel-mount power rocker switch
- Available in a variety of colors
- Low-profile design
- Mechanical life: min. 50,000 operations

### Specifications

#### Electrical

Dielectric Strength:	1000VAC for 1 minute
Insulation Resistance:	10 <sup>8</sup> ohms min at 500VDC
Initial Contact Resistance:	20μ ohms max
Ambient temperature:	-20°C to +100°C

#### Materials

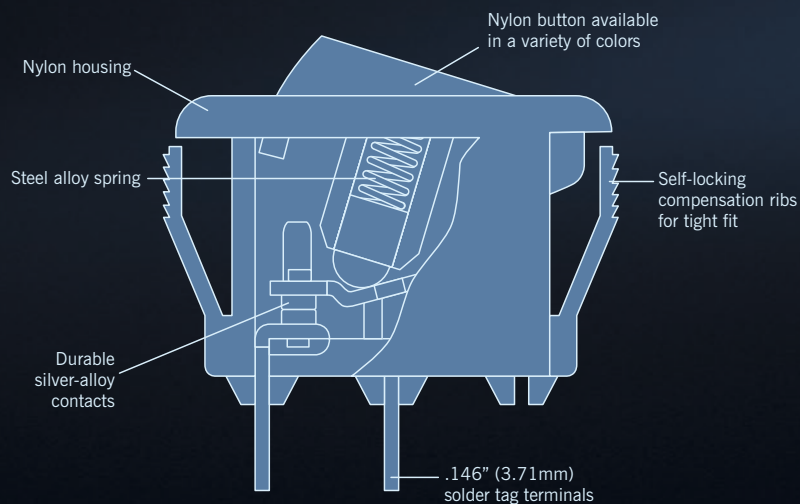
Actuator:	Nylon 66 94V-2
Base:	Nylon 66 94V-2
Spring:	Piano Wire
Contact:	Silver Alloy
Terminals:	Silver-Plated Copper Alloy

### Electrical Ratings

Switch Series	EN61058 Rating	UL1054 Rating	Electrical Life at Rated Load	
			According to VDE (Min. Operations)	According to UL (Min. Operations)
PR	3A, 250VAC, T100/55	6A, 125VAC, 3A 250VAC	10,000	6,000



 UL File No.: E23301  
 RoHS compliant





## Examples of Common Part Numbers and Descriptions inches (mm)

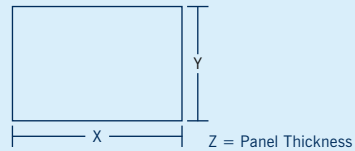
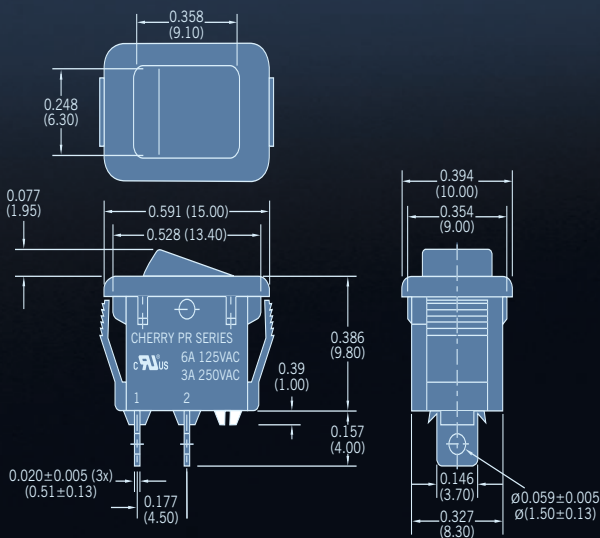
Part Number	Circuitry	Switch Function	Terminal Type	Actuator/Housing Color	Legend Marking
PRK22J5BBBNN		On – Off	0.146 (3.71) Solder Tag	Black/Black	
PRK22J5DBBNN		On – Off	0.146 (3.71) Solder Tag	Black/Black	

## Ordering Information

<b>PR</b> Series	<b>K</b> Code 2 Circuitry Single-Pole	<b>2</b> Code 2 Switch Function On – Off	<b>J</b> Code 5 Actuator Type Flat	<b>B B</b> Code B W Y Housing Color Black White Grey	<b>B N</b> Code N Lighted Non-Lighted	<b>N</b> Code N Body Type No Splashproof Rocker Boot
<b>K</b> Code 6A 125VAC, 3A 250VAC (UL, cUL) 3A 250V~ T100/55 (VDE)	<b>J</b> Code 0.146 (3.71) Terminal Type inches (mm) Solder Tag	<b>C</b> Code B C D E F G Actuator Marking Blank LO OFF O O •	<b>B</b> Code B R W Y Actuator Color Black Red White Grey			

Specifications subject to change without notice.

## Dimensions inches (mm)



## Recommended Panel Cut-Out Dimensions

inches (mm)		
Dim. Z	Dim. X	Dim. Y
0.030 to 0.049 (0.76 to 1.25)	0.535 (13.60)	0.362 ±.004 (9.20 ±0.10)
0.049 to 0.079 (1.25 to 2.01)	0.539 (13.70)	0.362 ±.004 (9.20 ±0.10)
0.079 to 0.098 (2.01 to 2.50)	0.543 (13.80)	0.362 ±.004 (9.20 ±0.10)

# WATERPROOF ROCKER & PUSHBUTTON SWITCH

## K Series



### Features

- Enclosed switches complying to IP56 or IP65
- AC and DC electrical ratings
- Lighted and non-lighted versions
- Variety of UL and VDE approvals
- Snap-in mounting

### Applications Include

### Specifications

#### Electrical

Dielectric Strength:	1500VAC for 1minute
Insulation Resistance:	10 <sup>8</sup> ohms min at 500VDC
Initial Contact Resistance:	0.050 ohms max
Max ambient temperature:	85°C

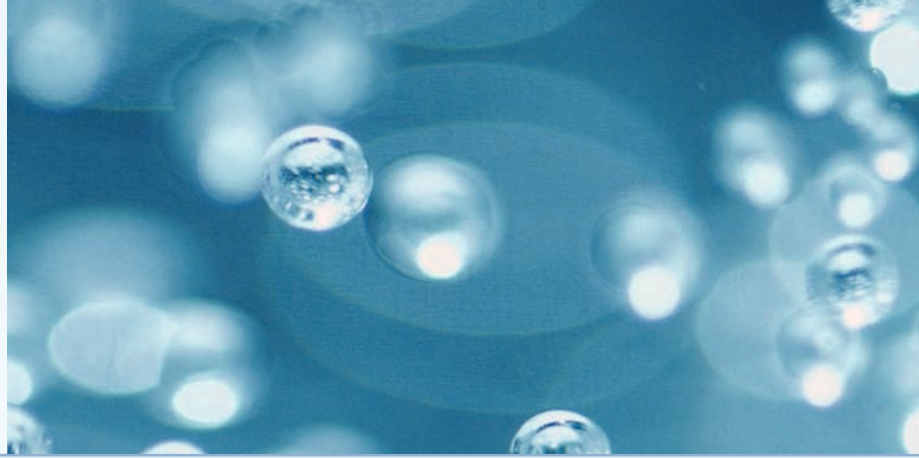
### Electrical Ratings

Switch Series	VDC Rating	EN61058 Rating*	UL1054 Rating**
KF	20A 14VDC; 10A 28VDC		10A 125VAC; 6A 250VAC; 1/2HP 125-250VAC
KD	20A 14VDC; 10A 28VDC		16A 125VAC; 10A 250VAC
KC	20A 14VDC; 10A 28VDC	10(4)A 250V	16A 125VAC; 10A 250VAC
KR	_____		16A 125VAC 1/3HP; 10A 250VAC 1/2HP; 16A 12V DC; 6A 28V DC
KS	21A, 14VDC		16A 125VAC; 10A 277VAC; 3/4HP 125-277VAC
KG	21A, 14VDC		20A125VAC; 10A 250VAC
KT	21A, 14VDC	10(4)A 250V	20A125VAC 1/3HP; 10A 250VAC 3/4HP
KM	_____	21A 14VDC; 20A 125VAC; 10A 250VAC (no approvals)	_____

\* According to VDE, electrical life at rated load = 10,000 min. operations

\*\* According to UL, electrical life at rated load = 6,000 min. operations

UL File No.: E23301  
RoHS compliant



## Switch Specifications

KG Series	KR Series	KF Series	KM Series	KT Series	KC Series	KD Series	KS Series
							
Rocker	Rocker	Pushbutton	Rocker	Rocker	Rocker	Rocker	Rocker
<b>Approvals</b>							
UL	UL	UL	–	UL/VDE	UL/VDE	UL	UL
<b>Approximate Panel Cut-out</b>							
1.449" X 0.835" (36.80 x 21.20mm)	0.780" x 0.512" (19.80 x 13.00mm)	Round 0.795" (20.20mm) dia.	1.449" X 0.835" (36.80 x 21.20mm)	1.454" x 0.602" (36.8 x 15.2mm)	Round 0.795" (20.20mm) dia.	Round 0.795" (20.20mm) dia.	1.449" X 0.835" (36.80 x 21.20mm)
<b>Protection Rating</b>							
<b>IP56</b>	<b>IP65</b>	<b>IP65</b>	<b>IP56</b>	<b>IP56</b>	<b>IP56</b>	<b>IP56</b>	<b>IP56</b>
<b>Poles &amp; Throws</b>							
SPST	SPST	SPST	SPST	SPST	SPST	DPST	SPST
SPDT	SPDT	DPST	SPDT	SPDT		DPDT	SPDT
DPST			DPST				DPST
DPDT			DPDT				DPDT
<b>Switch Functions</b>							
On - Off	On - Off	On - Off	On - Off	On - Off	On - Off	On - Off	On - Off
On - On	On - On	(On) - Off	On - On	On - On		On - On	On - On
On - Off - On	(On) - Off		On - Off - On	On - Off - On		On - Off - On	
(On) - Off			(On) - Off				
On - (Off)			On - (Off)				
On - (On)			On - (On)				
On - Off - (On)			On - Off - (On)				
(On) - Off - (On)			(On) - Off - (On)				
<b>Terminal Options</b>							
0.250" (6.35mm)	0.187" (4.75mm)	0.187" (4.75mm)	0.250" (6.35mm)	0.250" (6.35mm)	0.187" (4.75mm)	0.187" (4.75mm)	0.250" (6.35mm)
Quick Connect	Quick Connect	Quick Connect	Quick Connect	Quick Connect	Quick Connect	Quick Connect	Quick Connect
Screw (No. 6-32UNC)					Solder (Round) 0.173" (4.4mm) dia.		Screw (No. 6-32UNC)
Solder (Square) 0.189" (4.8mm)					PC Through-hole Straight		Solder (Square) 0.189" (4.8mm)
<b>Lighted Version Available</b>							
No	Yes	Yes	Yes	Yes	Yes	Yes	No

**ZF Friedrichshafen AG**

Cherrystraße  
91275 Auerbach  
Germany  
Phone: +49 96 43 18-0  
Fax: +49 96 43 18 17 20  
switches@cherry.de  
www.cherry.de

**ZF Electronics Corporation**

11200 88th Avenue  
Pleasant Prairie, Wisconsin  
USA 53158-0913  
Phone: +1 262 942 6500  
Fax: +1 262 942 6566  
www.cherrycorp.com

**ZF Electronics Asia Limited**

13 / F, Blk. A, North Point Ind. Bldg.  
499 King's Road, North Point  
Hong Kong  
Phone: +852 2565 6678  
Fax: +852 2565 6827

**ZF Electronics TVS (India) Private Limited**

Madurai - Melur Road,  
Vellaripatti, Madurai - 625 122  
India  
Phone: +91 452 2420218  
Fax: +91 452 2420382

Errors, technical changes, and delivery possibilities subject to change. Technical data is based on the specifications of the products only. Features are not guaranteed herewith. Binding data can be found only in drawings in conjunction with product specifications.

801278; 45610414; E; 12/2011; 2,5; FLI  
© 2011 ZF Friedrichshafen AG

