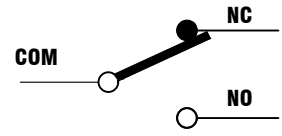
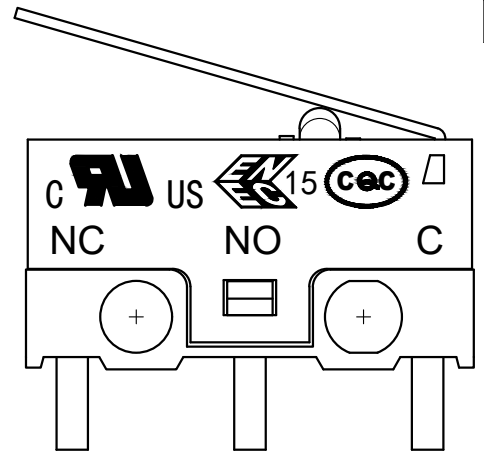
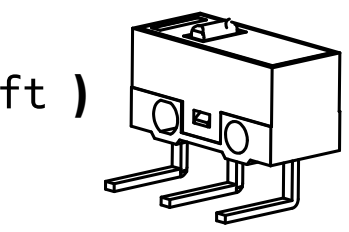


(Left)



Circuit Diagram

35 1 P
Zhuhai/China
2021 Year
35 Week

The date code could be printed on each lateral side randomly

GENERAL CHARACTERISTICS

Operating Force	Max. 45gf
Release Force	Min. 10gf
Contact Resistance	Max. 50mΩ
Insulation Resistance	Min. 100MΩ 500VDC
Dielectric Voltage	AC500V 60 Sec.
Mechanical Life	1,000,000 Cycles
Electrical Life	25,000 Cycles
Rating	3(0.5)A 125/250VAC
Operating Temperature	-25 to 125°C

NO.	PARTS	MATERIALS
01	COVER	PBT 94V0
02	BASE	PBT 94V0
03	ACTUATOR	PBT 94V0
04	CONTACT	Ag ALLOY
05	MOVING BLADE	COPPER BERYLLIUM
06	TERMINAL (COM)	SILVER PLATE BRASS
07	TERMINAL (NO)	SILVER PLATE BRASS
08	TERMINAL (NC)	SILVER PLATE BRASS
09	AUX. ACTUATOR	SUS

Further details please refer to technical specification TS-DG-00001.
In case there are any deviations the drawing details have priority.



采埃孚电子(珠海)有限公司
ZF Electronics (Zhuhai) Company Limited

3					制图: H.QIN	2020.12.11	TOLERANCE UNLESS SPECIFIED		系列: DG 3A微动开关/SUBMINIATURE SWITCH	图号: DGE3-E4LC				
2				设计: H.QIN	2020.12.11	WITHIN 1.5mm: ±0.1mm OVER 1.5mm: ±0.2mm		料号: DGE3-E4LC		DWG NO. DGE3-E4LC				
1				审核: J.WANG	2020.12.16	材质: MATERIAL	比例: 1:1	角法: PROJ.		张数: 第1页, 共1页	工程图: ENG. DWG	版本: REV.		
MARK.	变更内容: DEFINITION	修改: REVISE	核准: APPROVE	日期: DATE	批准: J.WANG	2020.12.16	单位: mm	比例: SCALE	角法: PROJ.	张数: SHEET	第1页, 共1页	工程图: ENG. DWG	版本: REV.	A0