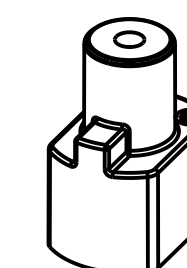
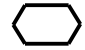


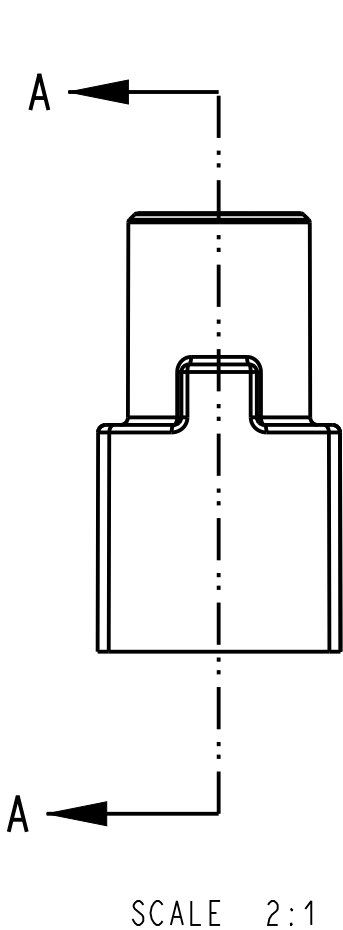
DETAIL Z
SCALE 4:1



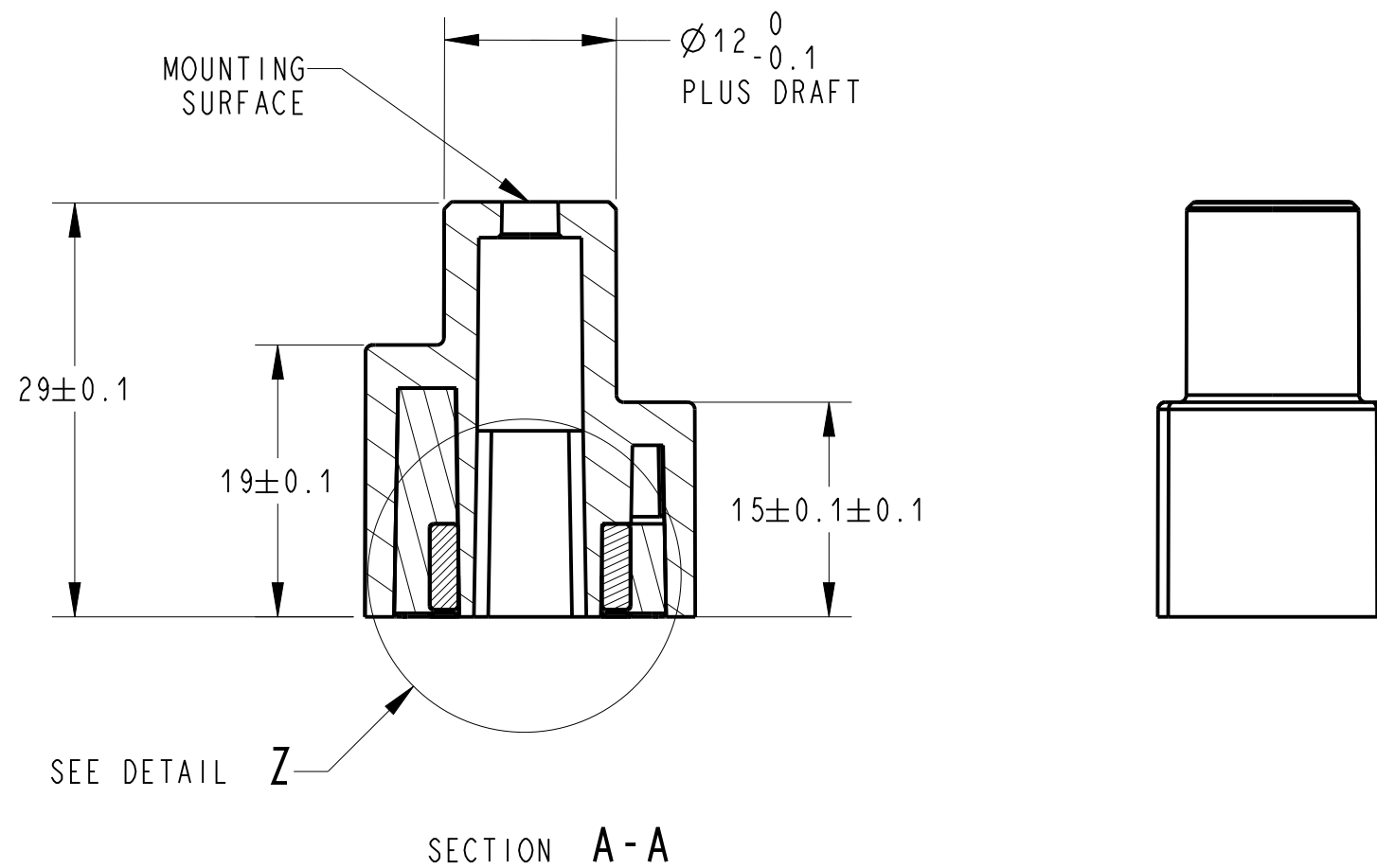
TRIMETRIC VIEW

NOTES:

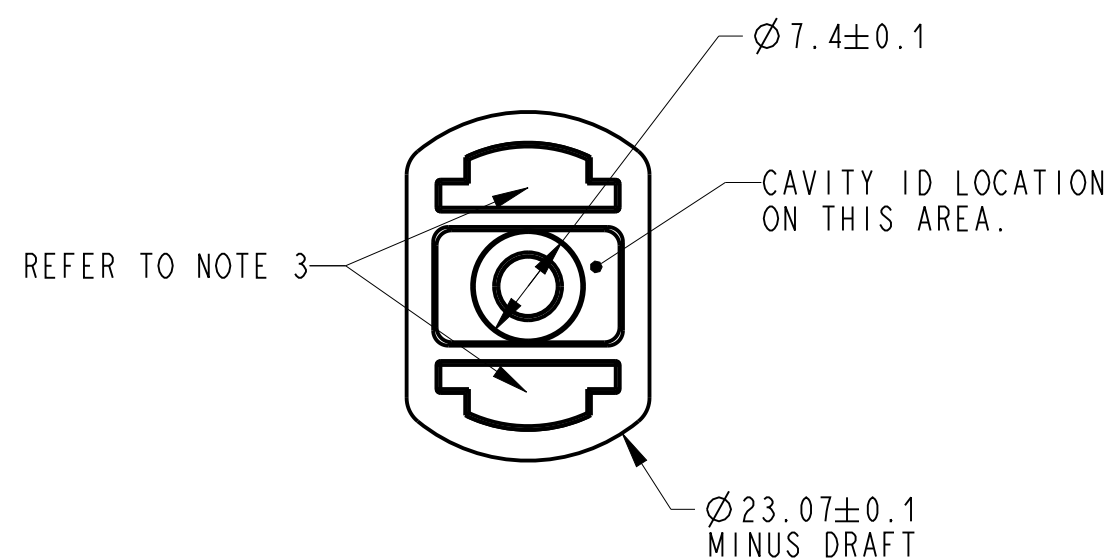
- MAGNETS SHOULD BE PLACED IN THE BOTTOM OF THE MAGNET CARRIER POCKETS AND EPOXIED INTO PLACE WITH HYSOL 4212 EPOXY ADHESIVE.
- THE POLE FACES OF THE MAGNET MUST BE ORIENTED AS SHOWN IN DETAIL VIEW "Z" AND RELATIVE TO KEYING FEATURE AS SHOWN ON DETAIL "Y". MAGNETS MUST BE 100% TESTED FOR MAGNET ORIENTATION.
- EPOXY PERMITTED IN MAGNET POCKETS ONLY. ALL OTHER SURFACES MUST BE EPOXY FREE.
- EPOXY MUST COMPLETELY COVER THE MAGNETS BUT REMAINS BELOW THE HOUSING SURFACE.
- THE SYMBOL  WITH INCLUDED NUMBER INDICATES THE SEQUENCE OF NOTING INSPECTION REPORTS.
- PARTS SHALL BE CLEAN AND FREE OF CRACKS, FOREIGN MATTER, DISCOLORATION, CHIPS, WELD OR FLOW LINES AND WARPAGE UNLESS APPROVED BY ZF DESIGN ENGINEERING.
- BOTH MAGNETS WITHIN THE MAGNET CARRIERS SHALL BE FROM THE SAME MATERIAL LOT TO REDUCE MAGNET TO MAGNET VARIATION.
- RECOMMENDED FASTNER AND TORQUE: M4 CAP SCREW 2.82 Nm (25 LBS-IN)



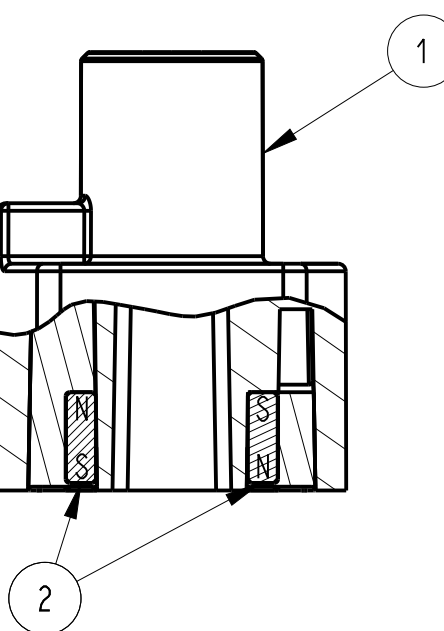
SCALE 2:1




SECTION A-A



MAGNET CARRIER KEYING FEATURE



DETAIL Y
VIEW SHOWING MAGNET POLES
IN RELATION WITH THE CARRIER
KEYING FEATURE

DWN: AF	CONFIDENTIAL AND PROPRIETARY: ALL INFORMATION OR INVENTIONS CONTAINED IN THIS DOCUMENT OR DERIVED FROM THE INFORMATION THEREIN IS OWNED BY ZF ELECTRONIC SYSTEMS, AND IS CONFIDENTIAL AND PROPRIETARY. REVIEW OR POSSESSION OF THIS DOCUMENT INDICATES AGREEMENT THAT SUCH INFORMATION AND INVENTIONS WILL NOT BE DISCLOSED, REPRODUCED OR OTHERWISE USED IN ANY WAY WITHOUT EXPRESS WRITTEN PERMISSION FROM AN AUTHORIZED REPRESENTATIVE OF ZF ELECTRONIC SYSTEMS.	 ZF Electronic Systems PLEASANT PRAIRIE, WISCONSIN U.S.A.
APVD: SM		
DATE: 08-NOV-05		
THIRD ANGLE PROJECTION		

TOLERANCE UNLESS SPECIFIED		
DWG UNITS	X.X	X.XX
mm	± 0.30	± 0.100
ANGLES	± 1.0°	

NAME / DESCRIPTION	MAGNET CARRIER
ITEM NO.	AS500106
SCALE:	1:1
SH	1 OF 1

E	Z000534681	2020-02-06	TCH	TB
REV	ECO NO.	DATE	PREP	APVD

PROJECT/ CSR	
--------------	--

C	ITEM NO.	AS500106
---	----------	----------

SCALE:	1:1	SH	1 OF 1
--------	-----	----	--------

ORIGINAL ON PRO/E