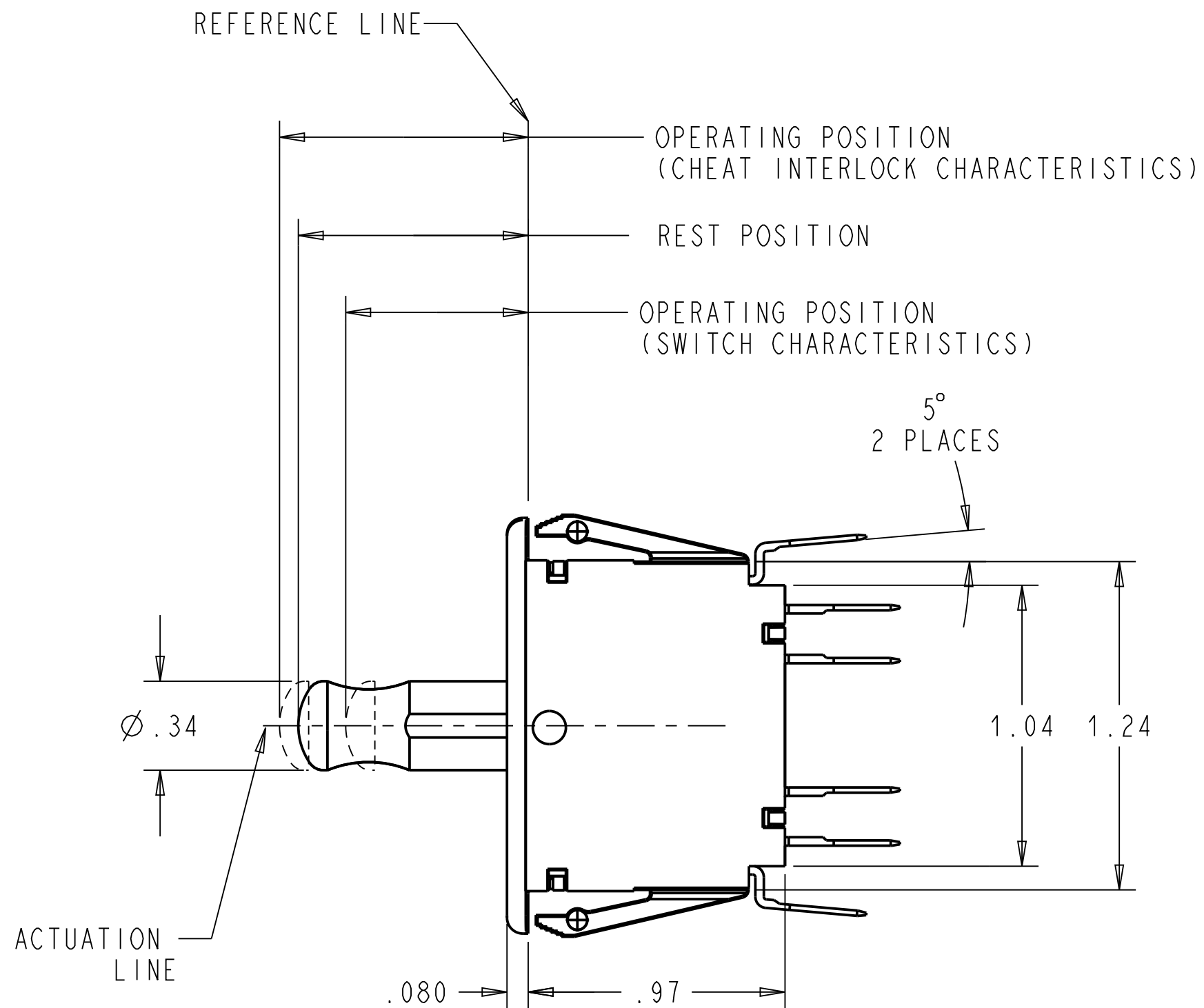
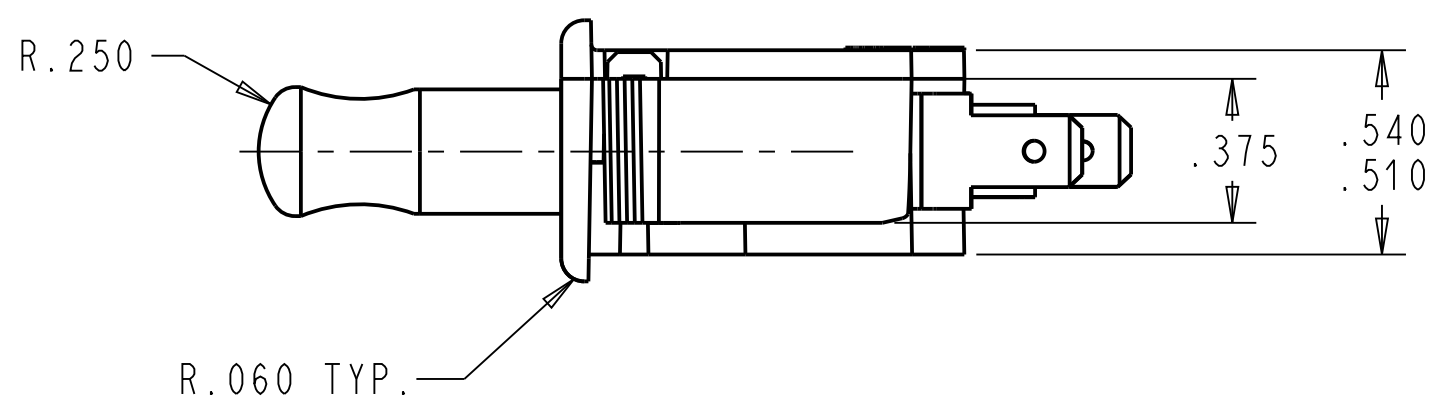
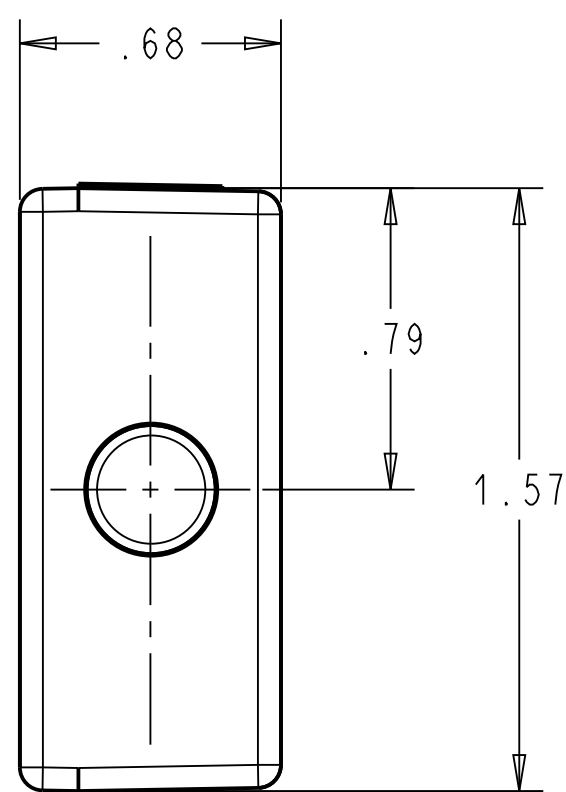


PANEL CUTOUT DETAIL
RECOMMENDED
PANEL THICKNESS
.045-.100



NOTES (UNLESS OTHERWISE SPECIFIED):

1. SWITCH CHARACTERISTICS:

REST POSITION:	.730 TO .790
PRETRAVEL:	.125 MAX.
OPERATING POSITION:	.610 TO .710
OVER-TRAVEL:	.100 MIN.
MOVEMENT DIFF:	.075 MAX.
OPERATING FORCE grams	737 MAX.

BUTTON POSITION AT FULL OVERTRAVEL.	.520 MAX.
--	-----------

ALL CHARACTERISTICS ARE TAKEN AT THE ACTUATION LINE AND MEASURED FROM THE REFERENCE LINE.

CHEAT INTERLOCK CHARACTERISTICS:

REST POSITION:	.730 TO .790
PRETRAVEL:	.155 MAX.
OPERATING POSITION:	.800 TO .900
OVER-TRAVEL:	.030 MIN.
MOVEMENT DIFF:	.090 MAX.
FULL OVERTRAVEL:	.980 MAX.
OPERATING FORCE grams	800 MAX.

2. ELECTRICAL RATING:

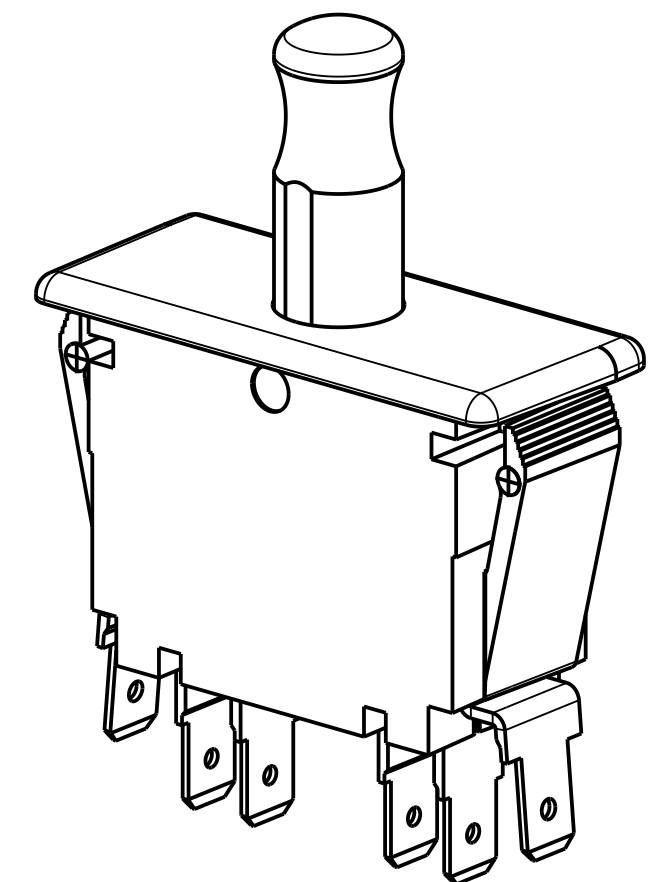
10 A, 125/250 VAC
1/3 HP, 125/250 VAC.

10(4) A 250V, 50E3, 40T85.

3. TERMINALS:
ARE .187 WIDTH x .020 THICKNESS.

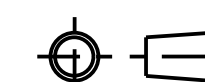
4. RECOGNIZED TO U.S. AND CANADIAN REQUIREMENTS
UNDER THE COMPONENT RECOGNITION PROGRAM OF
UNDERWRITERS LABORATORIES, INC.

5. TEMPERATURE RATING:
-40°C TO +85°C



DWN: J. DOLNIK
APVD: RC
DATE: 2003-04-28

THIRD ANGLE PROJECTION



CONFIDENTIAL AND PROPRIETARY:
ALL INFORMATION OR INVENTIONS CONTAINED IN THIS
DOCUMENT OR DERIVED FROM THE INFORMATION THERE
IN IS OWNED BY ZF ELECTRONIC SYSTEMS, AND IS
CONFIDENTIAL AND PROPRIETARY. REVIEW OR
POSSESSION OF THIS DOCUMENT INDICATES AGREEMENT
THAT SUCH INFORMATION AND INVENTIONS WILL NOT BE
DISCLOSED, REPRODUCED OR OTHERWISE USED IN ANY
WAY WITHOUT EXPRESS WRITTEN PERMISSION FROM AN
AUTHORIZED REPRESENTATIVE OF ZF ELECTRONIC
SYSTEMS.



ZF Electronic Systems

PLEASANT PRAIRIE, WISCONSIN U.S.A.

NAME / DESCRIPTION
SPECIFICATION DRAWING

E	Z000714808	2023-11-30	TCH	ELL
REV	ECO NO.	DATE	PREP	APVD

PROJECT / CSR	DWG UNITS	X.XX	X.XXX	ANGLES
4000000138	INCH	± 0.02	± 0.015	± 5.0 °

TOLERANCE UNLESS SPECIFIED
INCH ± 0.02 ± 0.015 ± 5.0 °

C	ITEM NO.	OF79-66A0
SCALE:	2:1	SH 1 OF 1

ORIGINAL ON PRO/E