

Miniature Switch



D3 Series

Features

- Precise snap action switch
- Contact gap > 3 mm
- Long life coil spring mechanism
- Switching current up to 10 A at 250 VAC
- Temperature range: -40 °C to max. +85 °C
- Protection class: IP40
- Various aux actuators
- Various terminal types

Order Code Matrix

Order code on request. For specific part numbers, please contact the factory: switches-sensors@zf.com

Electrical Specifications – Contact Ratings

Switch series	EN IEC 61058-1	Electrical life	UL 1054	Electrical life
D3F	10 (10)A, 250 VAC	50,000	10 A, 125-250 VAC	10,000

Environmental and Mechanical Specifications

Operating force	500 cN
Mechanical life	1x 10 ⁶ operations
Temperature range	-40 °C to +85 °C
Protection class	IP40

Material Specifications

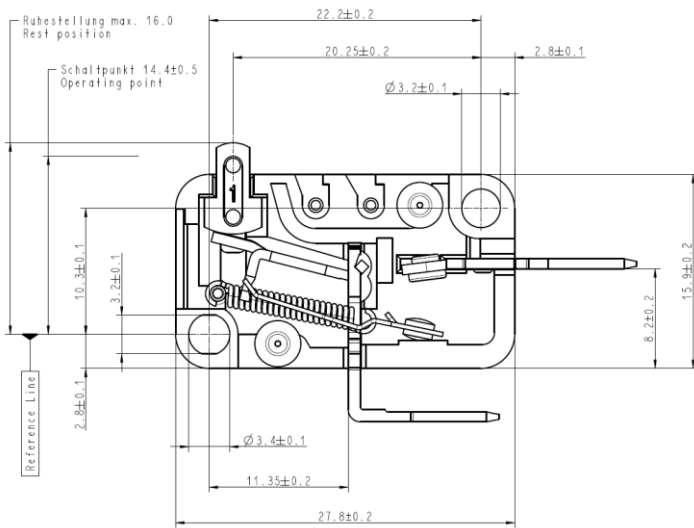
Housing/cover	PET (UL 94 V-0)
Actuator	POM
Contacts	AgNi
Terminals	CuZn
Auxiliary actuator	Nickel plated steel, stainless steel

<https://switches-sensors.zf.com/>

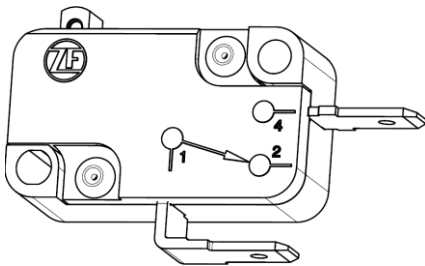
Page 1 of 2, Last update 2024-11-05, Specifications subject to change without notice. In case there are any deviations, the drawing details have priority.



Dimensions in mm and Terminal Configurations



Q1



S8

