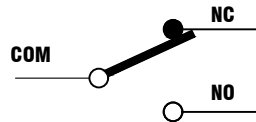
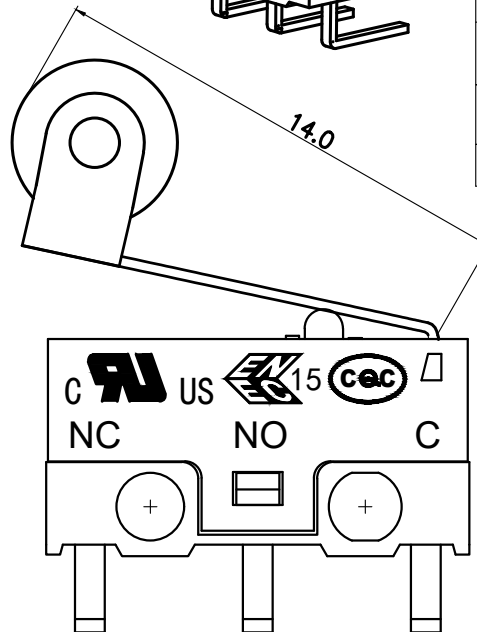
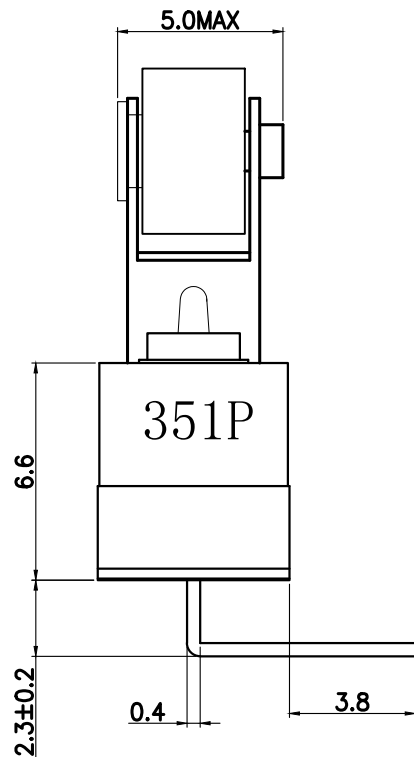
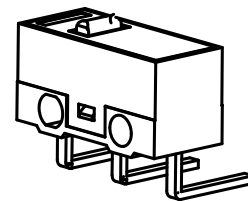


( Right )



35 1 P  
Zhuhai/China  
2021 Year  
35 Week

The date code could be printed on each lateral side randomly

GENERAL CHARACTERISTICS

Operating Force	Max. 60gf
Release Force	Min. 4gf
Contact Resistance	Max. 50mΩ
Insulation Resistance	Min. 100MΩ 500VDC
Dielectric Voltage	AC500V 60 Sec.
Mechanical Life	1,000,000 Cycles
Rating (UL/ENEC Certified)	0.1(0.1)A, 125/250VAC 25,000 Cycles
Rating (Not UL/ENEC Certified)	50mA, 30VDC 200,000 Cycles
Operating Temperature	-25 to 125°C

NO.	PARTS	MATERIALS
01	COVER	PBT 94V0
02	BASE	PBT 94V0
03	ACTUATOR	PBT 94V0
04	CONTACT	Au ALLOY
05	MOVING BLADE	COPPER BERYLLIUM
06	TERMINAL (COM)	SILVER PLATE BRASS
07	TERMINAL (NO)	SILVER PLATE BRASS
08	TERMINAL (NC)	SILVER PLATE BRASS
09	AUX. ACTUATOR	SUS
10	RIVET	BRASS
11	ROLLER	ZINE ALLOY

Further details please refer to technical specification TS-DG-00001.  
In case there are any deviations the drawing details have priority.

Circuit Diagram



采埃孚电子(珠海)有限公司  
ZF Electronics (Zhuhai) Company Limited

MARK.	DEFINITION	REVISION	APPROVE	DATE	APPROVE	DATE	UNIT	SCALE	PROJ.	SHEET	REV.
3			制图:	H,QIN	2020.12.11		TOLERANCE				
2			设计:	H,QIN	2020.12.11		UNLESS SPECIFIED				
1			审核:	J.WANG	2020.12.16		WITHIN 1.5mm: ±0.1mm				
			批准:	J.WANG	2020.12.16		OVER 1.5mm: ±0.2mm				

系列	DG 0.1A微动开关/SUBMINIATURE SWITCH
料号	DGG3-E5RD
图号	DGG3-E5RD
比例	1:1
张数	第1页, 共1页
工程图	版本: A0