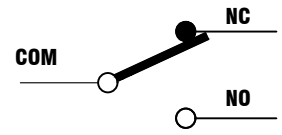
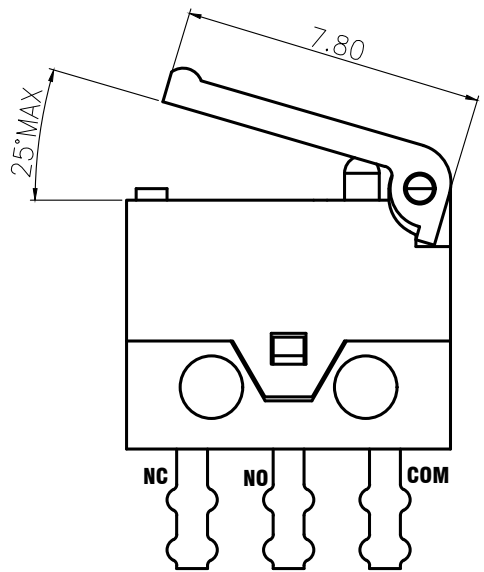
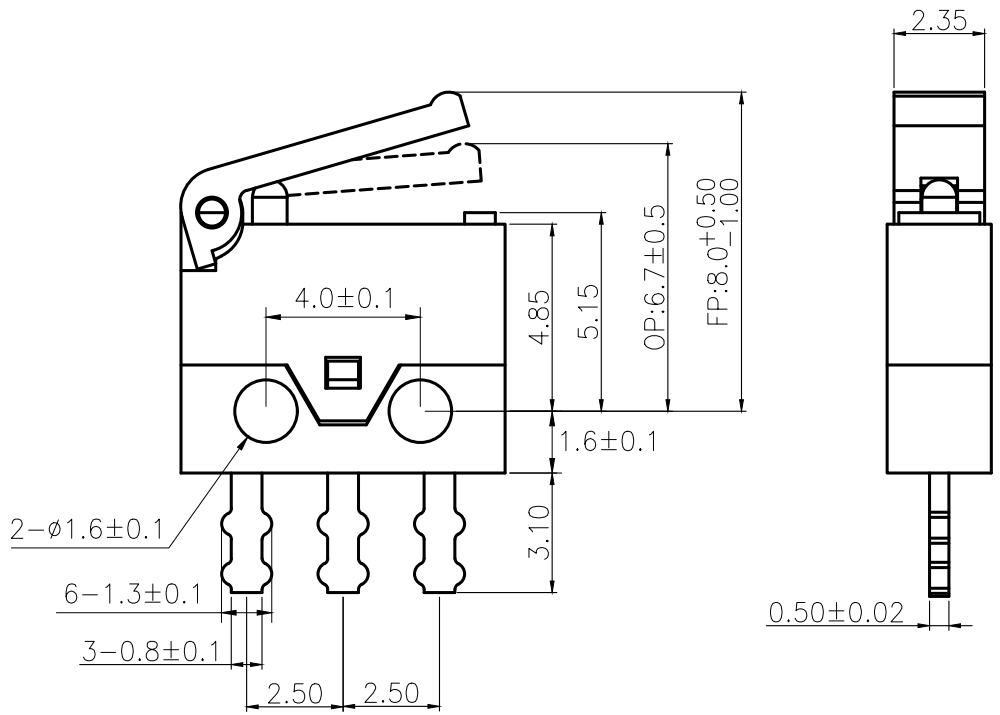
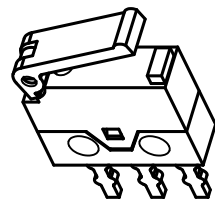
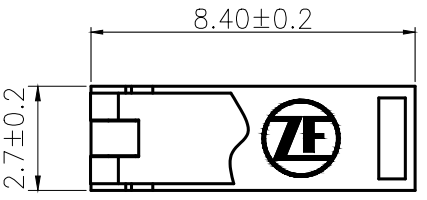


GENERAL CHARACTERISTICS

Operating Force	Max. 50gf
Release Force	Min. 3gf
Contact Resistance	Max. 50mΩ
Insulation Resistance	Min. 100mΩ 500VDC
Dielectric Voltage	500VAC 60 Sec.
Mechanical Life	50,000 Cycles
Electrical Life	30,000 Cycles
Rating	5-50mA 30VDC
Operating Temperature	-25 to 85°C



Circuit Diagram

NO.	PARTS	MATERIALS
01	COVER	PA
02	BASE	PPA
03	ACTUATOR	PBT
04	AUX. ACTUATOR	PA46
05	CONTACT	Au ALLOY
06	MOVING BLADE	COPPER BERYLLIUM
07	TERMINAL (COM)	SILVER PLATE BRASS
08	TERMINAL (NO)	SILVER PLATE BRASS
09	TERMINAL (NC)	SILVER PLATE BRASS



采埃孚电子(珠海)有限公司
ZF Electronics (Zhuhai) Company Limited

MARK.	DEFINITION	REVISION	APPROVE	DATE	APPROVE	UNIT	SCALE	PROJ.	SHEET	REV.
3					制图: DRAW	H,QIN	2020.12.11	TOLERANCE UNLESS SPECIFIED		
2					设计: DESIGN	H,QIN	2020.12.11	WITHIN 1.5mm: ±0.1mm OVER 1.5mm: ±0.2mm		
1					审核: CHECKED	J.WANG	2020.12.16	系列: SERIES	料号: TITLE	图号: DWG NO.
	变更内容	修改	核准	日期	批准:	J.WANG	2020.12.16	材质: MATERIAL	比例: SCALE	张数: SHEET
	DEFINITION	REVISION	APPROVE	DATE	APPROVE	J.WANG	2020.12.16	单位: UNIT	1:1	第1页, 共1页

DH 微动开关/SUBMINIATURE SWITCH		DHGC-B1LA		DHGC-B1LA	
角法: PROJ.	张数: SHEET	第1页, 共1页	工程图: ENG. DWG	版本: REV.	A0