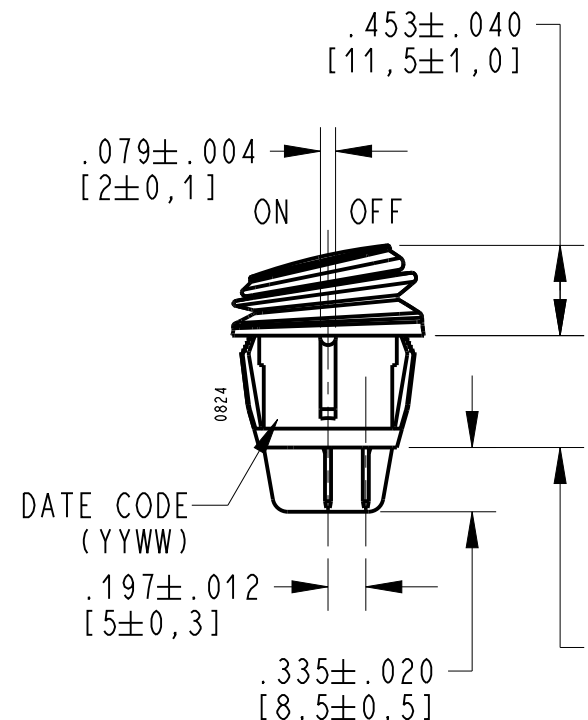
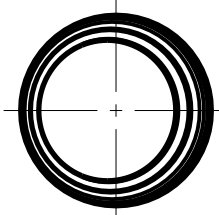


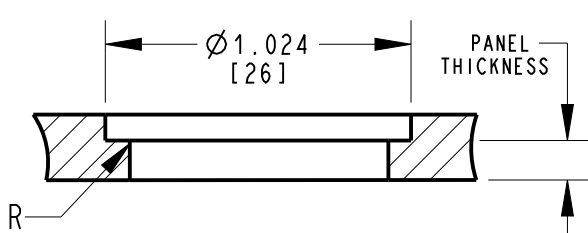
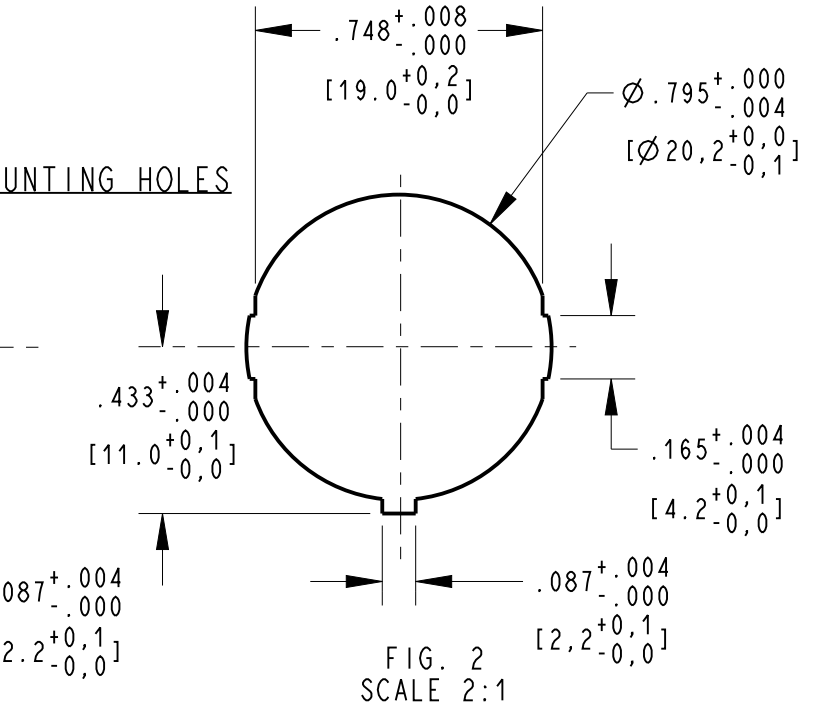
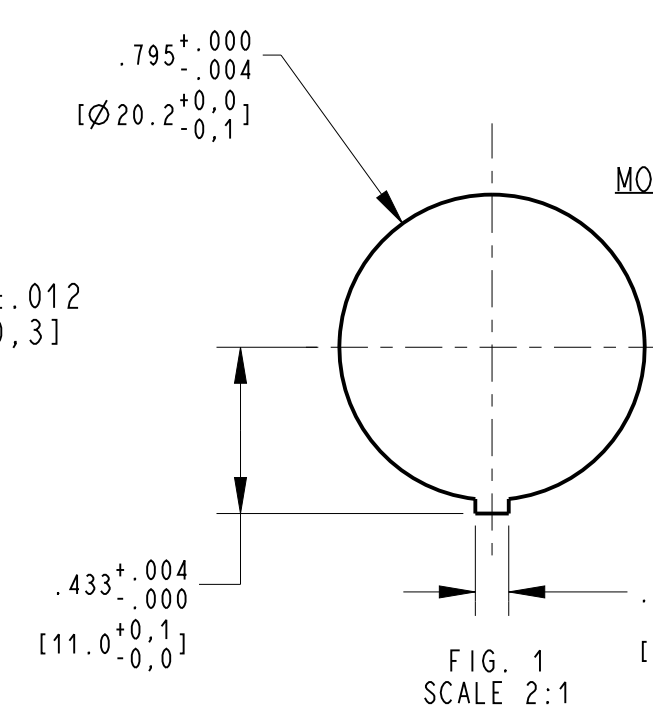
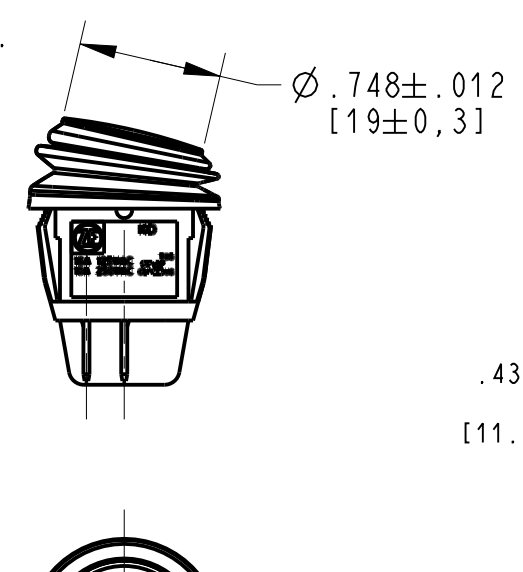
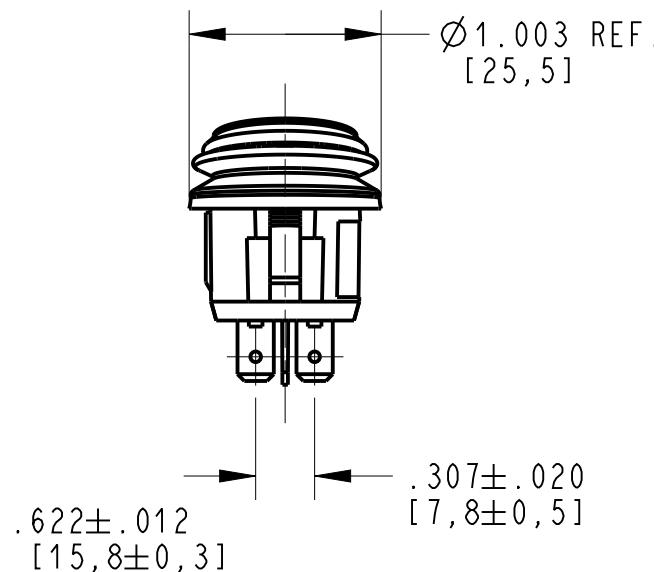
SCALE 3:1

NOTES: (UNLESS OTHERWISE SPECIFIED)

1. RATING: TO BE MARKED ON HOUSING
16A, 125VAC
10A, 250VAC
UL ENDURANCE RATING: 6000 CYCLES.
2. INITIAL CONTACT RESISTANCE: 50m Ω (MAX)
3. INSULATION RESISTANCE: 500 VDC 100M Ω (MIN)
4. DIELECTRIC STRENGTH: 1500 VAC FOR 1 MINUTE.
5. OPERATION TEMPERATURE: -25°C TO +85°C
6. WATERPROOF: IP65 CAPABLE
7. TERMINALS: .031±.001[0,8±0,03] X .189±.004[4,8±0,1]
HOLE Ø .055±.008[1,4±0,2].
8. WATERPROOF RUBBER: BLACK, SILICONE.
9. HOUSING: BLACK, NYLON 66 (94-V2).
10. ACTUATOR: BLACK, PC (94-V2)



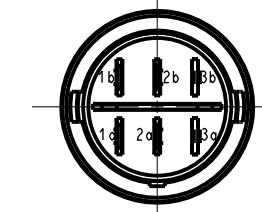
DATE CODE (YYWW)



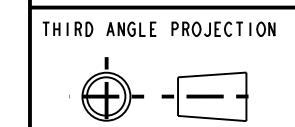
MOUNTING HOLES	
FIG.	PANEL THICKNESS
1	.059 TO .098 [1.5 TO 2.5]
2	.028 TO .098 [0.7 TO 2.5]



SCALE 3:2



DWN: C. RAMOS
APVD: J. RUMMELHART
DATE: 17-Jun-08



CONFIDENTIAL AND PROPRIETARY:
ALL INFORMATION OR INVENTIONS CONTAINED IN THIS DOCUMENT OR DERIVED FROM THE INFORMATION THEREIN IS OWNED BY ZF ELECTRONIC SYSTEMS, AND IS CONFIDENTIAL AND PROPRIETARY. REVIEW OR POSSESSION OF THIS DOCUMENT INDICATES AGREEMENT THAT SUCH INFORMATION AND INVENTIONS WILL NOT BE DISCLOSED, REPRODUCED OR OTHERWISE USED IN ANY WAY WITHOUT EXPRESS WRITTEN PERMISSION FROM AN AUTHORIZED REPRESENTATIVE OF ZF ELECTRONIC SYSTEMS.



ZF Electronic Systems

PLEASANT PRAIRIE, WISCONSIN U.S.A.

NAME / DESCRIPTION
KD-DPST ON-OFF NON-LIGHTED

B ITEM NO. **KDH3ANA1BBB**

TOLERANCE UNLESS SPECIFIED

DWG UNITS	X.XX	X.XXX	ANGLES
INCHES	± 0.02	± 0.012	± 5.0 °

SCALE: 1:1 SH 1 OF 1

H	Z000431981	15-Nov-17	JPD	ELL
REV	ECO NO.	DATE	PREP	APVD

PROJECT/ CSR
N/A