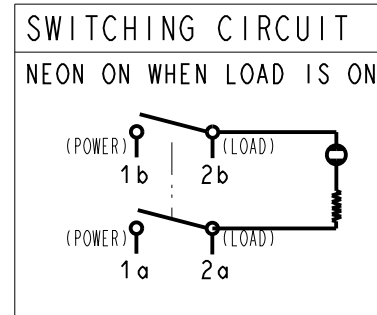


SCALE 3:1



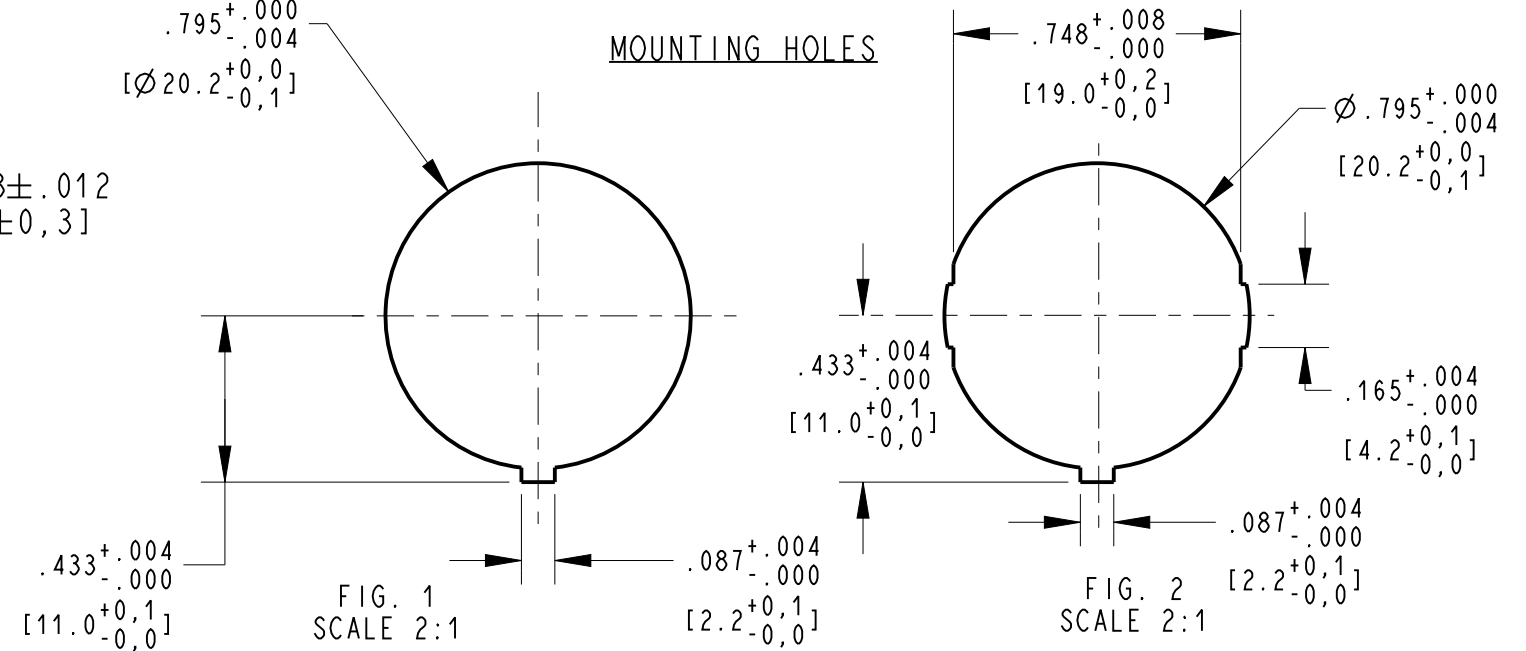
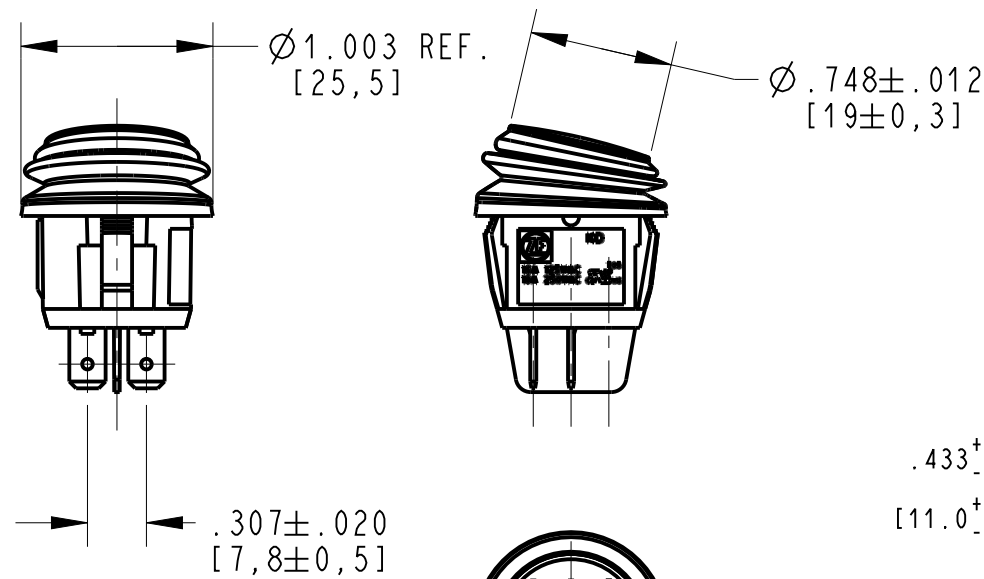
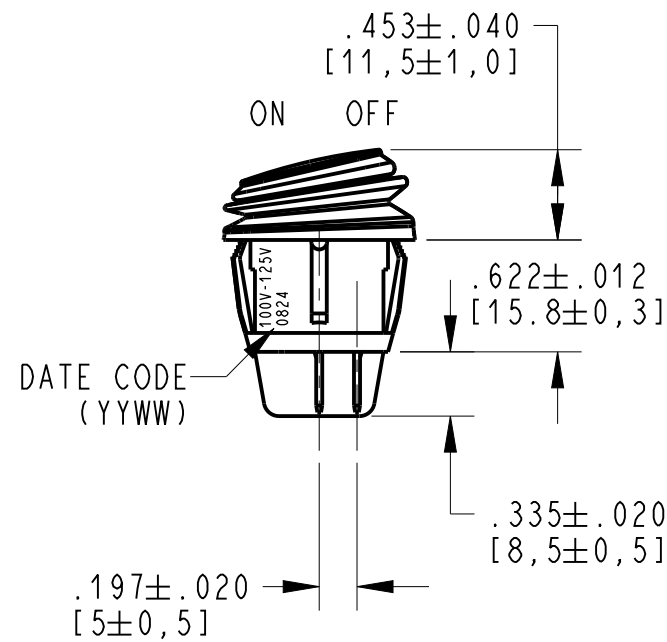
NOTES: (UNLESS OTHERWISE SPECIFIED)

RATING: TO BE MARKED ON HOUSING:

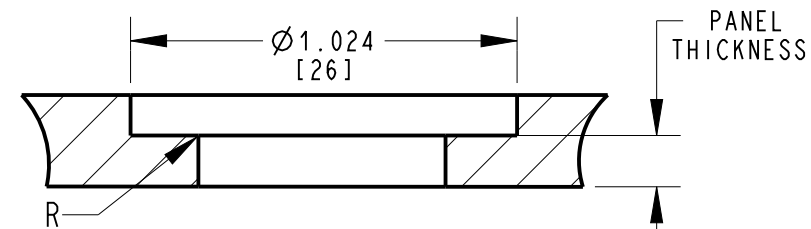
16A, 125VAC
10A, 250VAC

UL ENDURANCE RATING: 6000 CYCLES
INITIAL CONTACT RESISTANCE: 50m Ω (MAX)
INSULATION RESISTANCE: 500 VDC 100M Ω (MIN)
DIELECTRIC STRENGTH: 1500 VAC FOR 1 MINUTE.
OPERATION TEMPERATURE: -25°C TO +85°C
WATERPROOF: IP65 CAPABLE

ACTUATOR: RED CLEAR PC (94-V2)
LIGHTED: DEPENDENT; NEON BULB RATED AT 110VAC.
TERMINALS: .031±.001[0,8±0,03] X .189±.004[4,8±0,1]
HOLE Ø.055±.008[1,4±0,2]
WATERPROOF RUBBER: BLACK SILICONE.
HOUSING: BLACK, NYLON 66 (94-V2).



MOUNTING HOLES	
FIG.	PANEL THICKNESS
1	.059 TO .098 [1.5 TO 2.5]
2	.028 TO .098 [0.7 TO 2.5]

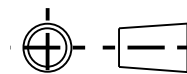


SCALE 3:2

G	Z000431981	15-Nov-17	JPD	ELL
REV	ECO NO.	DATE	PREP	APVD

DWN: C. RAMOS
APVD: J. RUMMELHART
DATE: 17-Jun-08

THIRD ANGLE PROJECTION



PROJECT/ CSR
N/A

CONFIDENTIAL AND PROPRIETARY:
ALL INFORMATION OR INVENTIONS CONTAINED IN THIS DOCUMENT OR DERIVED FROM THE INFORMATION THEREIN IS OWNED BY ZF ELECTRONIC SYSTEMS, AND IS CONFIDENTIAL AND PROPRIETARY. REVIEW OR POSSESSION OF THIS DOCUMENT INDICATES AGREEMENT THAT SUCH INFORMATION AND INVENTIONS WILL NOT BE DISCLOSED, REPRODUCED OR OTHERWISE USED IN ANY WAY WITHOUT EXPRESS WRITTEN PERMISSION FROM AN AUTHORIZED REPRESENTATIVE OF ZF ELECTRONIC SYSTEMS.

TOLERANCE UNLESS SPECIFIED

DWG UNITS	X.XX	X.XXX	ANGLES
INCHES	± 0.02	± 0.012	± 5.0 °



ZF Electronic Systems

PLEASANT PRAIRIE, WISCONSIN U.S.A.

NAME / DESCRIPTION

KD-DPST ON-OFF LIGHTED

B ITEM NO. KDH3ALA2RBB

SCALE: 1:1 SH 1 OF 1

ORIGINAL ON PRO/E