

NOTES (UNLESS OTHERWISE SPECIFIED):

RATING TO BE MARKED ON ROCKER:

- 16A 125/250VAC
- 20A 125VAC
- 3/4HP 125/250VAC
- 16(4)A 250V~T125/55
- 10(2)A 250V~T125/55 50E3
- 16(8)A 250V~T125/55
- 16(4)A 125/250V~

DIELECTRIC WITHSTAND VOLTAGE: 1000VAC 1 MINUTE

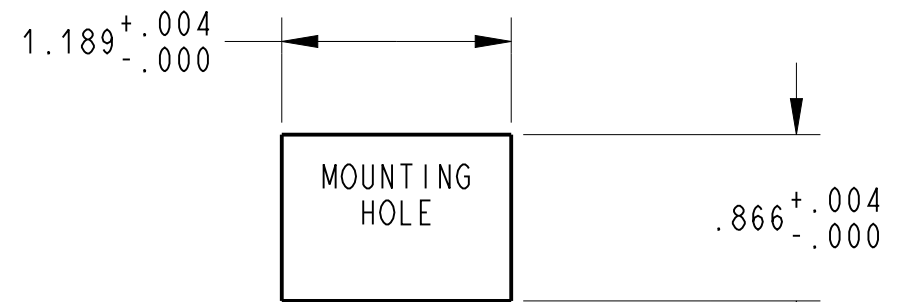
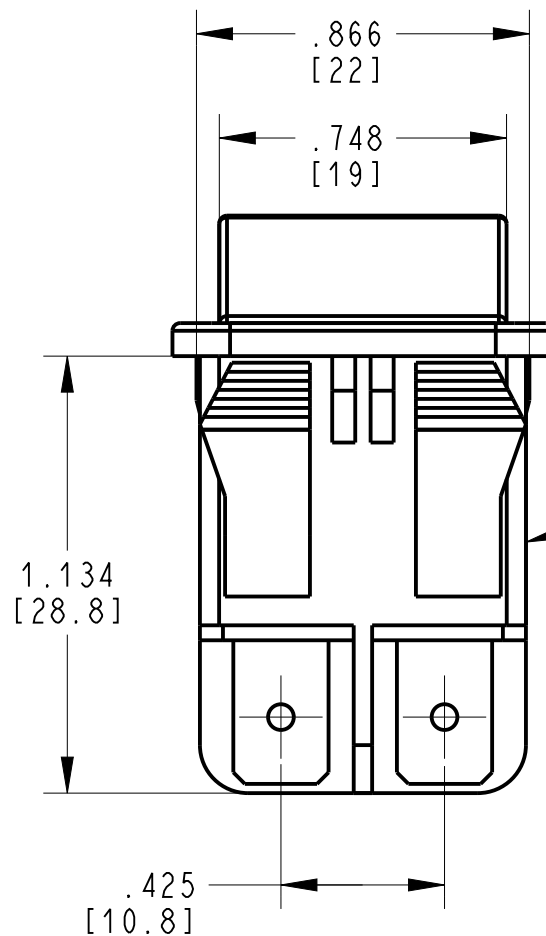
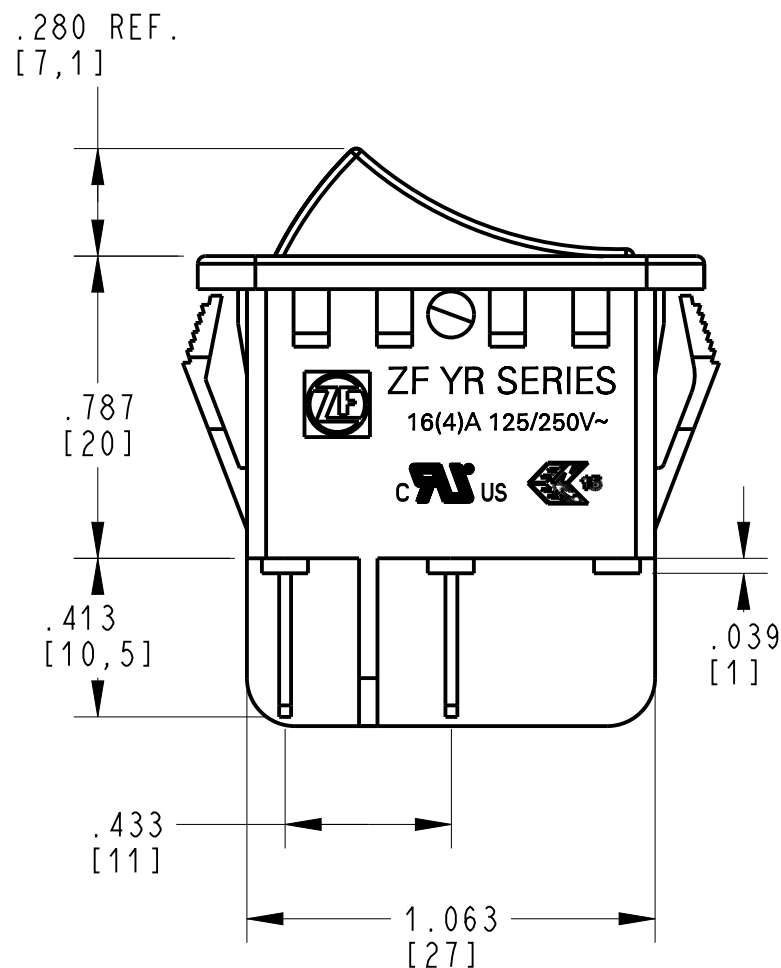
INSULATION RESISTANCE: 100M Ω MIN. AT 500 VDC.

INITIAL CONTACT RESISTANCE: 20mΩ (MAX.)

TERMINALS: .248+.004/- .002 (6.3) WIDE X .031±.001 (0.8) THICK.  
HOLE Ø .067±.004 (1.7); 4 PLACES.

LENS: RED.

ILLUMINATION: 100-125VAC.



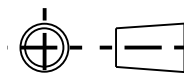
RECOMMENDED PANEL THICKNESS  
.030 TO .049  
(0.75 TO 1.25mm)



MARKING

DWN: TLM  
APVD: ELL  
DATE: 2015-12-15

THIRD ANGLE PROJECTION



PROJECT/ CSR

CONFIDENTIAL AND PROPRIETARY:  
ALL INFORMATION OR INVENTIONS CONTAINED IN THIS DOCUMENT OR DERIVED FROM THE INFORMATION THEREIN IS OWNED BY ZF ELECTRONIC SYSTEMS, AND IS CONFIDENTIAL AND PROPRIETARY. REVIEW OR POSSESSION OF THIS DOCUMENT INDICATES AGREEMENT THAT SUCH INFORMATION AND INVENTIONS WILL NOT BE DISCLOSED, REPRODUCED OR OTHERWISE USED IN ANY WAY WITHOUT EXPRESS WRITTEN PERMISSION FROM AN AUTHORIZED REPRESENTATIVE OF ZF ELECTRONIC SYSTEMS.

TOLERANCE UNLESS SPECIFIED

DWG UNITS	X.XX	X.XXX	ANGLES
INCH	± 0.02	± 0.012	± 5.0 °



ZF Electronic Systems

11200 88th AVE. PLEASANT PRAIRIE, WI 53158

NAME / DESCRIPTION

SPECIFICATION DRAWING

B ITEM NO. YRM32F2BBRLN

SCALE: 2:1 SH 1 OF 1

F	Z000421009	21-Aug-17	JPD	ELL
REV	ECO NO.	DATE	PREP	APVD

ORIGINAL ON PRO/E