

# DZ SUBMINIATURE SWITCH

## DZ subminiature switch

- Positive break action on NC contact
- Precision switch with high switch accuracy
- Various auxiliary actuators (can also be retrofitted), two mounting points
- Various terminal types available



## Technical specifications

<b>Series</b>	<b>DZ 1</b>
<b>Contact configuration</b>	S.P.D.T., S.P.S.T. - N.C.
<b>Contact gap</b>	< 3 mm ( $\mu$ )
<b>Switching voltage max.</b>	250 VAC
<b>Switching current</b>	3 (3) A
<b>Operating force</b>	220 cN without auxiliary actuator
<b>Total travel</b>	1.6 mm
<b>Mechanical life</b>	Min. $1 \times 10^6$ operations
<b>Electrical life</b>	25E3
<b>Ambient temperature</b>	-20 to +85°C
<b>Proof tracking index</b>	PTI 250

## Materials

<b>Base/cover</b>	PET (UL 94 V-0)
<b>Actuator</b>	POM (UL 94 HB)
<b>Positive break lever</b>	LCP (UL 94 V-0)
<b>Contacts</b>	AgSnO <sub>2</sub>
<b>Terminals</b>	CuZn silver-plated
<b>Auxiliary actuator</b>	Stainless steel

Approvals 

Degree of protection IP40  
Switch interior

## Circuitry 2

Model	Code
S.P.S.T. - N.C.	F
S.P.D.T.	G*

## Terminal type 3

Model	Code
Q.C. terminal 2.8 x 0.5 mm, straight	B1*
Solder terminal short	A1*

## Auxiliary actuator 4

Model	Code
Without auxiliary actuator	Radiusform BA

\* This variety and others on request

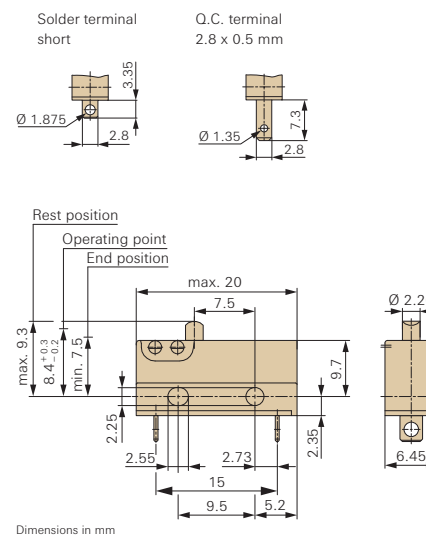
## Order code

Order codes on request

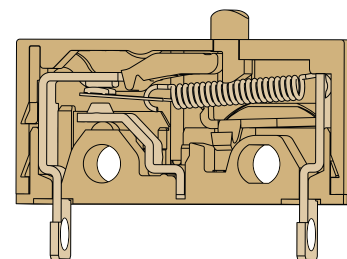
## Electrical rating and operating life 2

Electrical rating according to	Electrical life (operations)	Mechanical life	Operating force	Housing mark	Code		
EN 61058-1	UL 1054	acc. to EN	acc. to UL	max. (cN)			
3 (3) A 250 VAC	5 A 125-250 VAC	25,000	6,000	$1 \times 10^6$	220	DZ 1	1

## Switch options



## Switch system



Positive break action on NC contact