

Panel Mount Pushbutton Switch



F8 series

Features

- Snap-in panel mounting
- High overtravel
- Choice of standard housing or button barrier
- 3 terminal types
- Double make / break shorting bars
- Agency approved extended life available
- International approval standard
- 3 mm (0.12") minimum contact gap

Standard Parts¹

F81A-A120 F82A-A120 F81X-A120 F82X-A120

¹The part number configuration matrix below provides details to the part numbers above.

For configurable part numbers that are not listed above, not listed in your region, or for custom part numbers, contact the factory or your distributor: switches-sensors@zf.com

Order Code Matrix

F8	2
Series/ Prefix	

Code	EN 61058 Rating	UL1054 Rating
1	10(3)A 400 VAC	10A 125/250 VAC; 3/4 HP 125VAC 1.5HP 250 VAC, 6A@30VDC
2	16(6)A 250VAC	16A 125/250 VAC; 3/4HP 125VAC; 1.5HP 250VAC, 6A@30VDC
3	0.1(0.05)A 250 VAC	0.1A 125/250 VAC

A	Pole	Contact Configuration
A	1 & 3 2	SPST NO DM Vacant
J	1 2 3	SPST NO DM SPDT NC DM SPDT NO DM
X	1 & 2 3	Vacant SPST NC DM
Y	1 & 3 2	Vacant SPST NC DB
Z	1 2 3	Vacant SPDT NC DB SPDT NO DM
V	1 2 & 3	SPST NO DM Vacant

B	Case
A	Basic
B	Actuator Barrier

1	20**
Code	Type
1	Standard

Code	Terminal Type inches (mm)
10	0.187 x 0.020 (4.75 x 0.51) QC
20	0.250 x 0.032 (6.35 x 0.81) QC
40	0.187 x 0.032 (4.75 x 0.81) QC

*DB= Double break
*DM= Double make

** To order 100,000 cycle UL approved switch, make last digit of part number an 'L'. For instance part number would be F82A-B12L

* F82J Obsolete October, 2023

Electrical Specifications – Contact Ratings

Switch Series	EN61058		UL1054	
	Nominal load	Operation cycles	Nominal load	Operation cycles
F81	10(3)A, 400 VAC	50,000	10A, 125/250 VAC, ¾ HP 125 VAC 1 ½ HP 250 VAC; 6 A 30VDC	6,000*
F82	16(6)A, 250 VAC	50,000	16A, 125/250 VAC, ¾ HP 125 VAC ½ HP 250VAC; 6A 30VDC	6,000*
F83	0.1(0.05)A, 250 VAC	50,000	0.1A, 125/250 VAC	6,000*

* Indicates 100K UL approved life available

<https://switches-sensors.zf.com/>



Environmental and Mechanical Specifications

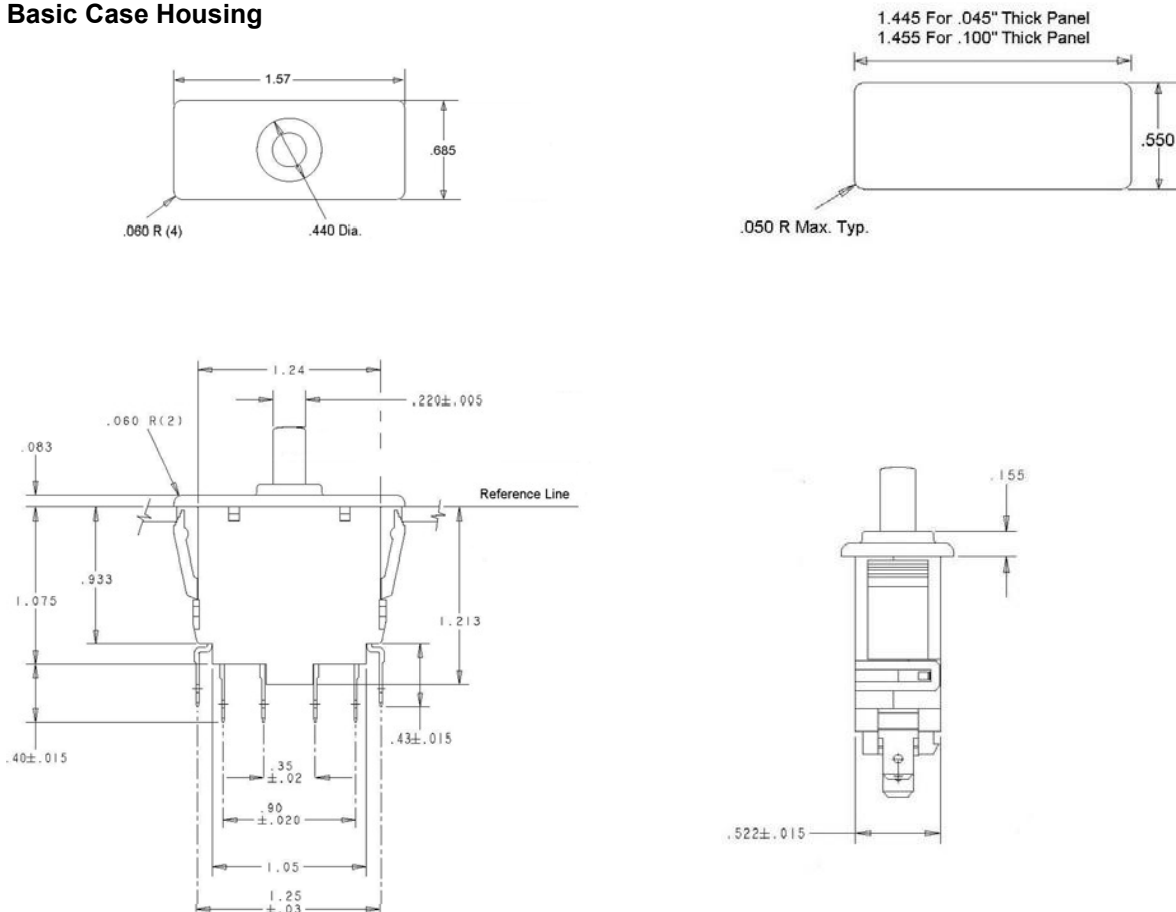
Operating force	max. 850 cN
Temperature range	-25°C to +85 °C

Material Specifications

Case	Thermoplastic Polyester
Actuator button	Thermoplastic Polyester
Terminals	Brass
Moving blade	Brass
Springs	Stainless steel
Contacts	F81/F82: Silver Alloy, F83: Gold Crosspoint
Degree of protection switch interior	IP40

Dimensions inches (mm)

Basic Case Housing

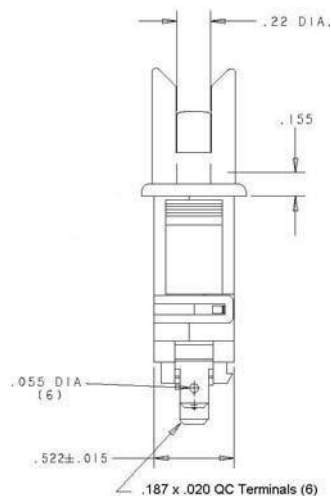
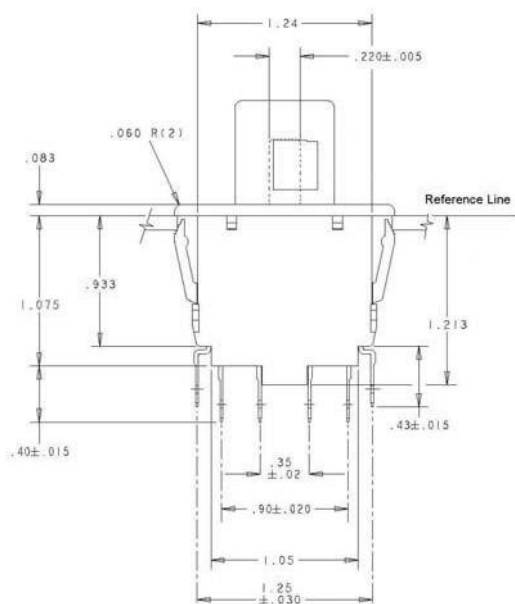
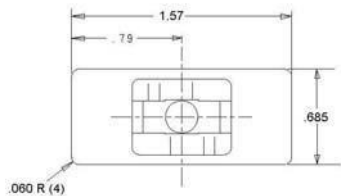


Button Barrier Housing

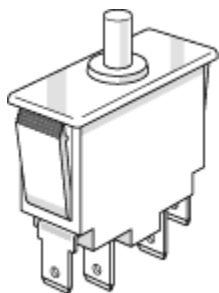
<https://switches-sensors.zf.com/>

Page 2 of 3, Last update 2025-02-25, Specifications subject to change without notice. In case there are any deviations, the drawing details have priority.

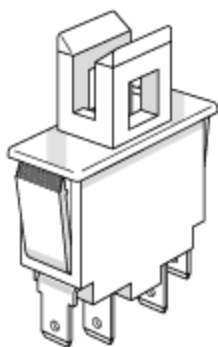




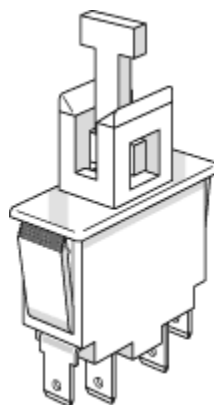
Case Versions



Basic Case Housing



Button Barrier Housing



Button Barrier shown
with "Cheat" tool



Part Numbers

White: 0014-4945

Red: 0014-5451

