

# Sealed Rocker Switch

## Single and Double Pole

KG Series



### Features

- Snap-in mounting
- RoHS compliant
- 100,000 cycles mechanical life
- IP56
- Switches up to 20 A

### Standard Parts<sup>1</sup>

| North America and Europe |             |             |             |
|--------------------------|-------------|-------------|-------------|
| KGC2ANB1BBD              | KGC2BNB1BBB | KGC2CNB1BBN | KGC3ANB1BBD |

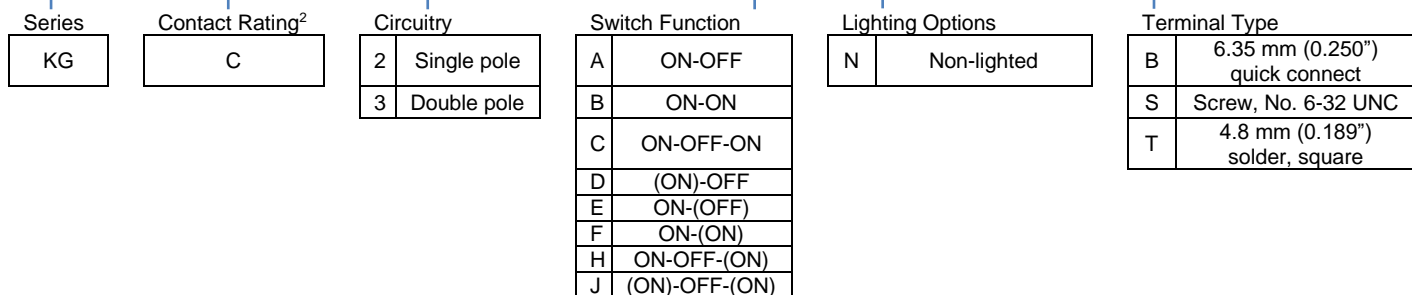
<sup>1</sup>The part number configuration matrix below provides details to the part numbers above.

For configurable part numbers that are not listed above, not listed in your region, or for custom part numbers, contact the factory or your distributor.

### Part Number Breakdown

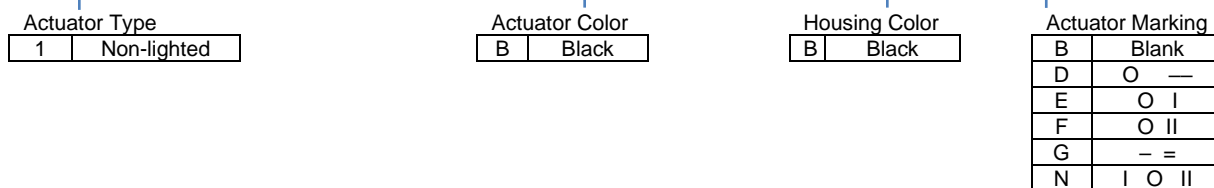
KGC2ANB1BBD

KG C 2 A N B



<sup>2</sup>See Electrical Specifications section

1 B B D



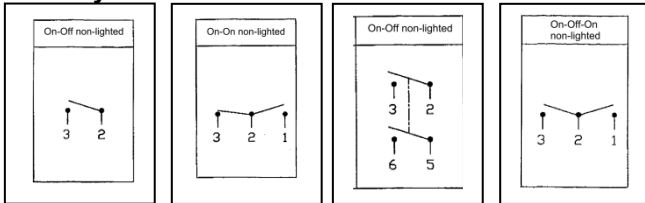
## Electrical Specifications

|   |                                       |                                 |
|---|---------------------------------------|---------------------------------|
| Dielectric Strength   | 1500 VAC for 1 minute                 |                                 |
| Insulation Resistance   | 100 MΩ min at 500 VDC                 |                                 |
| Initial Contact Resistance  | 0.050 Ω max                           |                                 |
| Electrical Ratings  | UL1054<br>20 A 125 VAC / 10 A 250 VAC | VDC <sup>3</sup><br>20 A 14 VDC |
| Electrical Life at Rated Load<br>Minimum Operations               | UL<br>6,000                           |                                 |
| <sup>3</sup> DC ratings not agency approved<br>UL File No: E23301 |                                       |                                 |

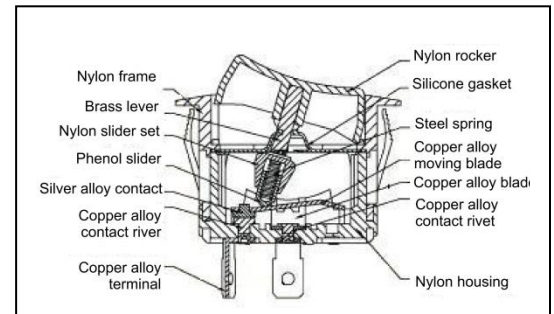
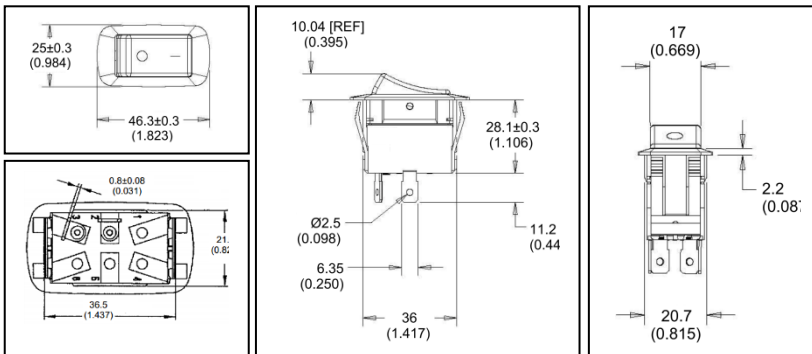
## Material and Environmental Specifications

|                             |                                      |
|-----------------------------|--------------------------------------|
| Actuator                    | Nylon 66 with 33% Glass Fiber        |
| Housing                     | Nylon 66                             |
| Spring                      | Steel                                |
| Contacts                    | Silver Alloy                         |
| Movable Arm                 | Silver                               |
| Terminals                   | Silver-Plated Copper Alloy           |
| Rubber Boot                 | Silicone                             |
| Operating Temperature Range | -25 °C to +85 °C (-13 °F to +185 °F) |
| Ingress Protection          | IP56                                 |

## Circuitry and Switch Functions



## Dimensions mm (inches)



| Recommended Panel Cut-Out Dimensions |                        |                        |
|--------------------------------------|------------------------|------------------------|
| Panel thickness                      | Dimension Y            | Dimension X            |
| 0.75 to 1.25 (0.030 to 0.049)        | 36.6±0.2 (1.441±0.004) | 21.2±0.1 (0.835±0.004) |
| 1.25 to 2.00 (0.049 to 0.079)        | 36.8±0.2 (1.449±0.004) |                        |
| 2.00 to 3.00 (0.079 to 0.118)        | 37.0±0.2 (1.457±0.004) |                        |