

Rocker Switch

Single Pole

SR Series – SRB



Features

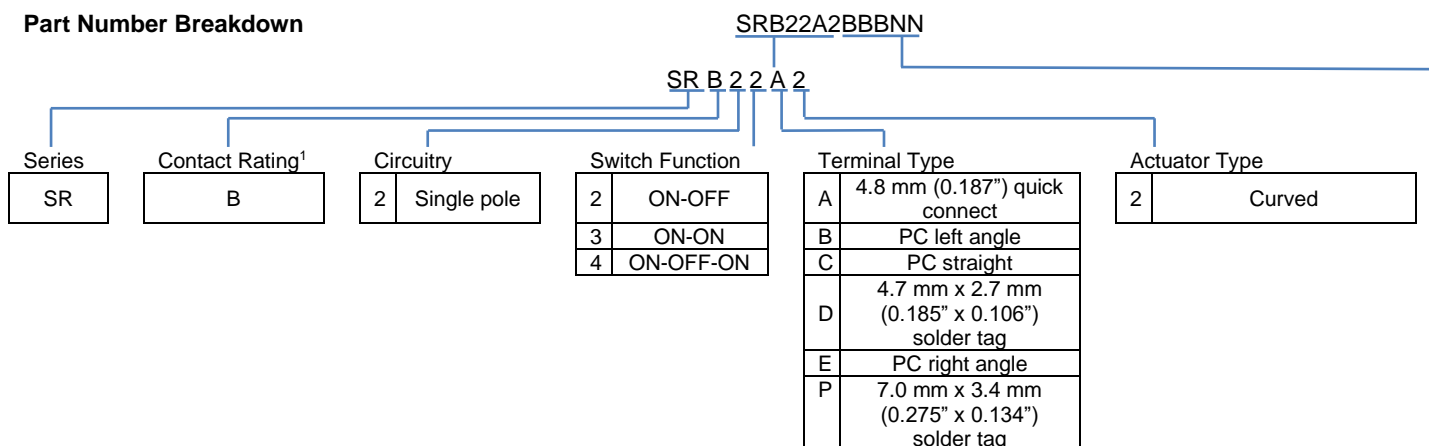
- Self-locking tabs
- Minimum 100,000 operations mechanical life
- RoHS compliant

Standard Parts¹

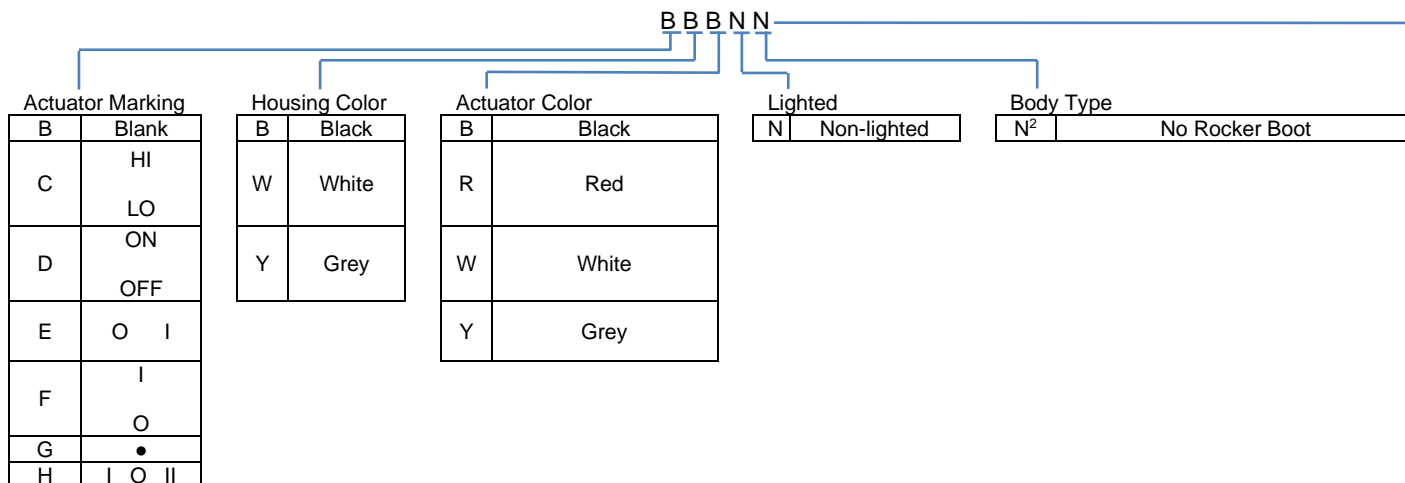
North America and Europe				
SRB22A2BBBNN	SRB22A2DBBNN	SRB22A2FBBNN	SRB22A2FBRNN	SRB23A2BBBNN

¹The part number configuration matrix below provides details to the part numbers above. For configurable part numbers that are not listed above, contact the factory or your distributor.

Part Number Breakdown



¹See Electrical Specifications section



²A splash-proof boot can be ordered separately as part number 00150751



Electrical Specifications

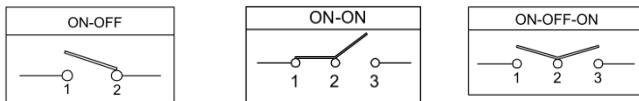
Inrush Rating – 2 Position	48 A	
Dielectric Strength	1000 VAC for 1 minute	
Insulation Resistance	100 MΩ min at 500 VDC	
Initial Contact Resistance	0.020 Ω max	
Switch Function	EN61058-1 Rating	UL61058 Rating
All	10 (4) A 125 VAC / 250 VAC T125/55	10 (4) A 125 VAC / 250 VAC
Electrical Life at Rated Load		
Minimum Operations	ENEC 10,000	UL61058 6,000

UL File No: E23301

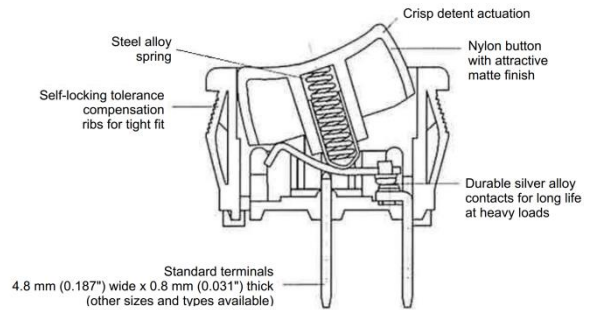
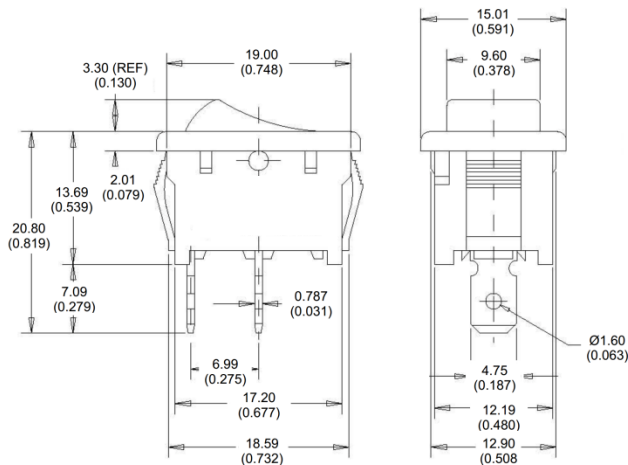
Material and Environmental Specifications

Actuator	Nylon 66 94V-2	
Base	Nylon 66 94V-2	
Spring	Steel Wire	
Contacts	Silver or Copper Alloy	
Movable Arm	Silver-Plated Copper Alloy	
Terminals	Tin-Plated Copper Alloy	
Operating Temperature Range	-20 °C to +65 °C (-4 °F to +149 °F)	

Circuitry and Switch Functions



Dimensions mm (inches)



Recommended Panel Cut-Out Dimensions

Panel thickness	X Dimension	Y dimension
0.75 to 1.25 (0.30 to 0.049)	19.2 +0.1/-0 (0.756)	12.90 +0.15/-0 (0.508)
1.25 to 2.00 (0.049 to 0.079)	19.4 +0.1/-0 (0.764)	12.90 +0.15/-0 (0.508)
2.00 to 3.00 (0.079 to 0.118)	19.8 +0.1/-0 (0.780)	12.90 +0.15/-0 (0.508)

