

Rocker Switch

Single Pole SR Series – SRJ



Features

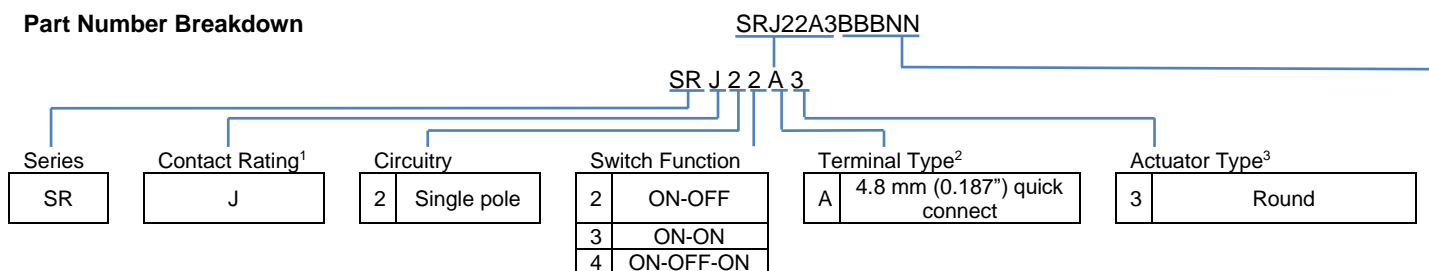
- Self-locking tabs
- Minimum 50,000 operations mechanical life
- RoHS compliant

Standard Parts¹

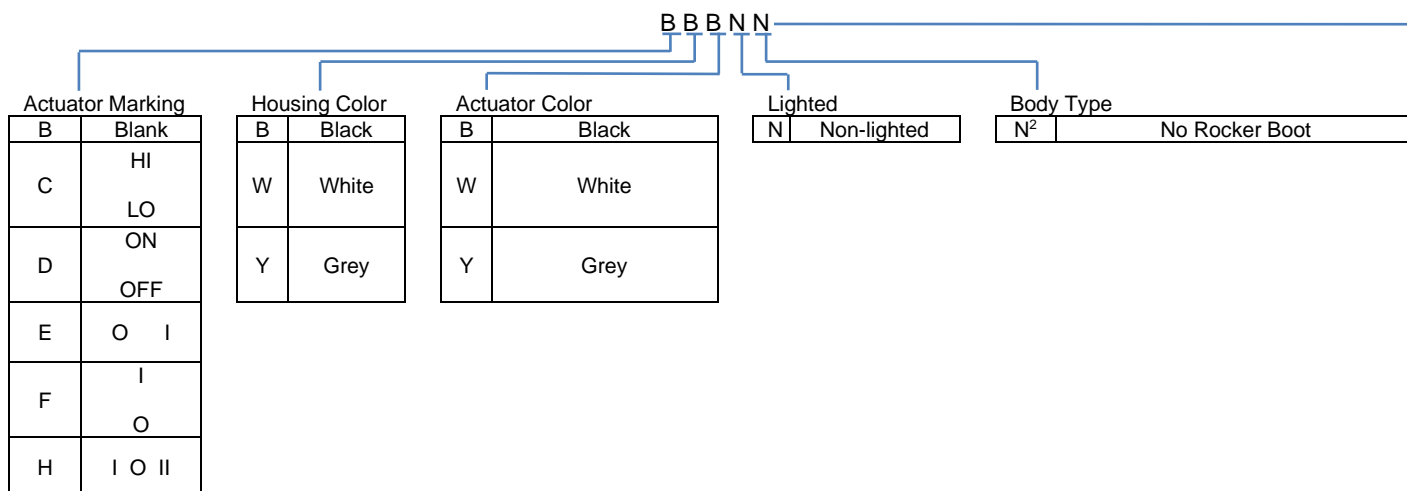
North America and Europe			
SRJ22A3BBBNN	SRJ23A3BBBNN	SRJ24A3BBBNN	SRJ24A3HBBNN

¹The part number configuration matrix below provides details to the part numbers above. For configurable part numbers that are not listed above, contact the factory or your distributor.

Part Number Breakdown



¹See Electrical Specifications section



²A splash-proof boot can be ordered separately as part number 00150751



Electrical Specifications

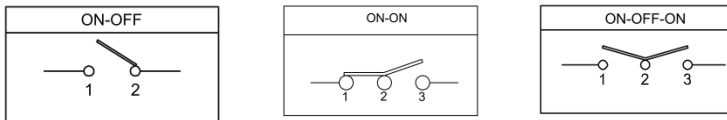
Inrush Rating – 2 Position			48 A
Inrush Rating – 3 Position			24 A
Dielectric Strength			1000 VAC for 1 minute
Insulation Resistance			100 MΩ min at 500 VDC
Initial Contact Resistance			0.020 Ω max
Switch Function		ENEC15 Rating	UL61058 Rating
All		16 (8) A 125 VAC / 250 VAC T125/55	16 (8) A 125 VAC / 250 VAC
Electrical Life at Rated Load Minimum Operations	ENEC15	UL61058	
	10,000	6,000	

UL File No: E23301

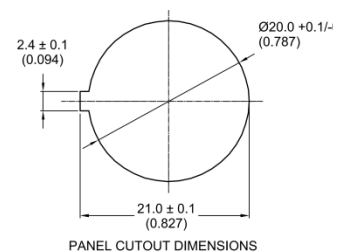
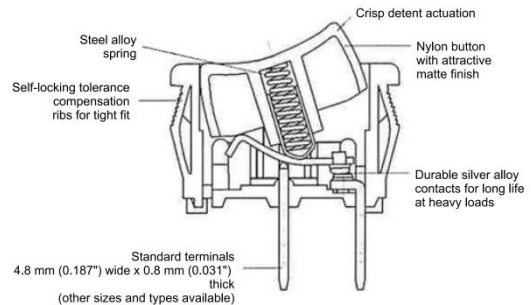
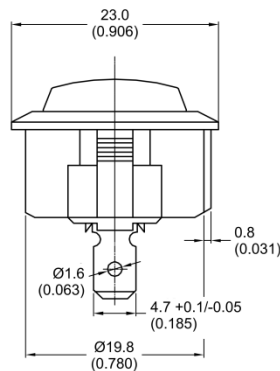
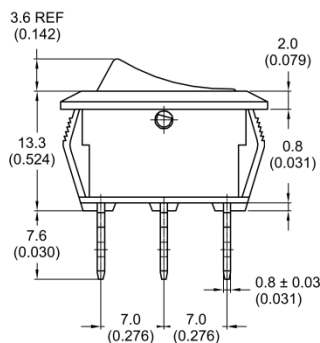
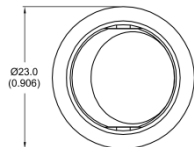
Material and Environmental Specifications

Actuator	Nylon 66 94V-2		
Base	Nylon 66 94V-2		
Spring	Steel Wire		
Contacts	Silver Alloy		
Movable Arm	Silver-Plated Copper Alloy		
Terminals	Tin-Plated Copper Alloy		
Operating Temperature Range	-20 °C to +65 °C (-4 °F to +149 °F)		

Circuitry and Switch Functions



Dimensions mm (inches)



NOTE: TOLERANCES ± 0.3 (0.012) UNLESS OTHERWISE SPECIFIED