

Rocker Switch



Single Pole

TR Series

Features

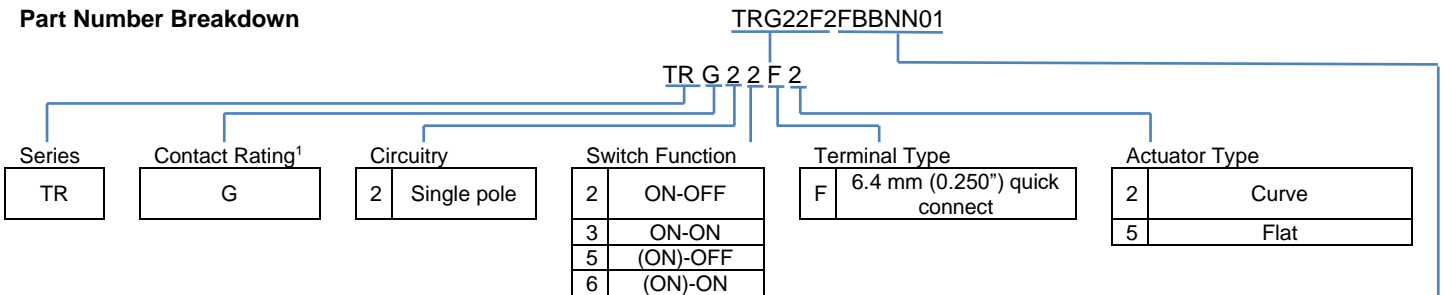
- Lighted & non-lighted versions available
- Maintained and momentary action
- 16 A switching in 11 mm wide packaging
- RoHS compliant
- Minimum 10,000 operations mechanical life

Standard Parts¹

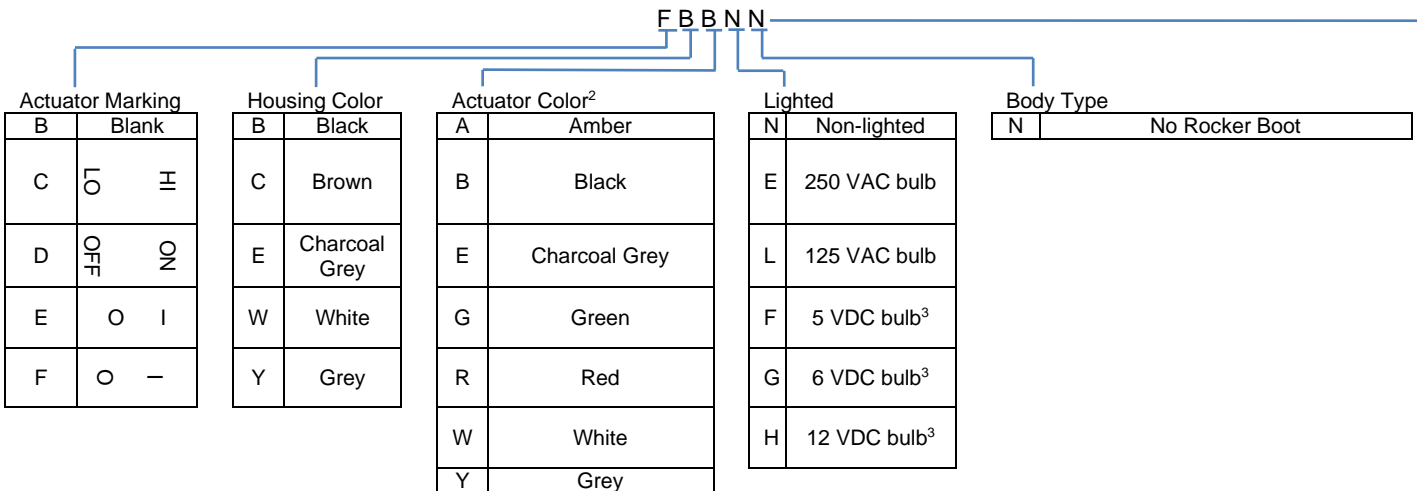
North America and Europe			Europe Only	
TRG22F2BBRLN	TRG22F2FBBNN	TRG22F2BBGEN	TRG22F2BBGLN	TRG22F2BBREN

¹The part number configuration matrix below provides details to the part numbers above. For configurable part numbers that are not listed above, contact the factory or your distributor.

Part Number Breakdown



¹See Electrical Specifications section



²Charcoal Grey, White, Grey not available for illuminated actuator

³Switches have no agency DC ratings



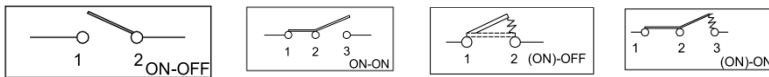
Electrical Specifications

Inrush Rating – 2 Position			48 A
Inrush Rating – 3 Position			24 A
Dielectric Strength			1000 VAC for 1 minute
Insulation Resistance			100 MΩ min at 500 VDC
Initial Contact Resistance			0.020 Ω max
Switch Function		ENEC15 Rating	UL 61058
All	16 (4) A 125 VAC / 250 VAC T125/55	16 (4) A 125 VAC / 250 VAC	
Electrical Life at Rated Load Minimum Operations	ENEC15 10,000	UL61058 10,000	
UL File No: E23301			

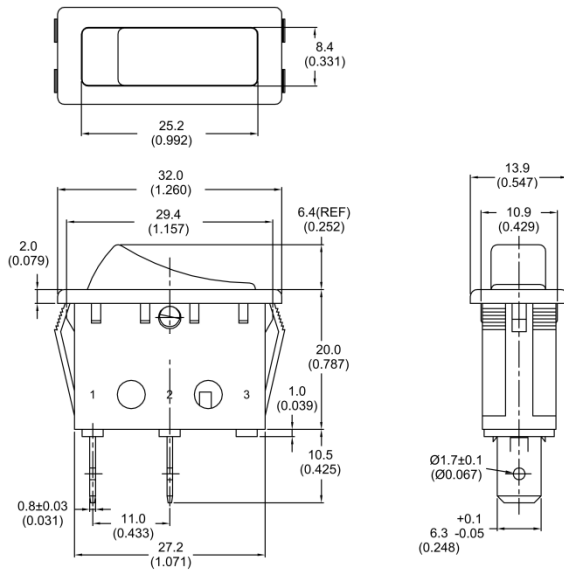
Material and Environmental Specifications

Actuator, non-lighted			Nylon 66 94V-2
Actuator, lighted			Polycarbonate
Base			Nylon 66 94V-2
Spring			Steel Wire
Contacts			Silver Alloy
Movable Arm			Silver-Plated Copper Alloy
Terminals			Silver-Plated Copper Alloy
Operating Temperature Range			-20 °C to +85 °C (-4 °F to +185 °F)

Circuitry and Switch Functions



Dimensions mm (inches)



NOTE: TOLERANCES UNLESS OTHERWISE SPECIFIED: ± 0.3 (0.012)

Recommended Panel Cut-Out Dimensions		
Panel thickness	X Dimension	Y Dimension
0.75 to 1.25 (0.030 to 0.049)	30.23 (1.19)	11.00 (0.433)
1.25 to 2.00 (0.049 to 0.079)	30.48 (1.20)	11.00 (0.433)
2.00 to 3.00 (0.079 to 0.118)	30.73 (1.21)	11.00 (0.433)

