

Rocker Switch

Double (and Single) Pole YR Series



Features

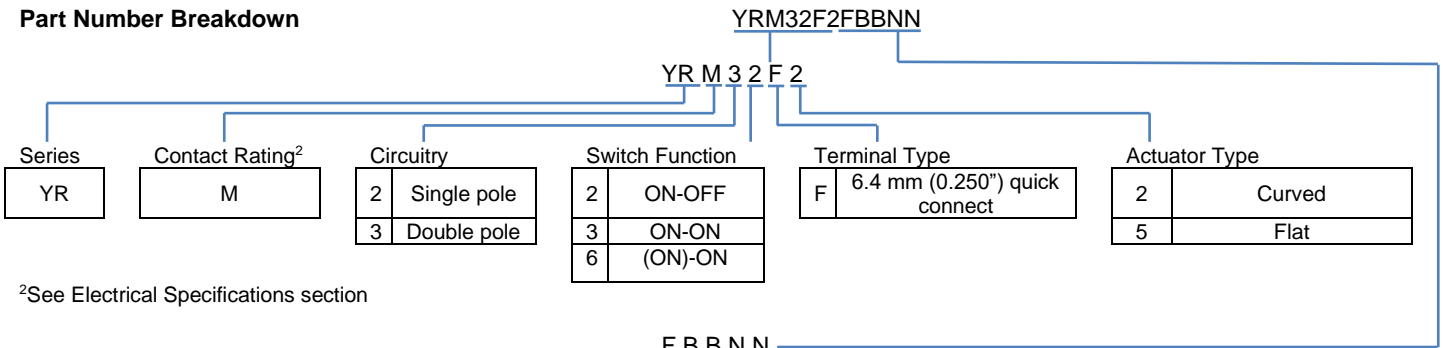
- Lighted and non-lighted versions
- RoHS Compliant
- Minimum 50,000 operations mechanical life
- High current rating – up to 20 A

Standard Parts¹

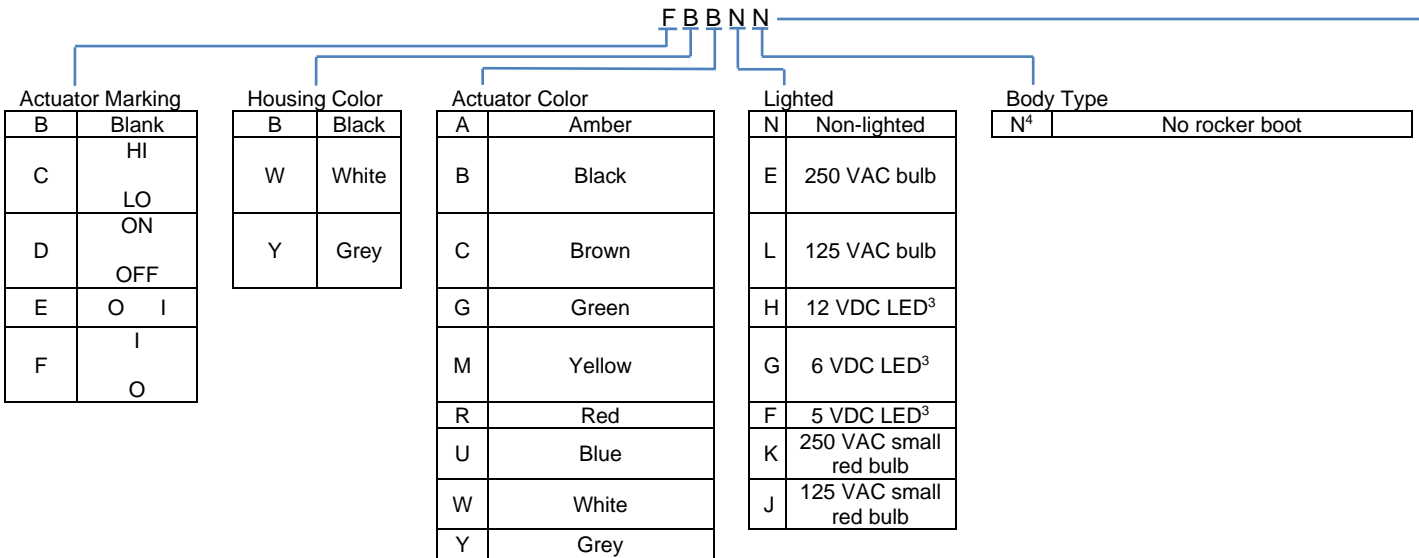
North America and Europe				Europe
YRM32F2BBBNN	YRM32F2BBRLN	YRM32F2FBBNN	YRM33F2BBBNN	YRM32F2BBREN

¹The part number configuration matrix below provides details to the part numbers above. For configurable part numbers that are not listed above, not listed in your region, or for custom part numbers, contact the factory or your distributor.

Part Number Breakdown



²See Electrical Specifications section



³Switches have no agency DC ratings

⁴A splash-proof boot (with bezel) can be ordered separately as part number 00150646

Electrical Specifications

Inrush Rating – 2 position	48 A
Inrush Rating – 3 position	24 A
Dielectric Strength	1000 VAC for 1 minute
Insulation Resistance	100 MΩ min at 500 VDC
Initial Contact Resistance	0.020 Ω max

Electrical Ratings

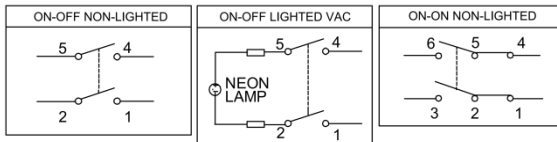
Switch Function	ENEC15	UL Gen Purpose 1054	UL HP
ALL	16 (4) A 125 VAC / 250VAC T125/55	20 A 125 VAC / 16 A 250 VAC	¼ HP 125 / 250 VAC
Electrical Life at Rated Load Minimum Operations	ENEC15 10,000	UL61058 10,000	

UL File No: E23301

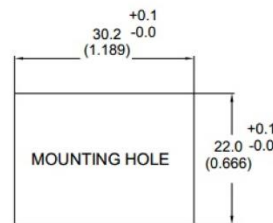
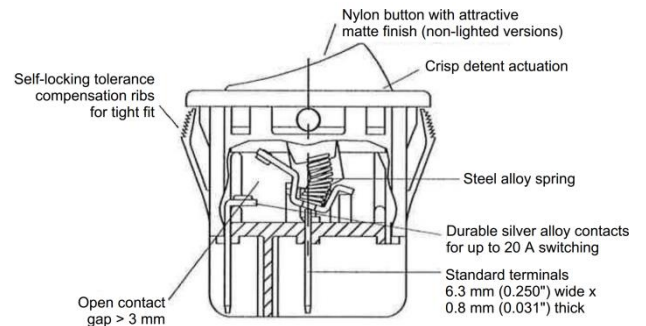
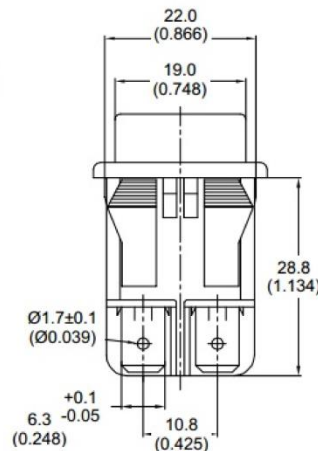
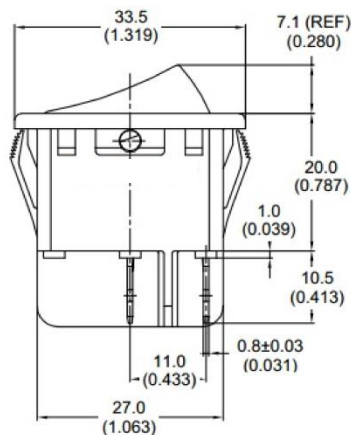
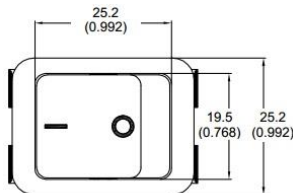
Material and Environmental Specifications

Actuator, non-lighted	Nylon 66 94V-2
Actuator, lighted	Polycarbonate
Base	Nylon 66 94V-2
Spring	Steel Wire
Contacts	Silver Alloy
Movable Arm	Silver-Plated Copper Alloy
Terminals	Tin-Plated Copper Alloy
Operating Temperature Range	0 °C to +85 °C (32 °F to +185 °F)

Circuitry and Switch Functions



Dimensions mm (inches)



PANEL THICKNESS: 0.75 TO 1.25 (0.030 TO 0.049)

NOTE: TOLERANCES UNLESS OTHERWISE SPECIFIED: ± 0.3 (0.012)