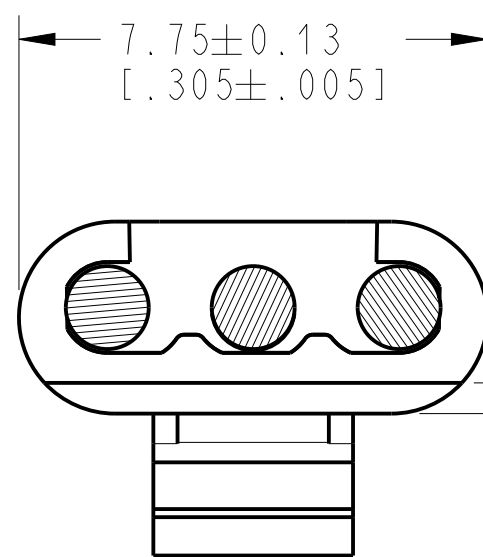


(1.42)
[.056]



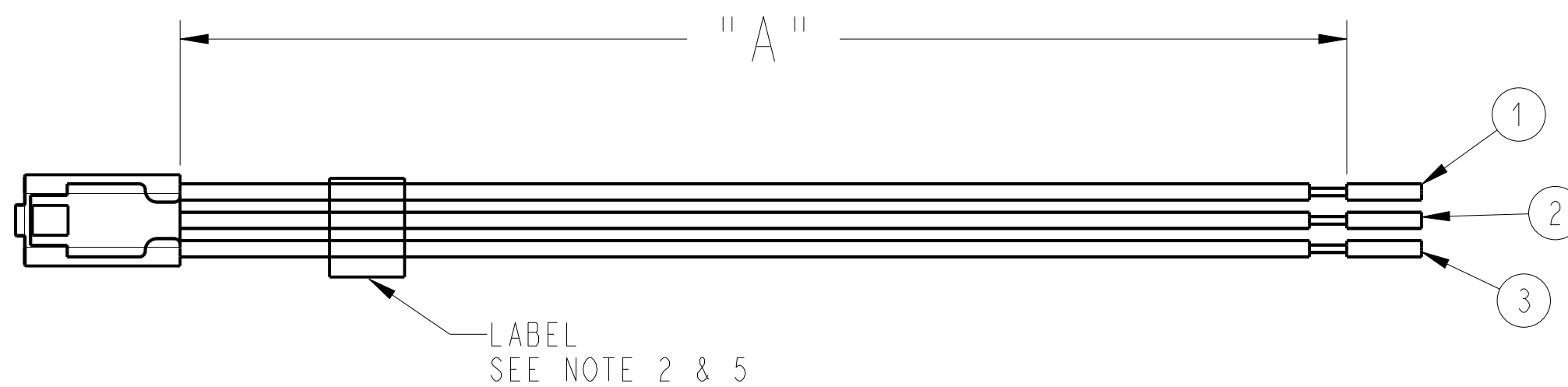
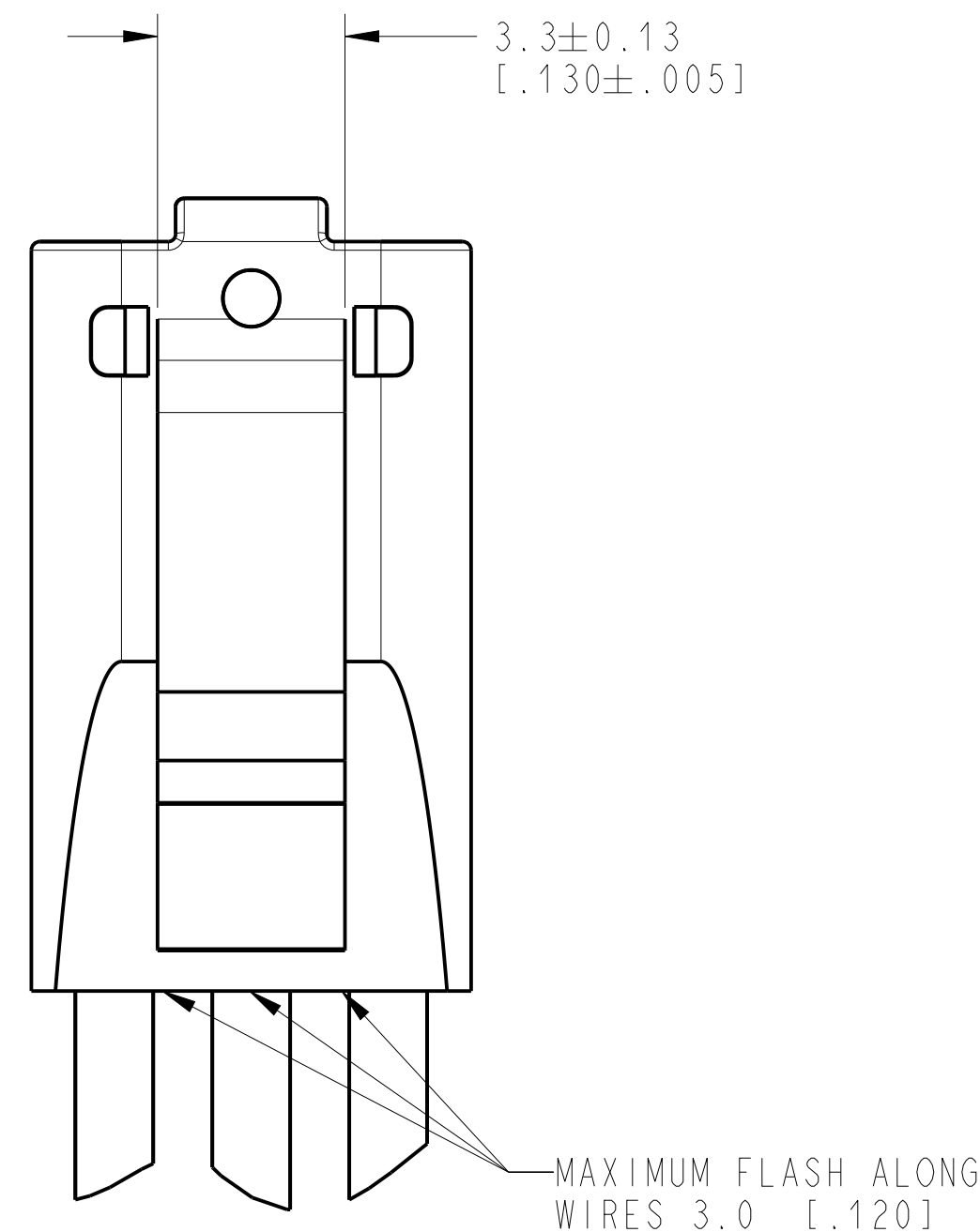
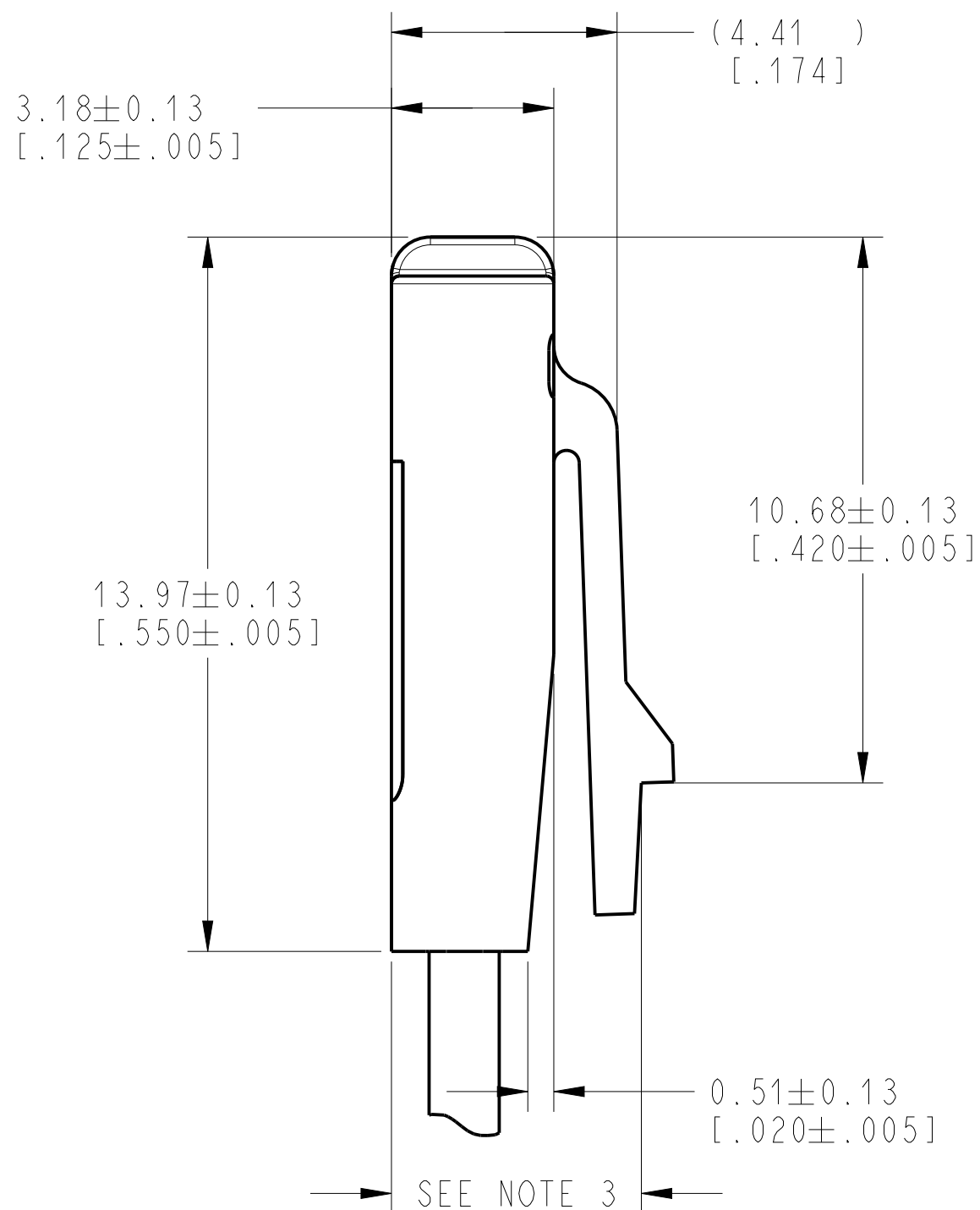
7.75±0.13
[.305±.005]

(0.51)
[.020]

(D)

NOTES:

1. HOUSING MATERIAL: FILLED POLYESTER OR NYLON BLACK.
2. ZF LABEL TO BE LOCATED 1" TO 1 1/2" (REF.) FROM SENSOR. LABEL TO WRAP AROUND ALL (3) WIRES.
3. 4.75 MAXIMUM MEASUREMENT FROM SENSOR FACE TO HIGHEST POINT OF FULLY DEPRESSED CLIP.
4. OPERATING TEMPERATURE RANGE:
-40°C TO +85°C FOR MP10301 & MP101303
-40°C TO +150°C FOR MP10302
5. REFER TO ZF PRODUCT SPECIFICATIONS FOR ANY ADDITIONAL INFORMATION:
- PSPEC-00061 FOR MP101303
- PSPEC-00065 FOR MP101301 & MP101302
6. ALL SENSORS ARE 100% FUNCTIONAL TESTED.
7. LABEL INFORMATION:
ZF MEXICO
ZF PART NUMBER
DATE CODE (YY/WW - A/B SHIFT CODE)
8. PRODUCT IS ROHS COMPLIANT.
9. THIS PRODUCT IS SOLD UNDER THE ZF BRAND.

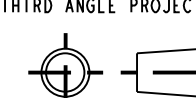


SCALE 2:1

ZF PART NUMBER	WIRE LENGTH "A"	END CONDITION	STRIP LENGTH "B"	NOTES
MP101301	5.9"/150mm ±.5"	STRIP AND RETAIN	.25" ±.025"	
MP101302	5.9"/150mm ±.5"	STRIP AND RETAIN	.25" ±.025"	
MP101303	5.9"/150mm ±.5"	STRIP AND RETAIN	.25" ±.025"	

CONNECTION TABLE	
PIN	CONNECTION
1	OUTPUT V _o (GREEN)
2	GROUND (BLACK)
3	SUPPLY V _{cc} (RED)

DWN: CAS
APVD: DL
DATE: 2001-08-08
THIRD ANGLE PROJECTION



CONFIDENTIAL AND PROPRIETARY:
ALL INFORMATION OR INVENTIONS CONTAINED IN THIS DOCUMENT OR DERIVED FROM THE INFORMATION THEREIN IS OWNED BY ZF ELECTRONIC SYSTEMS, AND IS CONFIDENTIAL AND PROPRIETARY. REVIEW OR POSSESSION OF THIS DOCUMENT INDICATES AGREEMENT THAT SUCH INFORMATION AND INVENTIONS WILL NOT BE DISCLOSED, REPRODUCED OR OTHERWISE USED IN ANY WAY WITHOUT EXPRESS WRITTEN PERMISSION FROM AN AUTHORIZED REPRESENTATIVE OF ZF ELECTRONIC SYSTEMS.



ZF Electronic Systems

11200 88th AVE. PLEASANT PRAIRIE, WI 53158

NAME / DESCRIPTION

PROXIMITY SENSOR

D	Z000370214	2016-07-14	GP	TB
REV	ECO NO.	DATE	PREP	APVD

PROJECT/ CSR	DWG UNITS	X.X	X.XX	ANGLES
	mm.	± 0.3	± 0.10	± 1.0 °

C	ITEM NO.	MP1013
SCALE:	2:1	SH 1 OF 1

ORIGINAL ON PROJE