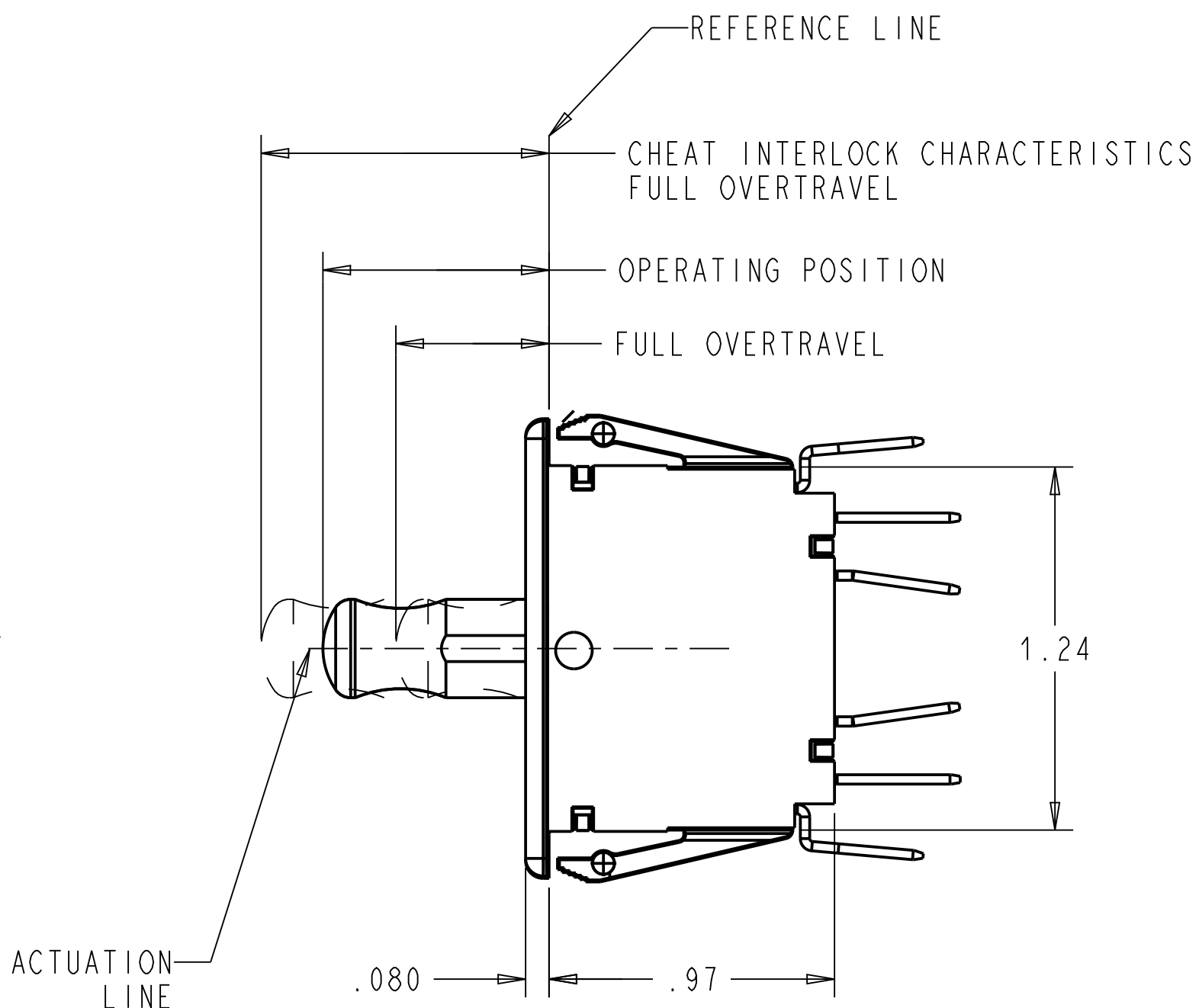
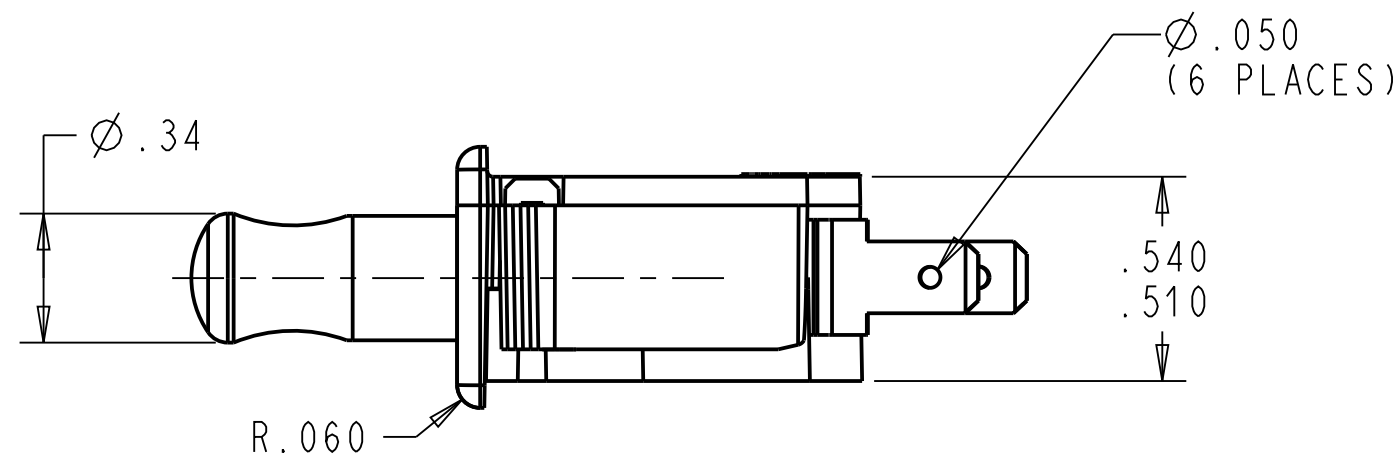
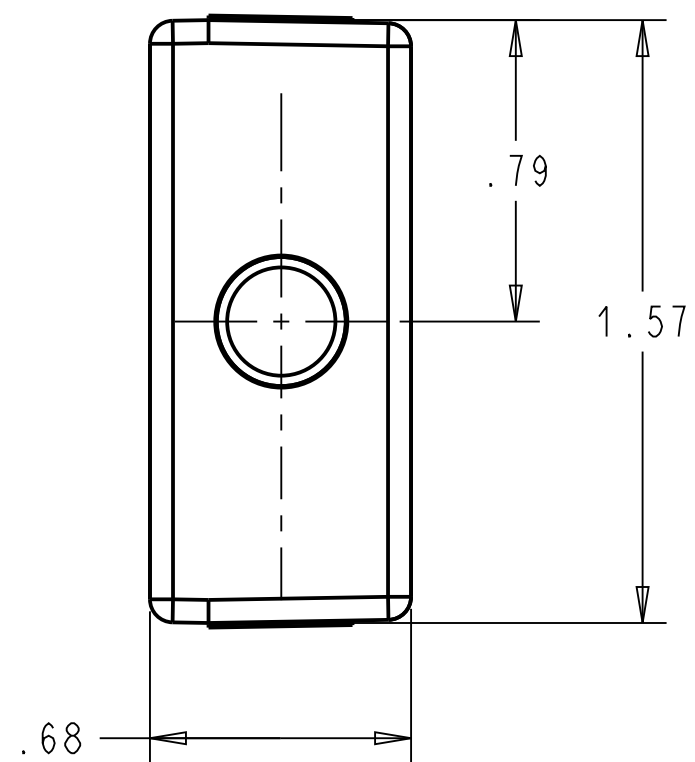


PANEL CUTOUT DETAIL  
RECOMMENDED  
PANEL THICKNESS  
.045-.100



NOTES: (UNLESS OTHERWISE SPECIFIED):

1. SWITCH CHARACTERISTICS:

REST POSITION	.730 TO .790
PRETRAVEL:	.125 MAX.
OPERATING POSITION:	.610 TO .710
OVER-TRAVEL:	.100 MIN.
MOVEMENT DIFFERENTIAL:	.075 MAX.
OPERATING FORCE grams.	737 MAX.

BUTTON POSITION AT FULL OVERTRAVEL.	.520 MAX.
--	-----------

ALL CHARACTERISTICS ARE TAKEN AT THE ACTUATION LINE AND MEASURED FROM THE REFERENCE LINE.

CHEAT INTERLOCK CHARACTERISTICS:

OPERATING POS. -----	.800 TO .900
PRE-TRAVEL -----	.155 MAX.
OVERTRAVEL -----	.030 MIN.
MOVE DIFF. -----	.090 MAX.
OPERATING FORCE grams ---	800 MAX.
FULL OVER-TRAVEL: -----	.980 MAX.

2. us ELECTRICAL RATINGS:

10 A, 125/250 VAC  
1/3 HP 125/250 VAC

(K) 10(4) A 250V, 50E3, 40T85.

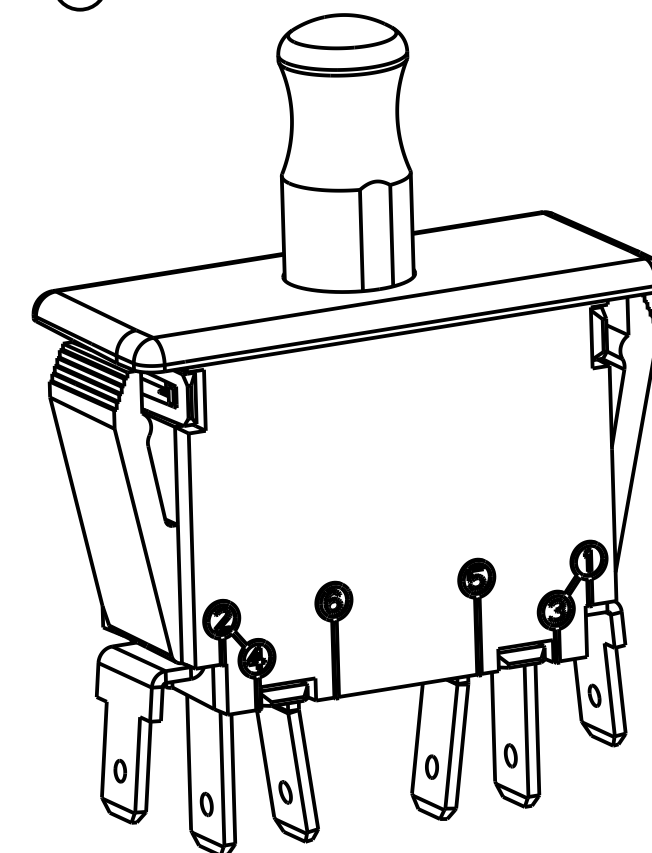
3. TERMINALS:

ARE .187 WIDE X .032 THICKNESS.

4. RECOGNIZED TO U.S. AND CANADIAN REQUIREMENTS UNDER THE COMPONENT RECOGNITION PROGRAM OF UNDERWRITERS LABORATORIES, INC.

5. TEMPERATURE RATINGS: -40°C TO +85°C

6. ELECTRICAL LIFE AT RATED LOAD: 100,000 CYCLES SIGNIFIED WITH (L)



DWN: EV	CONFIDENTIAL AND PROPRIETARY: ALL INFORMATION OR INVENTIONS CONTAINED IN THIS DOCUMENT OR DERIVED FROM THE INFORMATION THEREIN IS OWNED BY ZF ELECTRONIC SYSTEMS, AND IS CONFIDENTIAL AND PROPRIETARY. REVIEW OR POSSESSION OF THIS DOCUMENT INDICATES AGREEMENT THAT SUCH INFORMATION AND INVENTIONS WILL NOT BE DISCLOSED, REPRODUCED OR OTHERWISE USED IN ANY WAY WITHOUT EXPRESS WRITTEN PERMISSION FROM AN AUTHORIZED REPRESENTATIVE OF ZF ELECTRONIC SYSTEMS.	<b>ZF Electronic Systems</b> PLEASANT PRAIRIE, WISCONSIN U.S.A. NAME / DESCRIPTION <b>SPEC DRAWING</b>
APVD: GJP		
DATE: 1995-09-05		
THIRD ANGLE PROJECTION	TOLERANCE UNLESS SPECIFIED	C ITEM NO. OF79-30A0
	PROJECT/ CSR DWG UNITS X.XX X.XXX ANGLES	SCALE: 2:1 SH 1 OF 1
REV	ECO NO. DATE PREP APVD	
K	Z000714808 2023-11-30 TCH ELL	
	PROJECT/ CSR 4000000138	

ORIGINAL ON PRO/E