

NOTES (UNLESS OTHERWISE SPECIFIED):

- *SWITCH CHARACTERISTICS

REST POSITION	.380 MAX.
PRE-TRAVEL	.050 MAX.
OPERATING POSITION	.255 TO .315
OVER TRAVEL	.080 MIN.
MOVEMENT DIFF.	
EACH POLE	.015 MAX.
OPERATING FORCE	grams 850 MAX.
RELEASE FORCE	grams 170 MIN.

ALL CHARACTERISTICS ARE TAKEN AT THE ACTUATION LINE AND MEASURED FROM THE REFERENCE LINE.

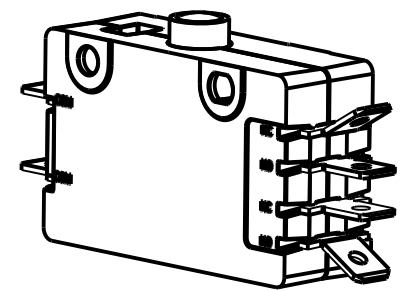
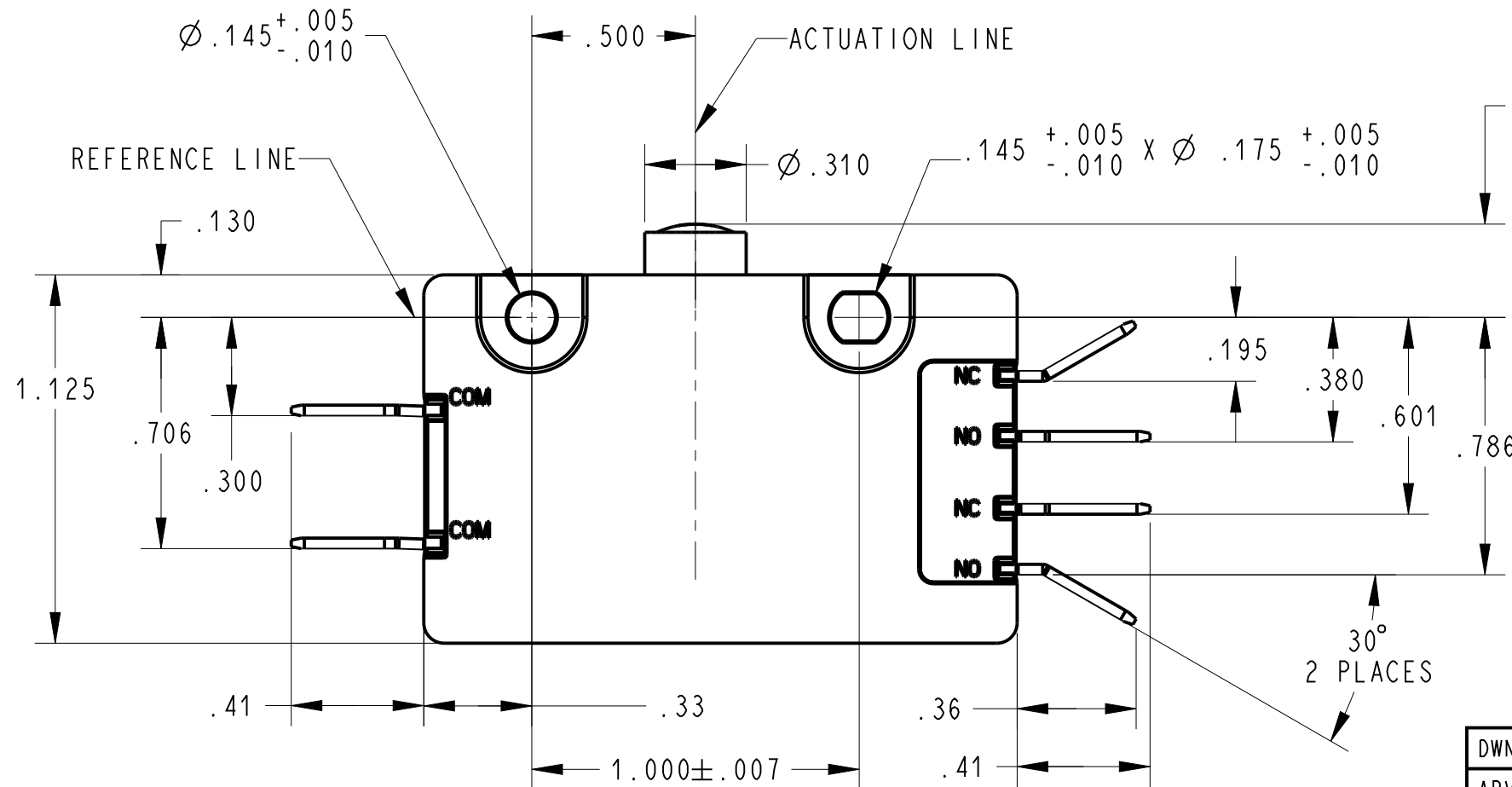
- us ELECTRICAL RATING

15A, 125/250 VAC
3/4 HP, 125 VAC;
1-1/2 HP, 250 VAC;

- RECOGNIZED TO U.S. AND CANADIAN REQUIREMENTS UNDER THE COMPONENT RECOGNITION PROGRAM OF UNDERWRITERS LABORATORIES, INC.

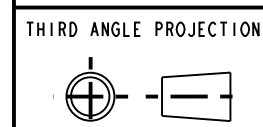
- TEMPERATURE RATING: -40°C TO 105°C

- TERMINALS ARE .250 WIDE X .032 THICK AND TERMINAL HOLES ARE Ø.095. 6 PLACES.



SCALE 1:1
SHOWN NOT CLINCHED

DWN: TLM
APVD: EL
DATE: 24-Jul-12



CONFIDENTIAL AND PROPRIETARY:
ALL INFORMATION OR INVENTIONS CONTAINED IN THIS DOCUMENT OR DERIVED FROM THE INFORMATION THEREIN IS OWNED BY ZF ELECTRONIC SYSTEMS, AND IS CONFIDENTIAL AND PROPRIETARY. REVIEW OR POSSESSION OF THIS DOCUMENT INDICATES AGREEMENT THAT SUCH INFORMATION AND INVENTIONS WILL NOT BE DISCLOSED, REPRODUCED OR OTHERWISE USED IN ANY WAY WITHOUT EXPRESS WRITTEN PERMISSION FROM AN AUTHORIZED REPRESENTATIVE OF ZF ELECTRONIC SYSTEMS.



ZF Electronic Systems

11200 88th AVE. PLEASANT PRAIRIE, WI 53158

NAME / DESCRIPTION
SPECIFICATION DRAWING

C	Z000371636	25-Jul-16	JPD	ELL
REV	ECO NO.	DATE	PREP	APVD

PROJECT/ CSR
4000000138

TOLERANCE UNLESS SPECIFIED			
DWG UNITS	X.XX	X.XXX	ANGLES
INCHES	± 0.02	± 0.015	± 5.0°

B ITEM NO. OE19-00A0
SCALE: 2:1 SH 1 OF 1