

NOTES (UNLESS OTHERWISE SPECIFIED):

- *SWITCH CHARACTERISTICS

PRE-TRAVEL	.250 MAX.
OPERATING POSITION	.656 TO .780
OVER TRAVEL	.187 MIN.
MOVEMENT DIFF. EACH POLE	.093 MAX.
OPERATING FORCE	grams 212 MAX.

ALL CHARACTERISTICS TAKEN AT ACTUATION LINE AND MEASURED FROM THE REFERENCE LINE.

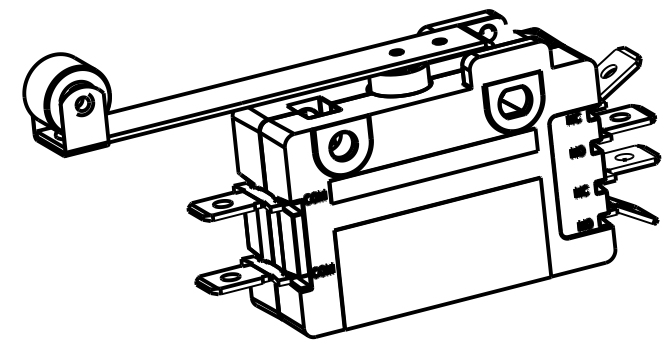
- UL** ELECTRICAL RATING

15A, 125/250 VAC
3/4 HP, 125 VAC;
1-1/2 HP, 250 VAC;

3. RECOGNIZED TO U.S. AND CANADIAN REQUIREMENTS UNDER THE COMPONENT RECOGNITION PROGRAM OF UNDERWRITERS LABORATORIES, INC.

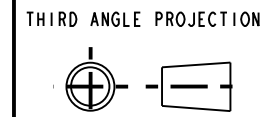
4. TEMPERATURE RATING: -40°C TO 105°C

5. TERMINALS ARE .250 WIDE X .032 THICK.



SHOWN IN A NON CLINCHED STATE
SCALE 1.000

DWN: JML
APVD: CJD
DATE: 16-Apr-97



CONFIDENTIAL AND PROPRIETARY: ALL INFORMATION OR INVENTIONS CONTAINED IN THIS DOCUMENT OR DERIVED FROM THE INFORMATION THEREIN IS OWNED BY ZF ELECTRONIC SYSTEMS, AND IS CONFIDENTIAL AND PROPRIETARY. REVIEW OR POSSESSION OF THIS DOCUMENT INDICATES AGREEMENT THAT SUCH INFORMATION AND INVENTIONS WILL NOT BE DISCLOSED, REPRODUCED OR OTHERWISE USED IN ANY WAY WITHOUT EXPRESS WRITTEN PERMISSION FROM AN AUTHORIZED REPRESENTATIVE OF ZF ELECTRONIC SYSTEMS.



ZF Electronic Systems

PLEASANT PRAIRIE, WISCONSIN U.S.A.

NAME / DESCRIPTION
SPECIFICATION DRAWING

D	Z000458181	24-May-18	JPD	ELL
REV	ECO NO.	DATE	PREP	APVD

PROJECT/ CSR

TOLERANCE UNLESS SPECIFIED			
DWG UNITS	X.XX	X.XXX	ANGLES
INCHES	± 0.02	± 0.015	± 5.0 °

B	ITEM NO.	0E19-00K0
SCALE:	2.000	SH 1 OF 1