

NOTES (UNLESS OTHERWISE SPECIFIED):

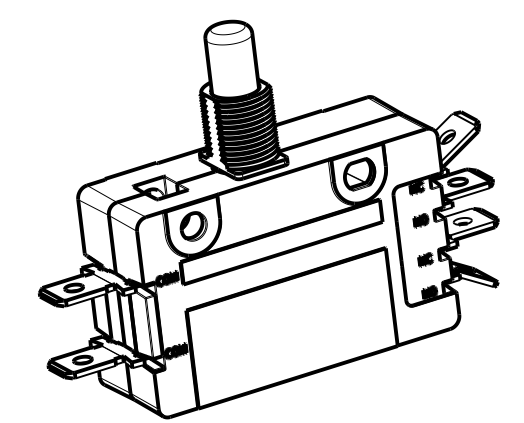
- \*SWITCH CHARACTERISTICS
 

REST POSITION	.875 MAX.
PRE-TRAVEL	.050 MAX.
OPERATING POSITION	.782 TO .842
OVER TRAVEL	.218 MIN.
MOVEMENT DIFF.	
EACH POLE	.015 MAX.
OPERATING FORCE grams	850 MAX.
RELEASE FORCE grams	170 MIN.

ALL CHARACTERISTICS ARE TAKEN AT THE ACTUATION LINE AND MEASURED FROM THE REFERENCE LINE.

- cNus** ELECTRICAL RATING
 

15A, 125/250 VAC
3/4 HP, 125 VAC;
1-1/2 HP, 250 VAC;
- RECOGNIZED TO U.S. AND CANADIAN REQUIREMENTS UNDER THE COMPONENT RECOGNITION PROGRAM OF UNDERWRITERS LABORATORIES, INC.
- TEMPERATURE RATING:  $-40^\circ\text{C}$  TO  $105^\circ\text{C}$
- TERMINALS ARE .250 WIDE X .032 THICK.



SHOWN IN A NON CLINCHED STATE  
SCALE 1.000

DWN: EV  
APVD: SL  
DATE: 15-Oct-90  
THIRD ANGLE PROJECTION

CONFIDENTIAL AND PROPRIETARY: ALL INFORMATION OR INVENTIONS CONTAINED IN THIS DOCUMENT OR DERIVED FROM THE INFORMATION THEREIN IS OWNED BY ZF ELECTRONIC SYSTEMS, AND IS CONFIDENTIAL AND PROPRIETARY. REVIEW OR POSSESSION OF THIS DOCUMENT INDICATES AGREEMENT THAT SUCH INFORMATION AND INVENTIONS WILL NOT BE DISCLOSED, REPRODUCED OR OTHERWISE USED IN ANY WAY WITHOUT EXPRESS WRITTEN PERMISSION FROM AN AUTHORIZED REPRESENTATIVE OF ZF ELECTRONIC SYSTEMS.



ZF Electronic Systems

PLEASANT PRAIRIE, WISCONSIN U.S.A.

NAME / DESCRIPTION

SPEC DRAWING

D	Z000458181	24-May-18	JPD	ELL
REV	ECO NO.	DATE	PREP	APVD

PROJECT/ CSR

TOLERANCE UNLESS SPECIFIED			
DWG UNITS	X.XX	X.XXX	ANGLES
INCHES	$\pm 0.02$	$\pm 0.015$	$\pm 5.0^\circ$

B	ITEM NO.	OE19-00M0
SCALE:	2.000	SH 1 OF 1