


NOTES (UNLESS OTHERWISE SPECIFIED):

- *SWITCH CHARACTERISTICS

PRE-TRAVEL	.312 MAX.
OPERATING POSITION	.625 TO .749
OVER TRAVEL	.187 MIN.
MOVEMENT DIFF.	
EACH POLE	.140 MAX.
OPERATING FORCE grams	150 MAX.
RELEASE FORCE grams	15 MIN.

ALL CHARACTERISTICS ARE TAKEN AT THE ACTUATION LINE AND MEASURED FROM THE REFERENCE LINE.

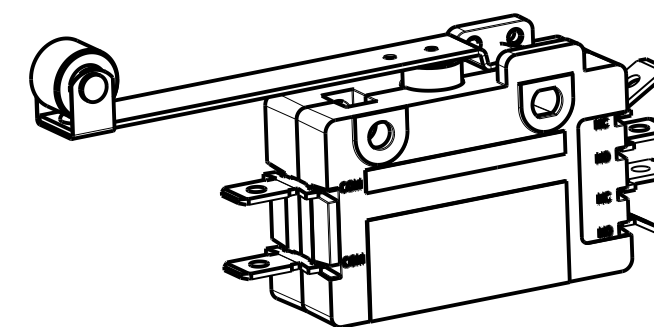
-  **UL** ELECTRICAL RATING

15A, 125/250 VAC
3/4 HP, 125 VAC;
1-1/2 HP, 250 VAC;

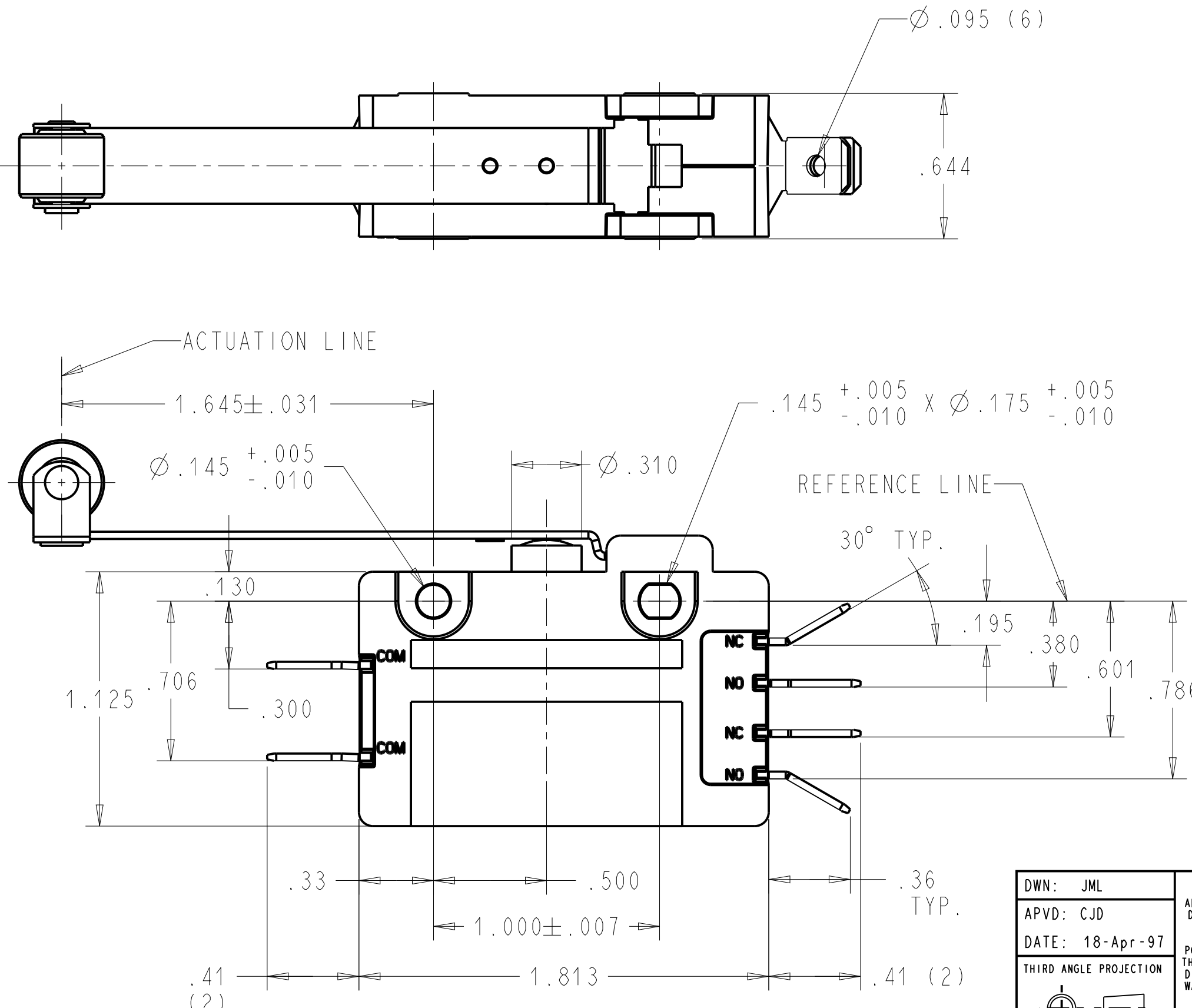
- RECOGNIZED TO U.S. AND CANADIAN REQUIREMENTS UNDER THE COMPONENT RECOGNITION PROGRAM OF UNDERWRITERS LABORATORIES, INC.

- TEMPERATURE RATING: -40°C TO 105°C

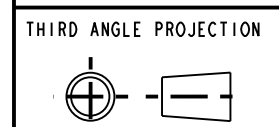
- TERMINALS ARE .250 WIDE X .032 THICK.




SHOWN IN A NON CLINCHED STATE
SCALE 1.000



DWN: JML
APVD: CJD
DATE: 18-Apr-97



CONFIDENTIAL AND PROPRIETARY:
ALL INFORMATION OR INVENTIONS CONTAINED IN THIS DOCUMENT OR DERIVED FROM THE INFORMATION THEREIN IS OWNED BY ZF ELECTRONIC SYSTEMS, AND IS CONFIDENTIAL AND PROPRIETARY. REVIEW OR POSSESSION OF THIS DOCUMENT INDICATES AGREEMENT THAT SUCH INFORMATION AND INVENTIONS WILL NOT BE DISCLOSED, REPRODUCED OR OTHERWISE USED IN ANY WAY WITHOUT EXPRESS WRITTEN PERMISSION FROM AN AUTHORIZED REPRESENTATIVE OF ZF ELECTRONIC SYSTEMS.

	
ZF Electronic Systems	
PLEASANT PRAIRIE, WISCONSIN U.S.A.	
NAME / DESCRIPTION	
SPECIFICATION DRAWING	
B	ITEM NO. 0E19-50K0

E	Z000458181	24-May-18	JPD	ELL
REV	ECO NO.	DATE	PREP	APVD

PROJECT/ CSR

TOLERANCE UNLESS SPECIFIED			
DWG UNITS	X.XX	X.XXX	ANGLES
INCHES	± 0.02	± 0.015	± 5.0°

SCALE:	2.000	SH 1 OF 1
--------	-------	-----------