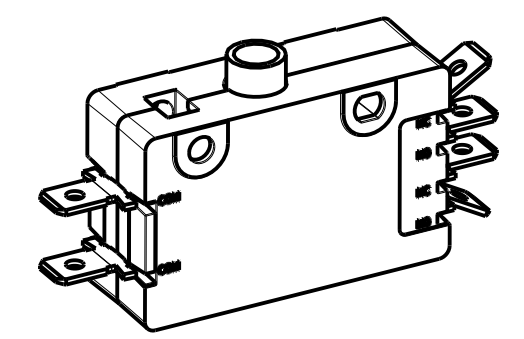


NOTES (UNLESS OTHERWISE SPECIFIED):

- \*SWITCH CHARACTERISTICS
 

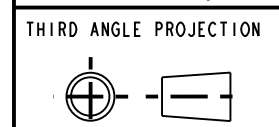
PRE-TRAVEL	.100 MAX.
OPERATING POSITION	.218 TO .278
OVER TRAVEL	.050 MIN.
MOVEMENT DIFF.	
EACH POLE	.015 MAX.
OPERATING FORCE grams	1280 MAX.
RELEASE FORCE grams	170 MIN.
- ALL CHARACTERISTICS ARE TAKEN AT THE ACTUATION LINE AND MEASURED FROM THE REFERENCE LINE.
- UL** ELECTRICAL RATING
 

20A, 125/250 VAC;
1 H.P. 125 VAC;
2 H.P. 250 VAC;
- RECOGNIZED TO U.S. AND CANADIAN REQUIREMENTS UNDER THE COMPONENT RECOGNITION PROGRAM OF UNDERWRITERS LABORATORIES, INC.
- TEMPERATURE RATING: -40°C TO 105°C
- TERMINALS ARE .250 WIDE X .032 THICK.



SHOWN IN A NON CLINCHED STATE  
SCALE 1.000

DWN: TLM  
 APVD: MWR  
 DATE: 07-May-03



CONFIDENTIAL AND PROPRIETARY:  
 ALL INFORMATION OR INVENTIONS CONTAINED IN THIS DOCUMENT OR DERIVED FROM THE INFORMATION THEREIN IS OWNED BY ZF ELECTRONIC SYSTEMS, AND IS CONFIDENTIAL AND PROPRIETARY. REVIEW OR POSSESSION OF THIS DOCUMENT INDICATES AGREEMENT THAT SUCH INFORMATION AND INVENTIONS WILL NOT BE DISCLOSED, REPRODUCED OR OTHERWISE USED IN ANY WAY WITHOUT EXPRESS WRITTEN PERMISSION FROM AN AUTHORIZED REPRESENTATIVE OF ZF ELECTRONIC SYSTEMS.



NAME / DESCRIPTION  
**SPEC DRAWING**

C	Z000371638	25-Jul-16	JPD	ELL
REV	ECO NO.	DATE	PREP	APVD

PROJECT/ CSR  
 4000000138

TOLERANCE UNLESS SPECIFIED			
DWG UNITS	X.XX	X.XXX	ANGLES
INCHES	± 0.02	± 0.015	± 5.0°

B ITEM NO. 0E20-00A0  
 SCALE: 2.000 SH 1 OF 1