

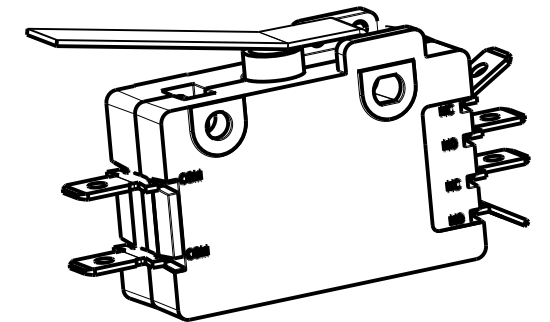
NOTES UNLESS OTHERWISE SPECIFIED

- *SWITCH CHARACTERISTICS

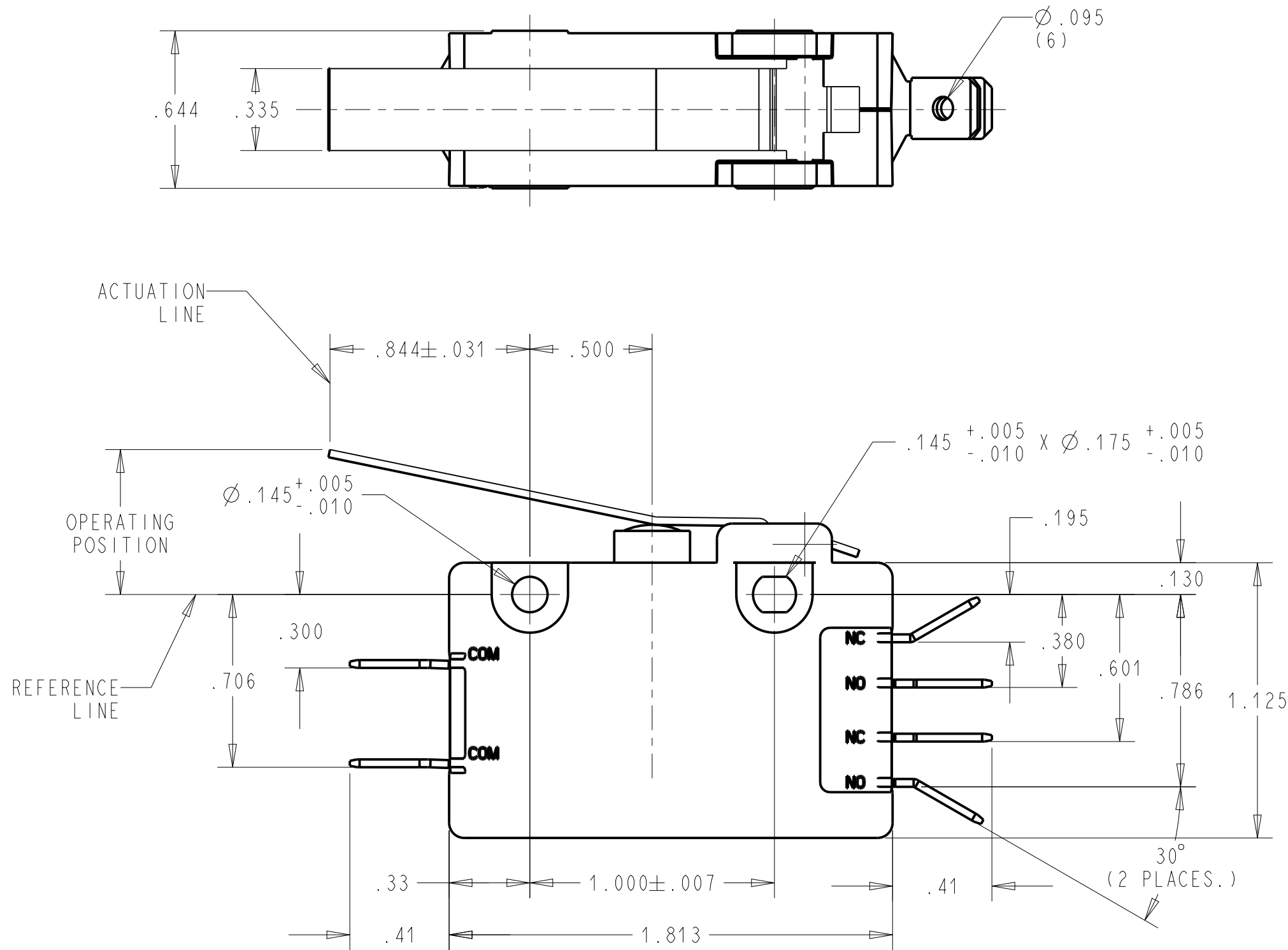
REST POSITION	.842 MAX.
PRE-TRAVEL	.330 MAX.
OPERATING POSITION	.406 TO .530
OVER TRAVEL	.156 MIN.
MOVEMENT DIFF. EACH POLE	.050 MAX.
OPERATING FORCE grams	425 MAX.
RELEASE FORCE grams	50 MIN.

ALL CHARACTERISTICS ARE TAKEN AT THE ACTUATION LINE AND MEASURED FROM THE REFERENCE LINE.

- UL** ELECTRICAL RATING
 20A, 125/250 VAC
 1 HP, 125VAC
 2 HP, 250VAC
- TERMINALS: .250 WIDE x .032 THICK.
- TEMPERATURE RATING -40°C TO +105°C
- RECOGNIZED TO U.S. AND CANADIAN REQUIREMENTS UNDER THE COMPONENT RECOGNITION PROGRAM OF UNDERWRITERS LABORATORIES, INC.



SHOWN IN A NON CLINCHED STATE
SCALE 1.000



DWN: RAK
 APVD: RAK
 DATE: 03/24/71

THIRD ANGLE PROJECTION

CONFIDENTIAL AND PROPRIETARY: ALL INFORMATION OR INVENTIONS CONTAINED IN THIS DOCUMENT OR DERIVED FROM THE INFORMATION THEREIN IS OWNED BY ZF ELECTRONIC SYSTEMS, AND IS CONFIDENTIAL AND PROPRIETARY. REVIEW OR POSSESSION OF THIS DOCUMENT INDICATES AGREEMENT THAT SUCH INFORMATION AND INVENTIONS WILL NOT BE DISCLOSED, REPRODUCED OR OTHERWISE USED IN ANY WAY WITHOUT EXPRESS WRITTEN PERMISSION FROM AN AUTHORIZED REPRESENTATIVE OF ZF ELECTRONIC SYSTEMS.



11200 88th AVE. PLEASANT PRAIRIE, WI 53158
 NAME / DESCRIPTION

SPECIFICATION DRAWING

C	Z000371638	25-Jul-16	JPD	ELL
REV	ECO NO.	DATE	PREP	APVD

PROJECT/ CSR
 4000000138

TOLERANCE UNLESS SPECIFIED			
DWG UNITS	X.XX	X.XXX	ANGLES
INCH	± 0.02	± 0.015	± 5.0°

B ITEM NO. 0E20-00H0
 SCALE: 2.000 SH 1 OF 1

ORIGINAL ON PRO/E