

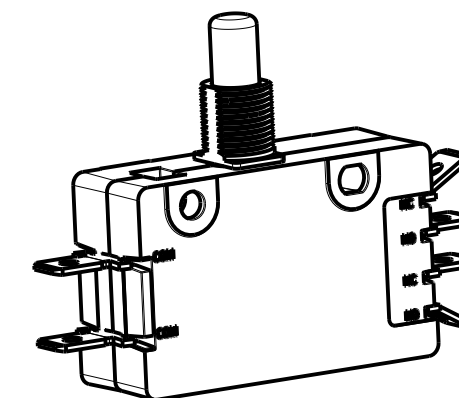
NOTES (UNLESS OTHERWISE SPECIFIED):

1. \*SWITCH CHARACTERISTICS
 

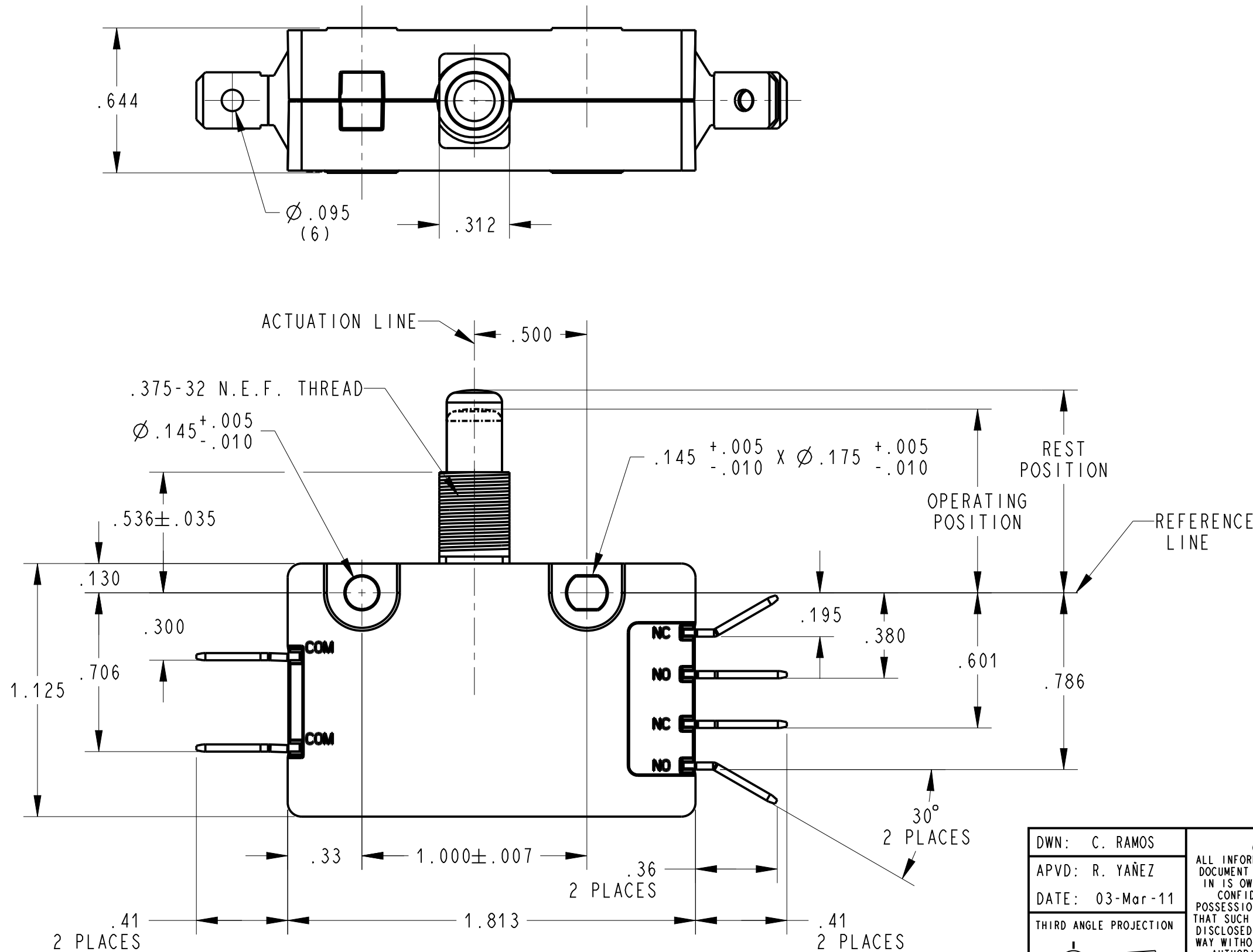
REST POSITION	.875 MAX.
PRETRAVEL	.100 MAX.
OPERATING POSITION	.744 TO .804
OVER TRAVEL	.188 MIN.
MOVEMENT DIFF. EACH POLE	.015 MAX.
OPERATING FORCE grams	1280 MAX.
RELEASE FORCE grams	170 MIN.

ALL CHARACTERISTICS ARE TAKEN AT THE ACTUATION LINE AND MEASURED FROM THE REFERENCE LINE.

2. **UL** ELECTRICAL RATING  
 20A, 125/250 VAC;  
 1 H.P. 125 VAC;  
 2 H.P. 250 VAC;
3. TERMINALS ARE .250 WIDE X .032 THICK.
4. RECOGNIZED TO U.S. AND CANADIAN REQUIREMENTS UNDER THE COMPONENT RECOGNITION PROGRAM OF UNDERWRITERS LABORATORIES, INC.
5. TEMPERATURE RATING: -40°C TO 105°C



SHOWN IN A NON CLINCHED STATE  
SCALE 1:1



DWN: C. RAMOS  
 APVD: R. YAÑEZ  
 DATE: 03-Mar-11

THIRD ANGLE PROJECTION

PROJECT/ CSR  
 4000000138

CONFIDENTIAL AND PROPRIETARY:  
 ALL INFORMATION OR INVENTIONS CONTAINED IN THIS DOCUMENT OR DERIVED FROM THE INFORMATION THEREIN IS OWNED BY ZF ELECTRONIC SYSTEMS, AND IS CONFIDENTIAL AND PROPRIETARY. REVIEW OR POSSESSION OF THIS DOCUMENT INDICATES AGREEMENT THAT SUCH INFORMATION AND INVENTIONS WILL NOT BE DISCLOSED, REPRODUCED OR OTHERWISE USED IN ANY WAY WITHOUT EXPRESS WRITTEN PERMISSION FROM AN AUTHORIZED REPRESENTATIVE OF ZF ELECTRONIC SYSTEMS.

TOLERANCE UNLESS SPECIFIED			
DWG UNITS	X.XX	X.XXX	ANGLES
INCH	± 0.02	± 0.015	± 5.0 °



ZF Electronic Systems

11200 88th AVE. PLEASANT PRAIRIE, WI 53158  
 NAME / DESCRIPTION

SPEC DRAWING

B ITEM NO. OE20-00M0  
 SCALE: 2:1 SH 1 OF 1

B	Z000371638	10-Jun-16	JPD	ELL
REV	ECO NO.	DATE	PREP	APVD

ORIGINAL ON PRO/E