


8 7 6 5 4 3 2 1

NOTES (UNLESS OTHERWISE SPECIFIED):

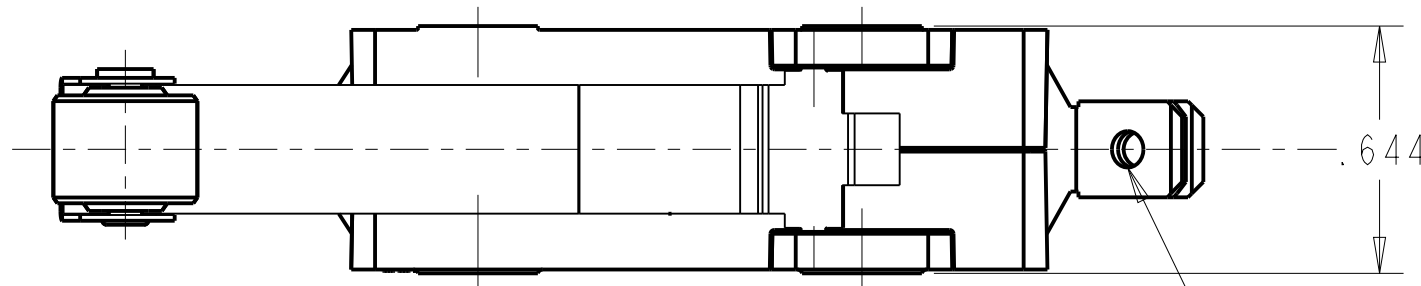
- 1. \*SWITCH CHARACTERISTICS
 

REST POSITION	1.373 MAX.
PRE-TRAVEL	.525 MAX.
OPERATING POSITION	.766 TO .890
OVER TRAVEL	.146 MIN.
MOVEMENT DIFF. EACH POLE	.075 MAX.
OPERATING FORCE grams	311 MAX.
RELEASE FORCE grams	29 MIN.

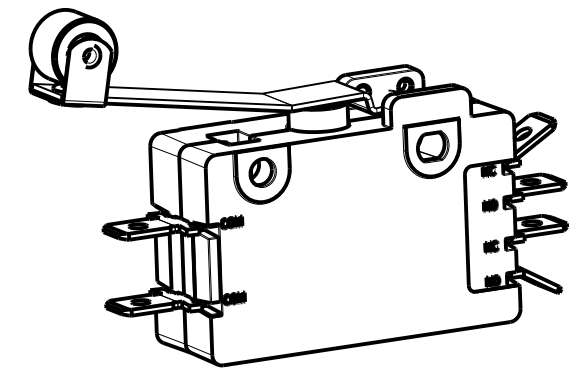
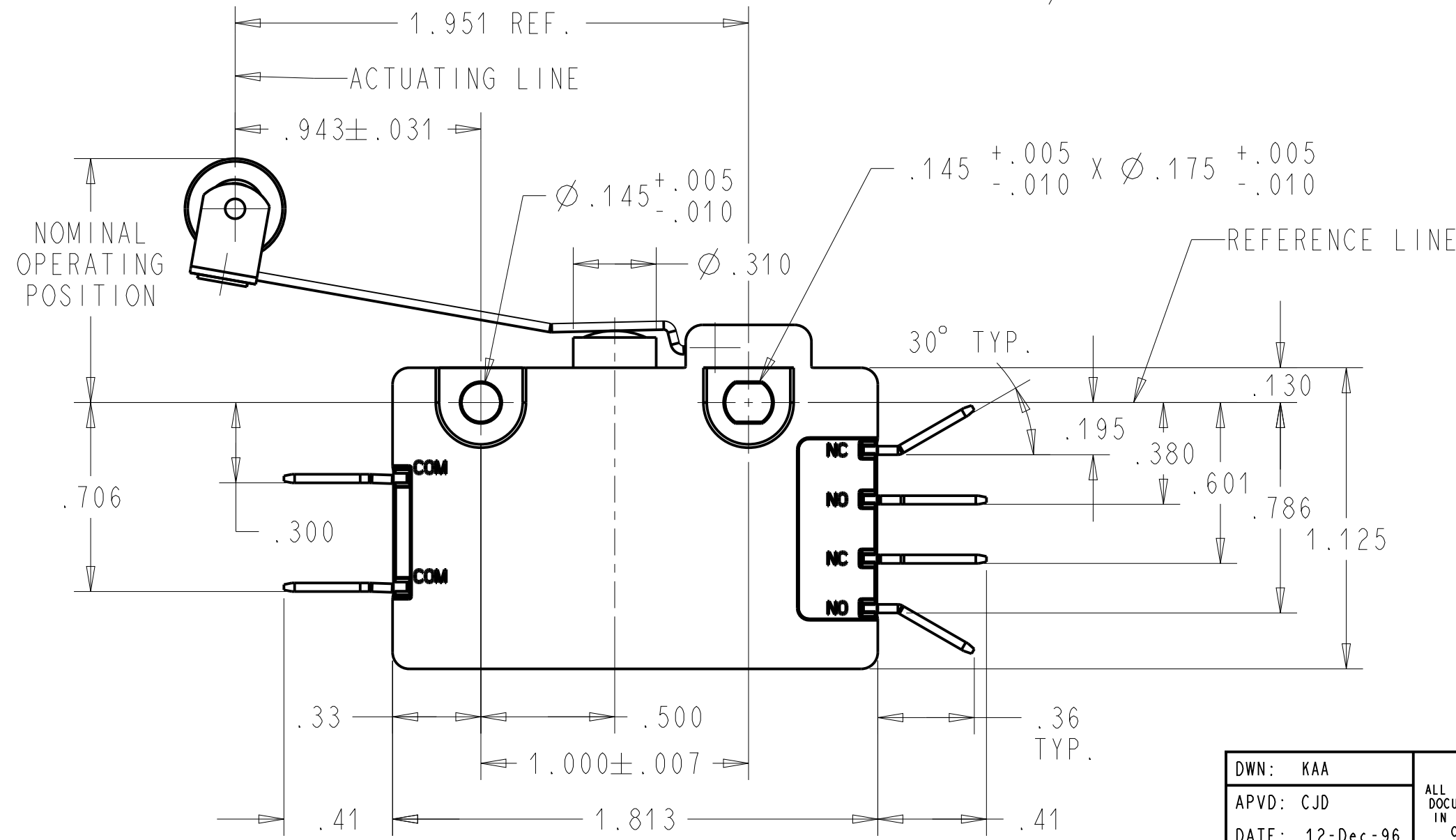
ALL CHARACTERISTICS ARE TAKEN AT THE ACTUATING LINE AND MEASURED FROM THE REFERENCE LINE.

- 2.  **us** ELECTRICAL RATING
 

20 AMPS 125/250 VAC
1 H.P. 125 VAC
2 H.P. 250 VAC
- 3. TERMINALS ARE .250 WIDTH x .032 THICKNESS.
- 4. RECOGNIZED TO U.S. AND CANADIAN REQUIREMENTS UNDER THE COMPONENT RECOGNITION PROGRAM OF UNDERWRITERS LABORATORIES, INC.
- 5. TEMPERATURE RATING -40°C TO +105°C

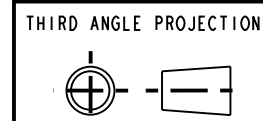


Ø .095 (6)



SHOWN IN A NON CLINCHED STATE  
SCALE 1.000

DWN: KAA  
APVD: CJD  
DATE: 12-Dec-96



PROJECT/ CSR  
4000000138

CONFIDENTIAL AND PROPRIETARY:  
ALL INFORMATION OR INVENTIONS CONTAINED IN THIS DOCUMENT OR DERIVED FROM THE INFORMATION THEREIN IS OWNED BY ZF ELECTRONIC SYSTEMS, AND IS CONFIDENTIAL AND PROPRIETARY. REVIEW OR POSSESSION OF THIS DOCUMENT INDICATES AGREEMENT THAT SUCH INFORMATION AND INVENTIONS WILL NOT BE DISCLOSED, REPRODUCED OR OTHERWISE USED IN ANY WAY WITHOUT EXPRESS WRITTEN PERMISSION FROM AN AUTHORIZED REPRESENTATIVE OF ZF ELECTRONIC SYSTEMS.

TOLERANCE UNLESS SPECIFIED			
DWG UNITS	X.XX	X.XXX	ANGLES
INCHES	± 0.02	± 0.015	± 5.0 °



ZF Electronic Systems

11200 88th AVE. PLEASANT PRAIRIE, WI 53158

NAME / DESCRIPTION  
**SPECIFICATION DRAWING**

B ITEM NO. 0E20-50K0

SCALE: 2.000 SH 1 OF 1

REV	ECO NO.	DATE	PREP	APVD
B	Z000371638	25-Jul-16	JPD	ELL

F  
E  
D  
C  
B  
A

F  
E  
D  
C  
B  
A

8 7 6 5 4 3 2 1