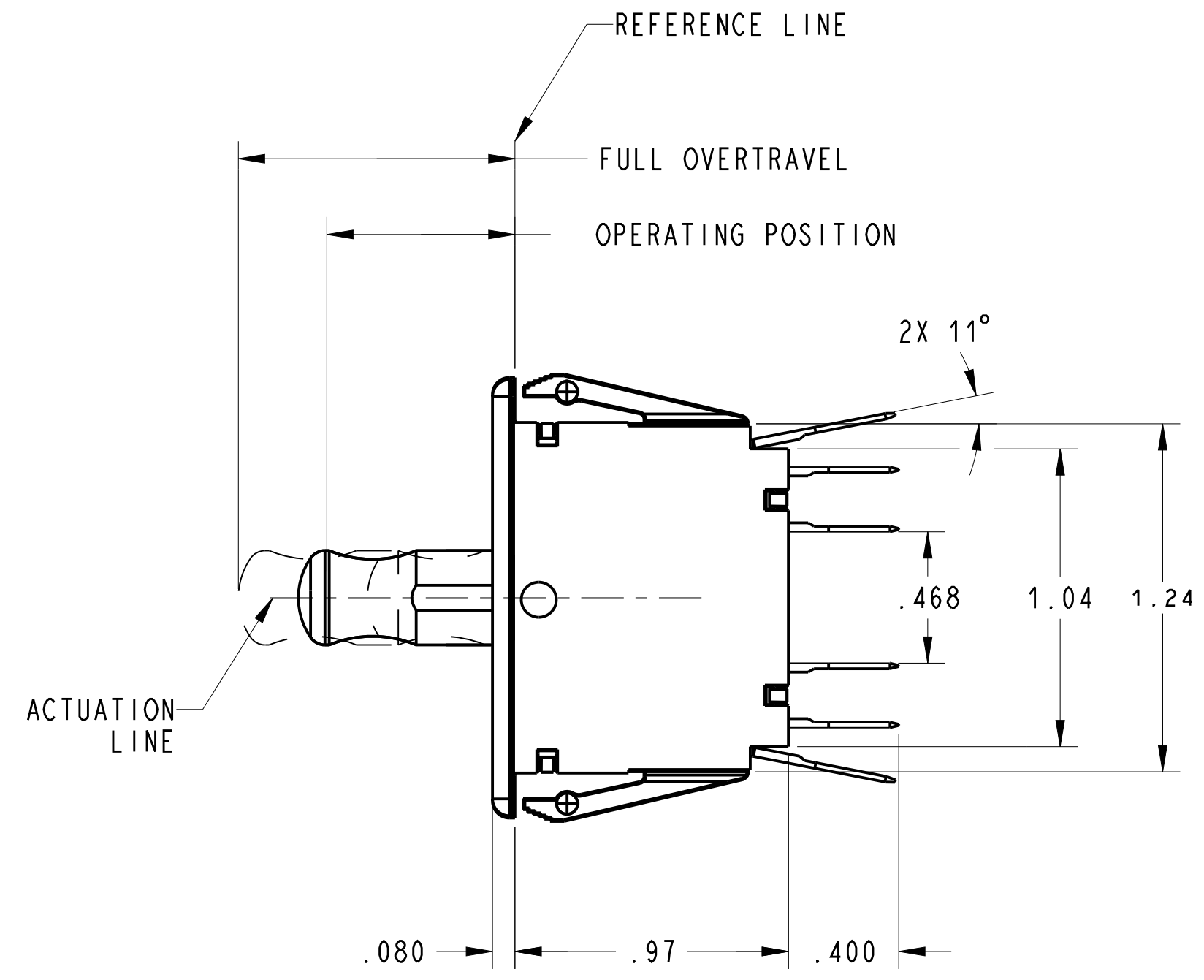
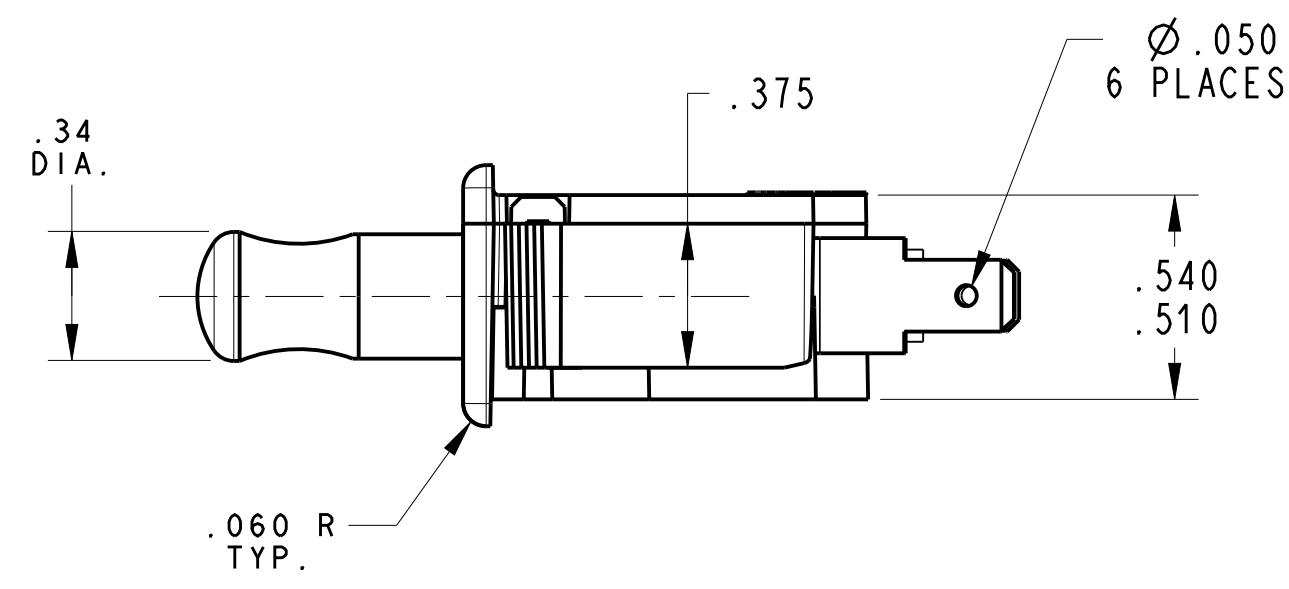
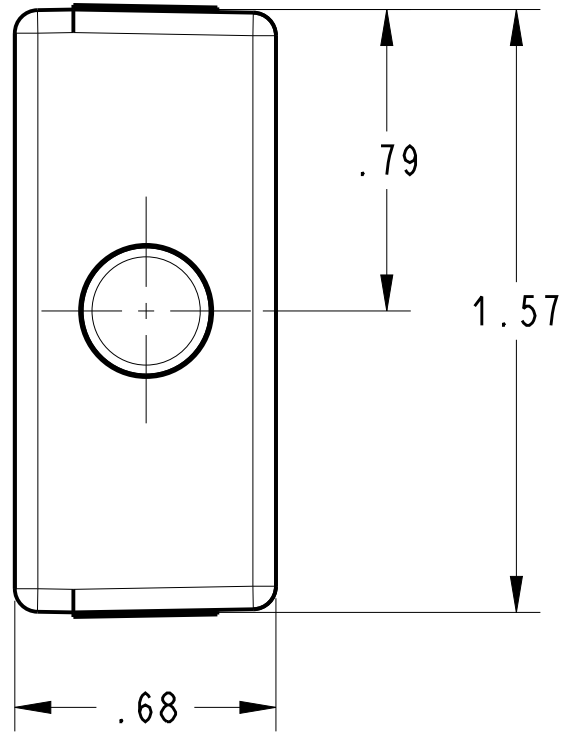


PANEL CUTOUT DETAIL  
RECOMMENDED  
PANEL THICKNESS  
.045-.100



NOTES: (UNLESS OTHERWISE SPECIFIED)

1. SWITCH CHARACTERISTICS:

REST POSITION	.730 TO .790
OPERATION POSITION	.610 TO .710
PRETRAVEL	.125 MAX.
OVER-TRAVEL	.100 MIN.
MOVEMENT DIFF	.075 MAX.
OPERATING FORCE	grams 757 MAX.
RELEASE FORCE	grms 113 MIN.

BUTTON POSITION  
AT FULL OVERTRAVEL .520 MAX.

CHEAT INTERLOCK CHARACTERISTICS:

OPERATING POSITION	.800 TO .900
PRETRAVEL	.155 MAX.
OVERTRAVEL	.030 MIN.
MOVE. DIFF.	.090 MAX.
FULL OVERTRAVEL	.980 MAX.
OPER. FORCE	grams 800 MAX.

ALL CHARACTERISTICS ARE TAKEN AT THE ACTUATION LINE AND MEASURED FROM THE REFERENCE LINE.

2. **us** ELECTRICAL RATING:

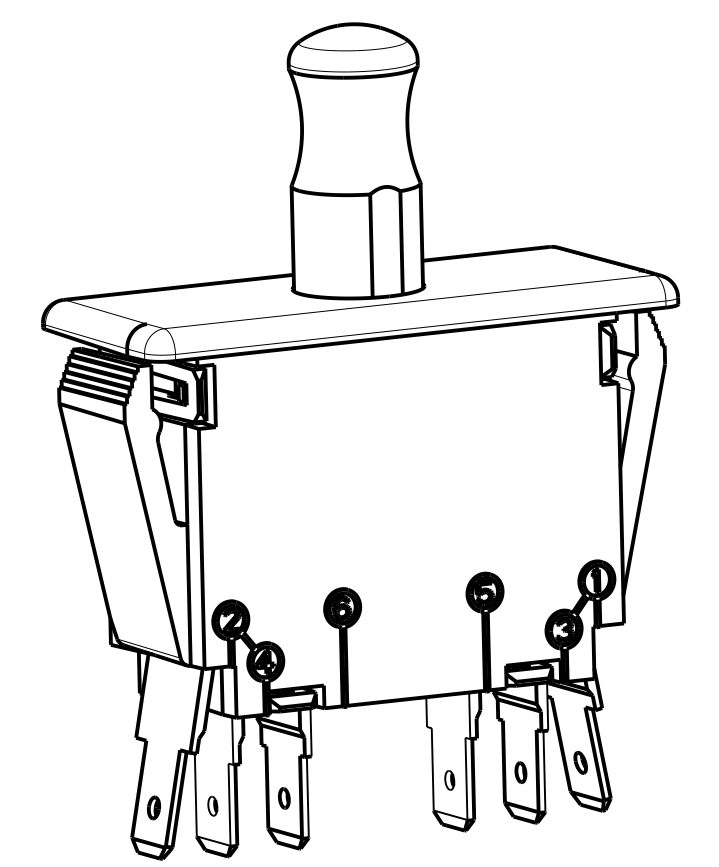
0.1A, 125 VAC  
0.1A, 30 VDC

3. TERMINALS:

ARE .187 WIDTH x .020 THICKNESS.  
QUICK CONNECT.

4. RECOGNIZED TO U.S. AND CANADIAN REQUIREMENTS UNDER THE COMPONENT RECOGNITION PROGRAM OF UNDERWRITERS LABORATORIES, INC

5. TEMPERATURE RATING: -40°C TO 85°C



DWN: HV	CONFIDENTIAL AND PROPRIETARY: ALL INFORMATION OR INVENTIONS CONTAINED IN THIS DOCUMENT OR DERIVED FROM THE INFORMATION THEREIN IS OWNED BY ZF ELECTRONIC SYSTEMS, AND IS CONFIDENTIAL AND PROPRIETARY. REVIEW OR POSSESSION OF THIS DOCUMENT INDICATES AGREEMENT THAT SUCH INFORMATION AND INVENTIONS WILL NOT BE DISCLOSED, REPRODUCED OR OTHERWISE USED IN ANY WAY WITHOUT EXPRESS WRITTEN PERMISSION FROM AN AUTHORIZED REPRESENTATIVE OF ZF ELECTRONIC SYSTEMS.	ZF Electronic Systems PLEASANT PRAIRIE, WISCONSIN U.S.A. NAME / DESCRIPTION															
APVD: RC																	
DATE: 05-Jul-05																	
THIRD ANGLE PROJECTION	TOLERANCE UNLESS SPECIFIED DWG UNITS X.XX X.XXX ANGLES INCHES ± 0.02 ± 0.015 ± 5.0 °	SPECIFICATION DRAWING C ITEM NO. 0E78-30A0 SCALE: 2:1 SH 1 OF 1															
<table border="1"> <tr> <td>G</td> <td>Z000459178</td> <td>06-Jun-18</td> <td>JPD</td> <td>ELL</td> </tr> <tr> <td>REV</td> <td>ECO NO.</td> <td>DATE</td> <td>PREP</td> <td>APVD</td> </tr> <tr> <td></td> <td></td> <td></td> <td></td> <td></td> </tr> </table>	G	Z000459178	06-Jun-18	JPD	ELL	REV	ECO NO.	DATE	PREP	APVD						PROJECT/ CSR	N/A
G	Z000459178	06-Jun-18	JPD	ELL													
REV	ECO NO.	DATE	PREP	APVD													

ORIGINAL ON PRO/E