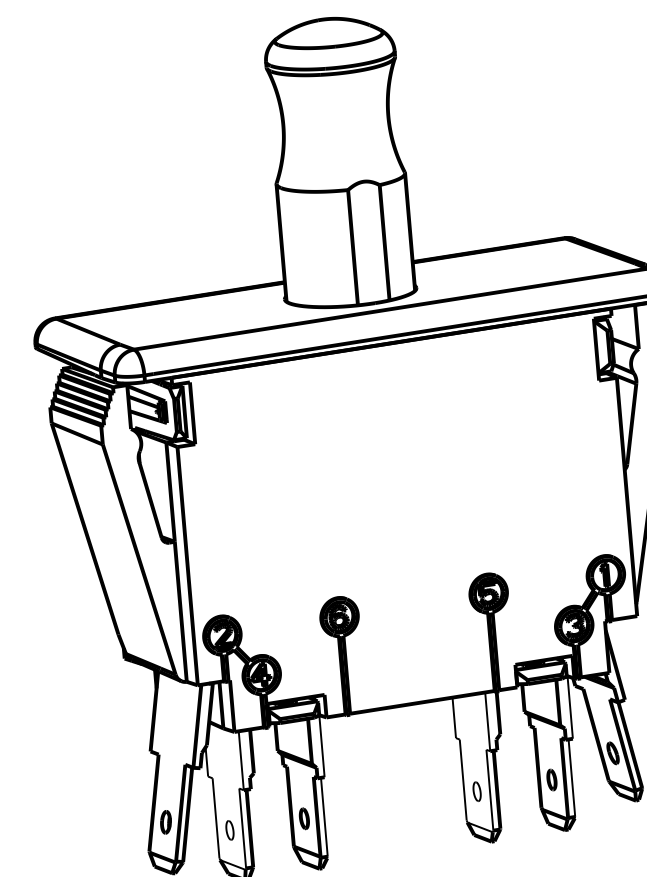
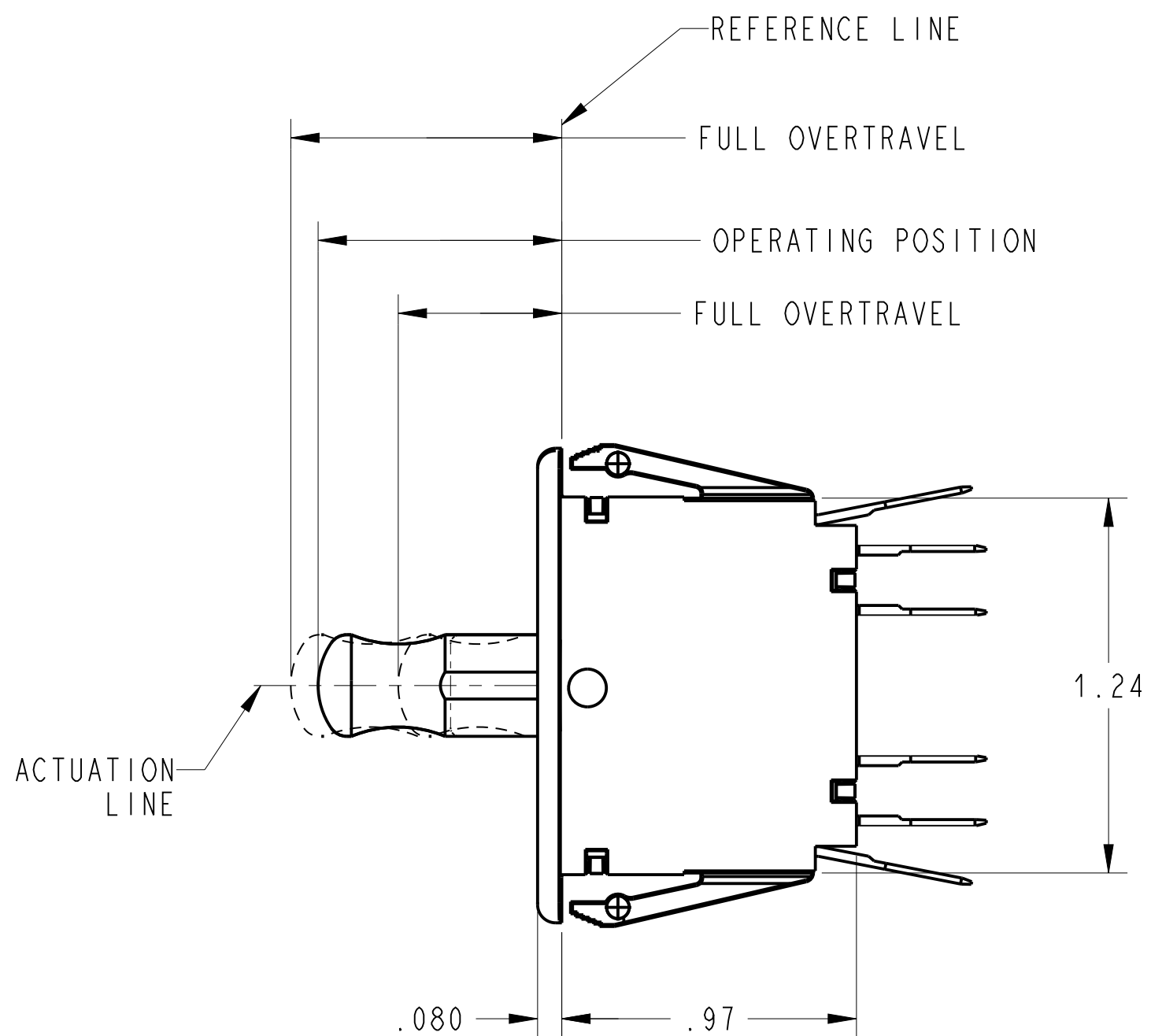
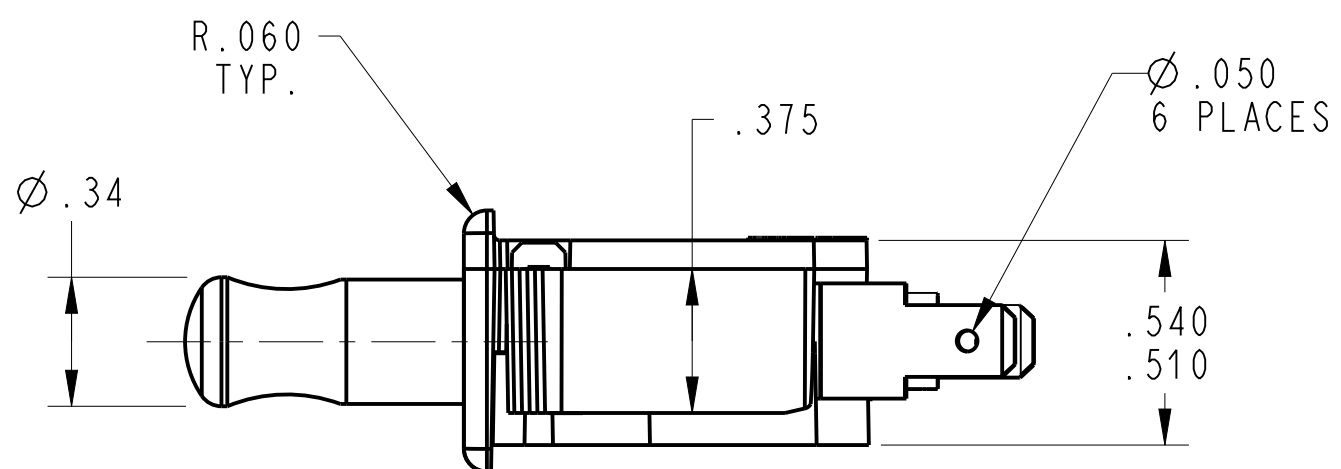
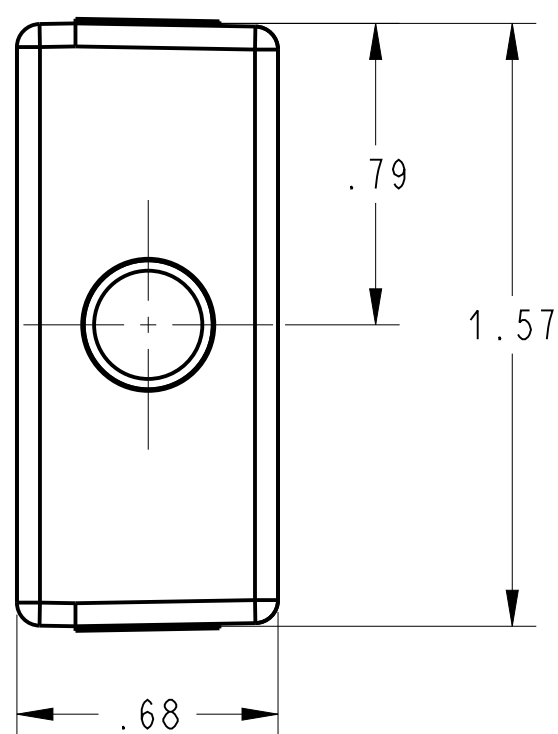


PANEL CUTOUT DETAIL
RECOMMENDED
PANEL THICKNESS
.045 - .100



NOTES: (UNLESS OTHERWISE SPECIFIED)

1. SWITCH CHARACTERISTICS:

REST POSITION	-----	.730 TO .790
PRE-TRAVEL	-----	.125 MAX.
OPERATING POS.	-----	.610 TO .710
OVERTRAVEL	-----	.100 MIN.
MOVE DIFF.	-----	.075 MAX.
OPERATING FORCE grams	-----	757 MAX.
RELEASE FORCE grams	-----	113 MIN.

BUTTON POSITION
AT FULL OVERTRAVEL. .520 MAX.

ALL CHARACTERISTICS ARE TAKEN AT THE ACTUATION LINE AND MEASURED FROM THE REFERENCE LINE.

CHEAT INTERLOCK CHARACTERISTICS:

OPERATING POS.	-----	.800 TO .900
PRE-TRAVEL	-----	.155 MAX.
OVERTRAVEL	-----	.030 MIN.
MOVE DIFF.	-----	.090 MAX.
FULL OVER-TRAVEL:	-----	.980 MAX.

2. **UL**us ELECTRICAL RATINGS:

10 AMPS 125/250 VAC
1/3 HP 125/250 VAC

3. TERMINALS:

ARE .187 WIDE X .020 THICKNESS.

4. RECOGNIZED TO U.S. AND CANADIAN REQUIREMENTS UNDER THE COMPONENT RECOGNITION PROGRAM OF UNDERWRITERS LABORATORIES, INC.

5. TEMPERATURE RATINGS: -40°C TO +85°C

DWN: TLM	CONFIDENTIAL AND PROPRIETARY: ALL INFORMATION OR INVENTIONS CONTAINED IN THIS DOCUMENT OR DERIVED FROM THE INFORMATION THEREIN IS OWNED BY ZF ELECTRONIC SYSTEMS, AND IS CONFIDENTIAL AND PROPRIETARY. REVIEW OR POSSESSION OF THIS DOCUMENT INDICATES AGREEMENT THAT SUCH INFORMATION AND INVENTIONS WILL NOT BE DISCLOSED, REPRODUCED OR OTHERWISE USED IN ANY WAY WITHOUT EXPRESS WRITTEN PERMISSION FROM AN AUTHORIZED REPRESENTATIVE OF ZF ELECTRONIC SYSTEMS.	ZF Electronic Systems PLEASANT PRAIRIE, WISCONSIN U.S.A. NAME / DESCRIPTION										
APVD: SDK			SPECIFICATION DRAWING C ITEM NO. 0E79-30A0 SCALE: 2:1 SH 1 OF 1									
DATE: 09-Mar-91												
THIRD ANGLE PROJECTION	TOLERANCE UNLESS SPECIFIED DWG UNITS X.XX X.XXX ANGLES INCHES ± 0.02 ± 0.015 ± 5.0 °											
<table border="1"> <tr> <td>H</td> <td>Z000460850</td> <td>14-Jun-18</td> <td>JPD</td> <td>ELL</td> </tr> <tr> <td>REV</td> <td>ECO NO.</td> <td>DATE</td> <td>PREP</td> <td>APVD</td> </tr> </table>	H	Z000460850	14-Jun-18	JPD	ELL	REV	ECO NO.	DATE	PREP	APVD	PROJECT/ CSR	N/A
H	Z000460850	14-Jun-18	JPD	ELL								
REV	ECO NO.	DATE	PREP	APVD								

ORIGINAL ON PRO/E