

NOTES: (UNLESS OTHERWISE SPECIFIED)

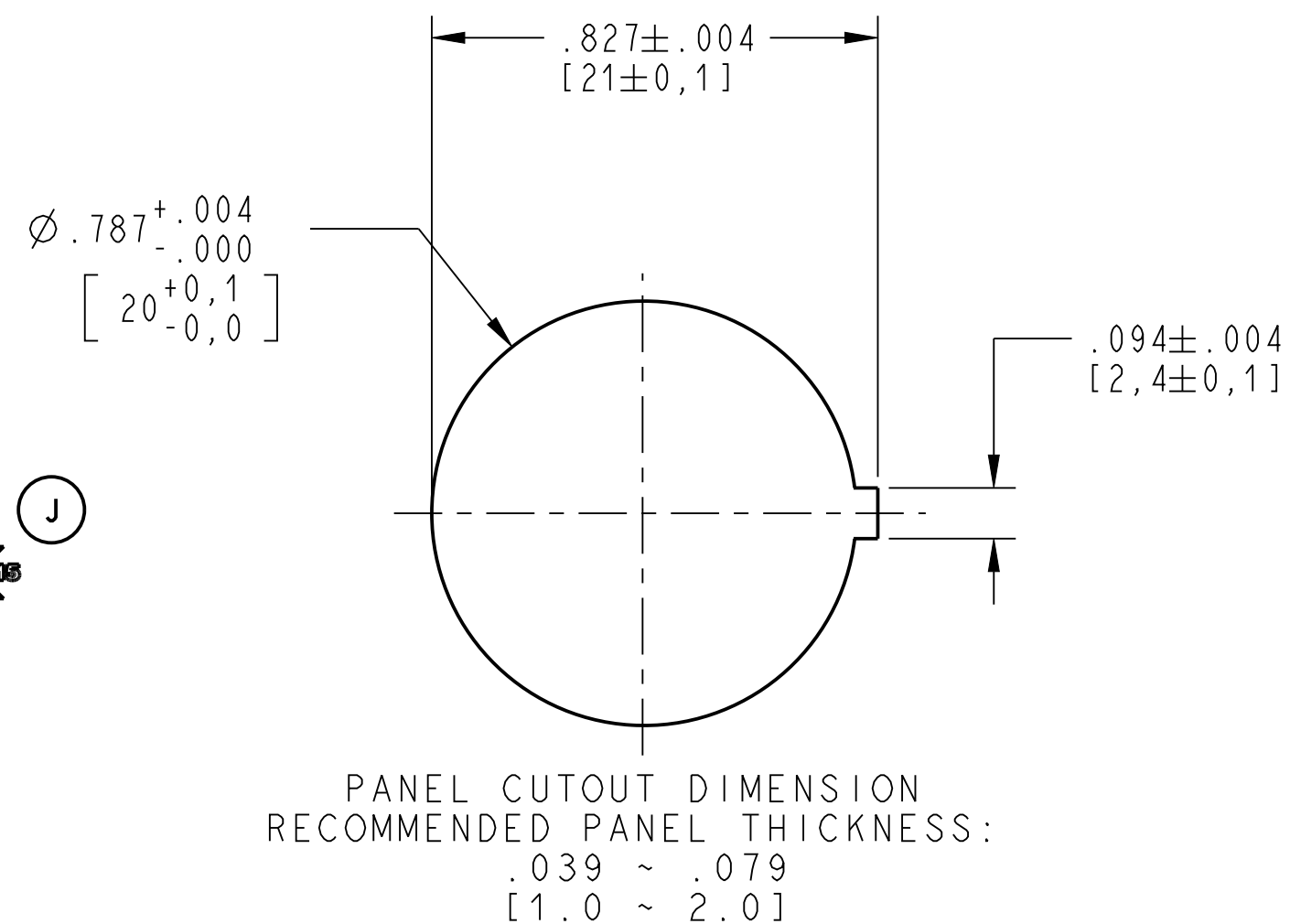
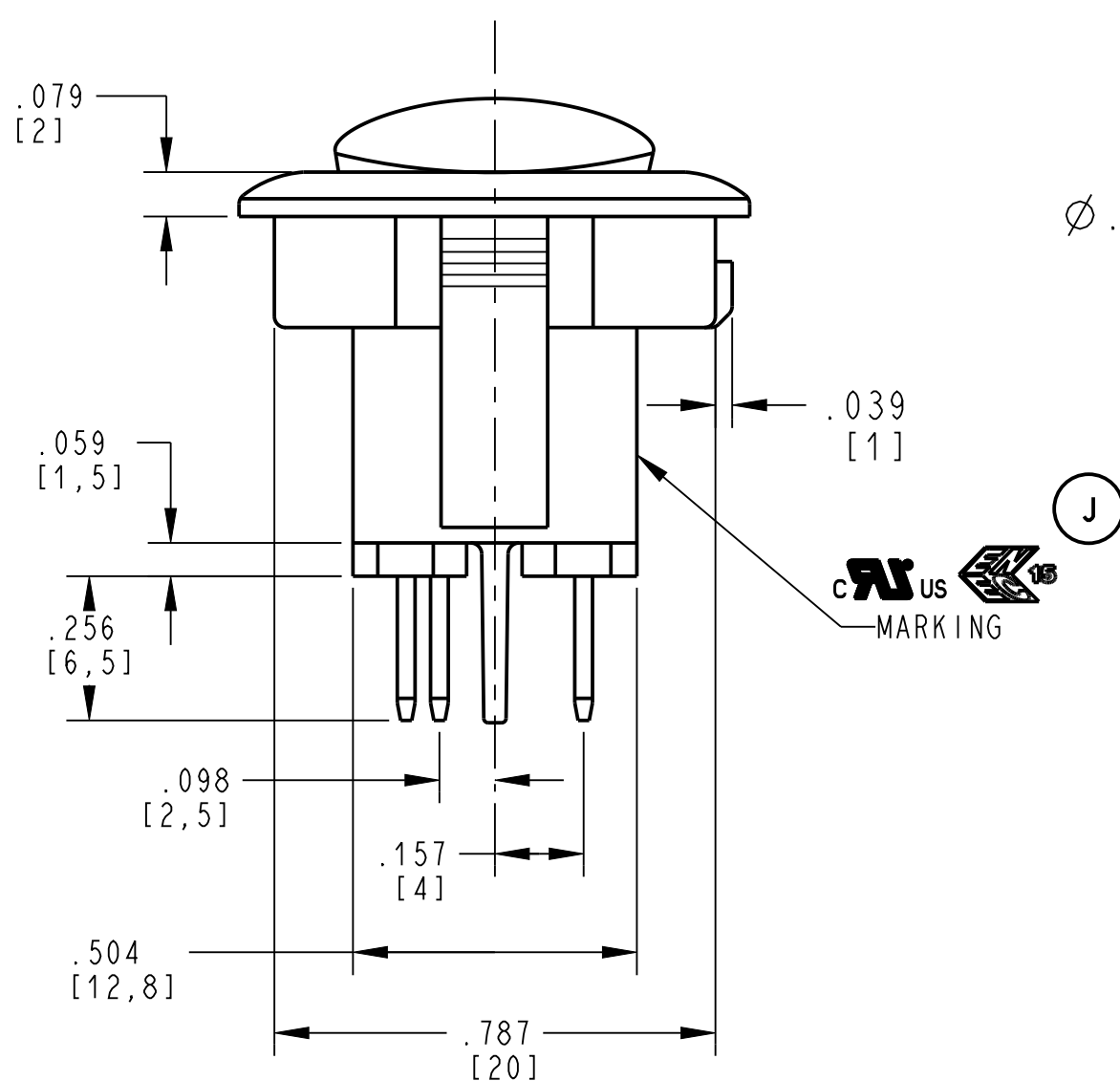
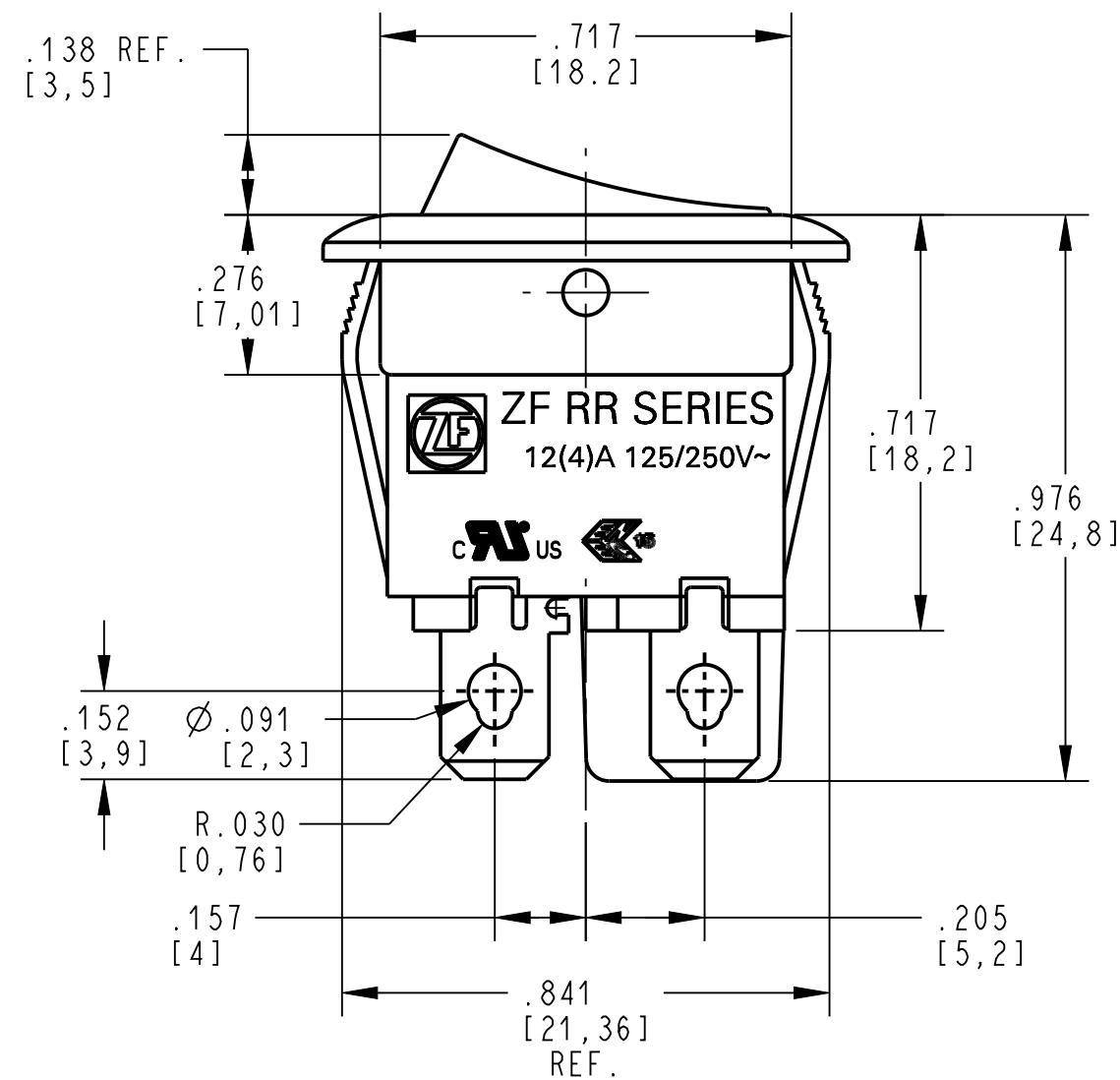
1. RATING TO BE MARKED ON ROCKER:

10A 125VAC
 8A 250VAC
 1/4HP 125/250VAC

J CE 10(4)A 250V~T125/55 10E3

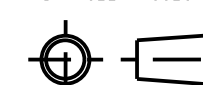
J 12(4)A 125/250V~

2. INITIAL CONTACT RESISTANCE: 20m Ω (MAX.)
3. INSULATION RESISTANCE: 100M Ω MIN. AT 500VDC.
4. DIELECTRIC STRENGTH: 1500VAC FOR 1 MINUTE.
5. TERMINALS (3): .185+.004/- .002 [4,7+0,1/-0,05]
 X .031±.001 [0,8±0,03].
6. ILLUMINATED: 100~125VAC.



DWN: TLM
 APVD: SG
 DATE: 03-Jul-03

THIRD ANGLE PROJECTION



CONFIDENTIAL AND PROPRIETARY:
 ALL INFORMATION OR INVENTIONS CONTAINED IN THIS DOCUMENT OR DERIVED FROM THE INFORMATION THEREIN IS OWNED BY ZF ELECTRONIC SYSTEMS, AND IS CONFIDENTIAL AND PROPRIETARY. REVIEW OR POSSESSION OF THIS DOCUMENT INDICATES AGREEMENT THAT SUCH INFORMATION AND INVENTIONS WILL NOT BE DISCLOSED, REPRODUCED OR OTHERWISE USED IN ANY WAY WITHOUT EXPRESS WRITTEN PERMISSION FROM AN AUTHORIZED REPRESENTATIVE OF ZF ELECTRONIC SYSTEMS.



ZF Electronic Systems

PLEASANT PRAIRIE, WISCONSIN U.S.A.

NAME / DESCRIPTION

SPEC DRAWING

J	Z000689143	5-9-2023	TCH	ELL
REV	ECO NO.	DATE	PREP	APVD

PROJECT/ CSR	DWG UNITS	X.XX	X.XXX	ANGLES
N/A	INCHES	± 0.02	± 0.012	± 5.0 °

C	ITEM NO.	RRA22H3BBGLN
SCALE:	3:1	SH 1 OF 1

ORIGINAL ON PRO/E