



NOTES: (UNLESS OTHERWISE SPECIFIED)

1. RATING TO BE MARKED ON ROCKER:

**CAUS** 10A 125VAC  
**CAUS** 8A 250VAC  
 1/4HP 125/250VAC

(J) **CE**  10(4)A 250V~T125/55 10E3

**CAUS**  12(4)A 125/250V~

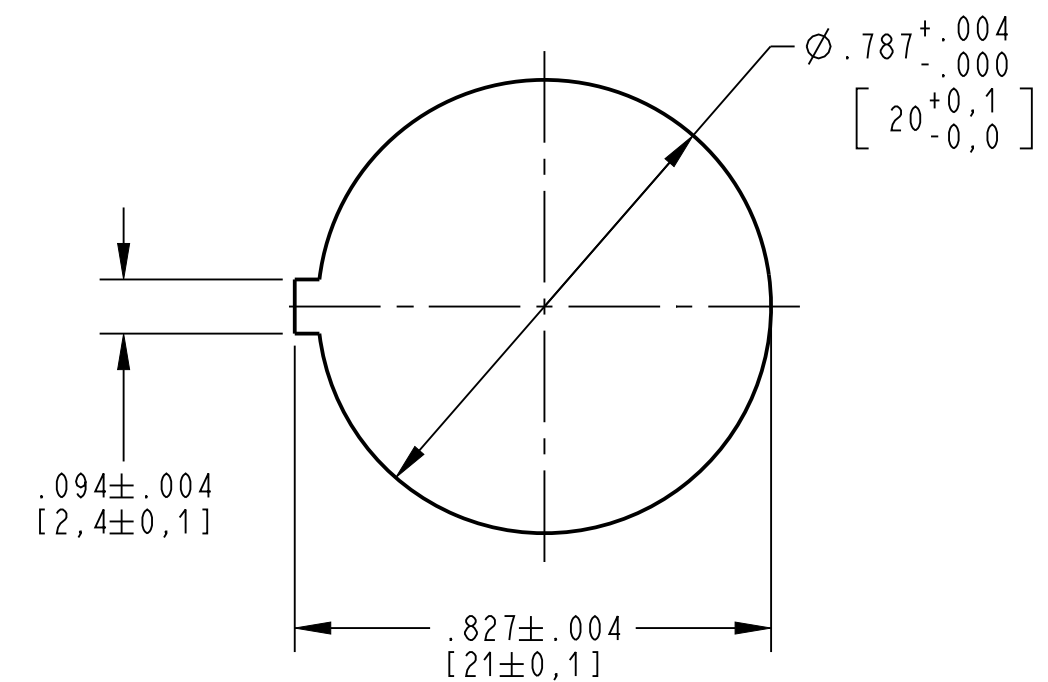
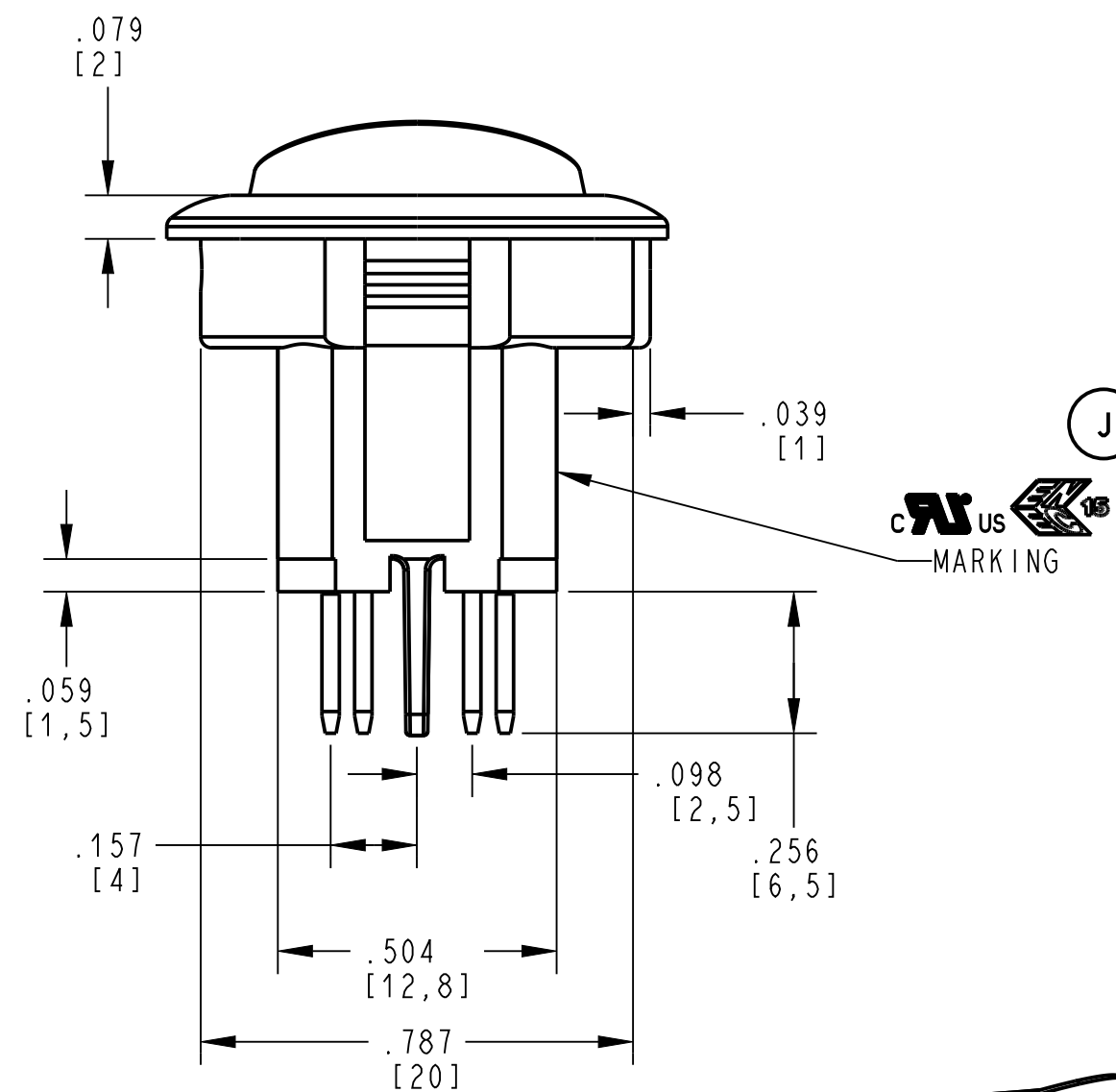
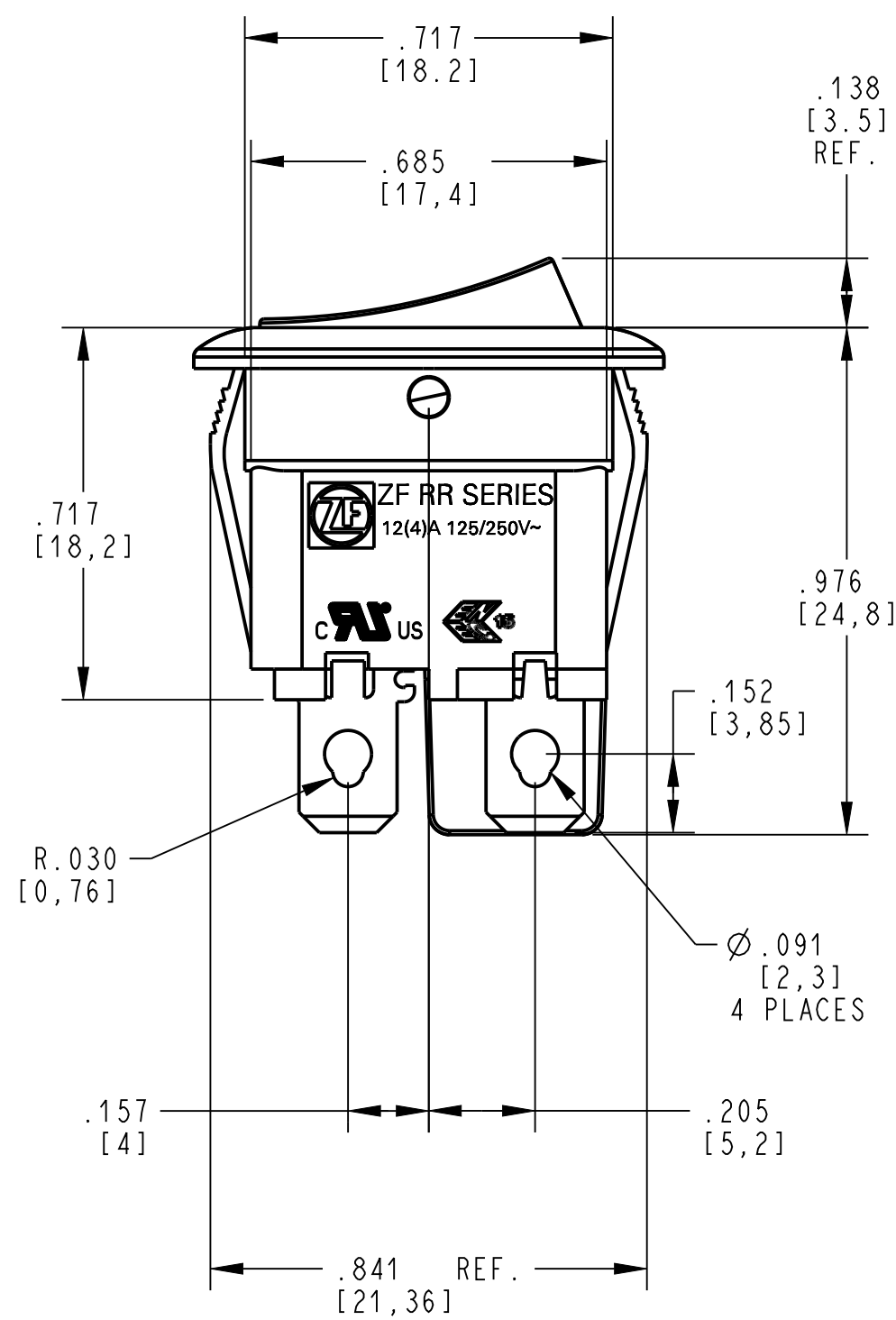
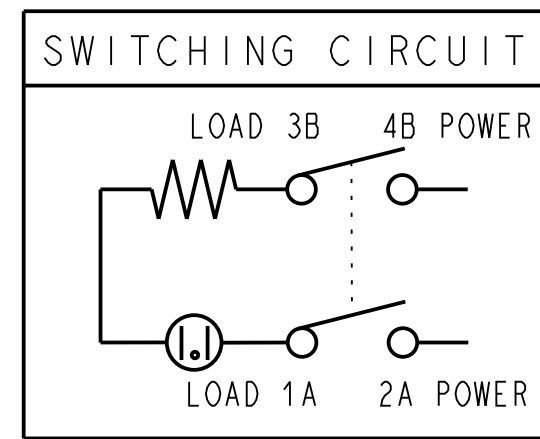
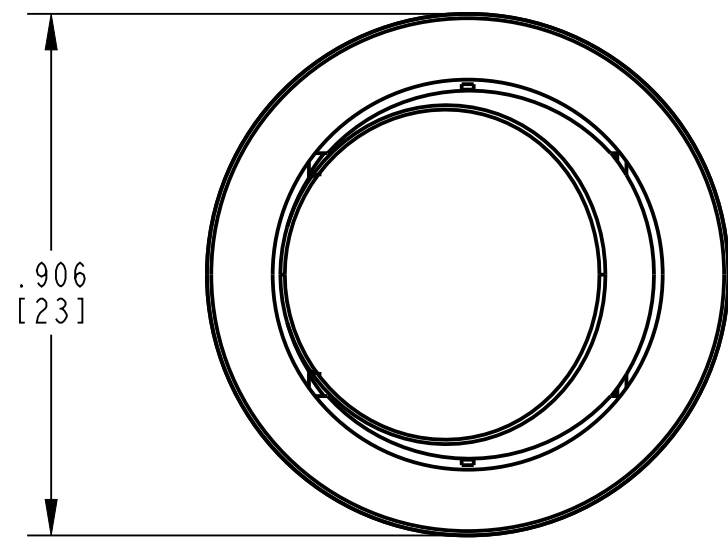
2. INITIAL CONTACT RESISTANCE: 20m Ω (MAX.)

3. INSULATION RESISTANCE: 100M Ω MIN. AT 500VDC

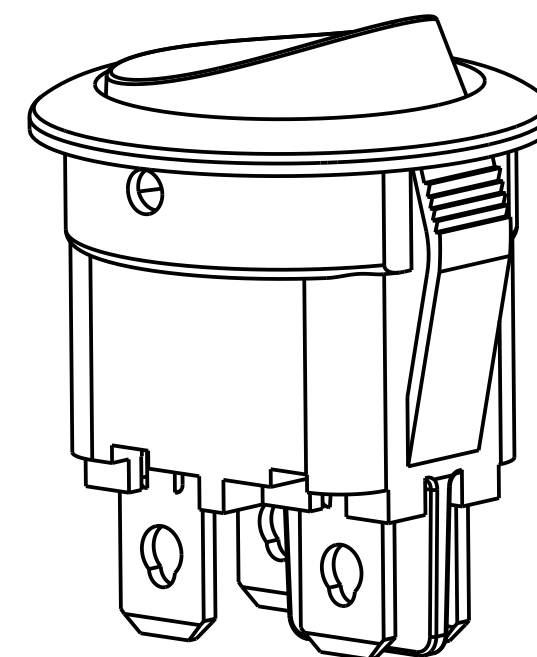
4. DIELECTRIC STRENGTH: 1500VAC FOR 1 MINUTE

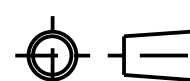
5. TERMINALS (3): .185+.004/- .002 [4,7+0,1/-0,05]  
 X .031±.001 [0.8±0,03].

6. ILLUMINATED: 100~125VAC.



PANEL CUTOUT DIMENSION  
 RECOMMENDED PANEL THICKNESS:  
 .039 ~ .079  
 [1.0 ~ 2.0]



DWN: TLM  
 APVD: SG  
 DATE: 03-Jul-03  
 THIRD ANGLE PROJECTION  


CONFIDENTIAL AND PROPRIETARY:  
 ALL INFORMATION OR INVENTIONS CONTAINED IN THIS DOCUMENT OR DERIVED FROM THE INFORMATION THEREIN IS OWNED BY ZF ELECTRONIC SYSTEMS, AND IS CONFIDENTIAL AND PROPRIETARY. REVIEW OR POSSESSION OF THIS DOCUMENT INDICATES AGREEMENT THAT SUCH INFORMATION AND INVENTIONS WILL NOT BE DISCLOSED, REPRODUCED OR OTHERWISE USED IN ANY WAY WITHOUT EXPRESS WRITTEN PERMISSION FROM AN AUTHORIZED REPRESENTATIVE OF ZF ELECTRONIC SYSTEMS.

**ZF** ZF Electronic Systems  
 PLEASANT PRAIRIE, WISCONSIN U.S.A.

NAME / DESCRIPTION  
 SPEC. DRAWING

J	Z000689143	5-9-2023	TCH	ELL
REV	ECO NO.	DATE	PREP	APVD

PROJECT/ CSR	DWG UNITS	X.XX	X.XXX	ANGLES
N/A	INCHES	± 0.02	± 0.012	± 5.0 °

C	ITEM NO.	RR32H3BBRLN
SCALE:	3:1	SH 1 OF 1

ORIGINAL ON PROJE