

NOTES (UNLESS OTHERWISE SPECIFIED):

RATING TO BE MARKED ON ROCKER:

US 10A 125VAC
US 8A 250VAC
 1/4HP 125/250VAC

G **US** 10(4)A 250V~T125/55 10E3

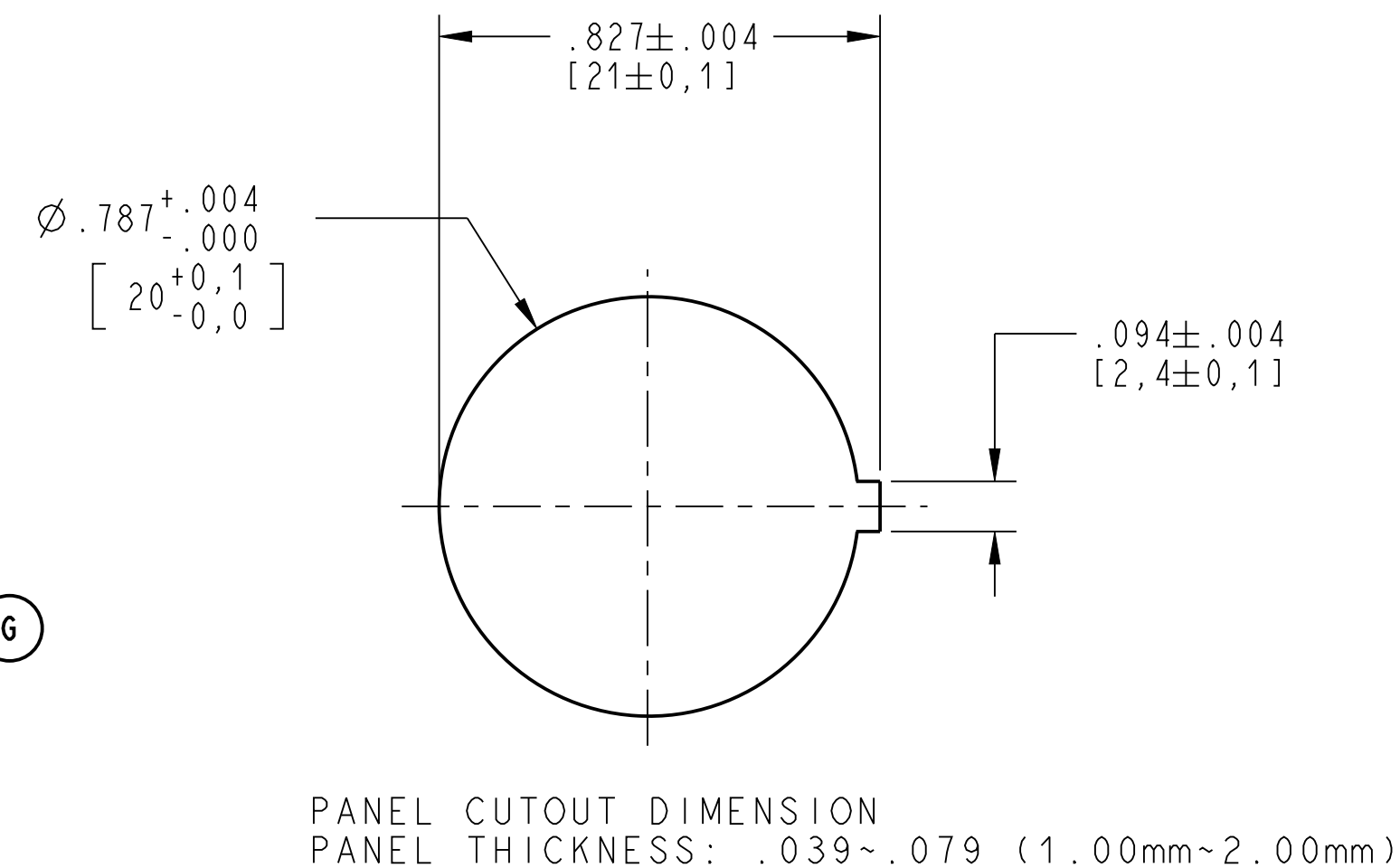
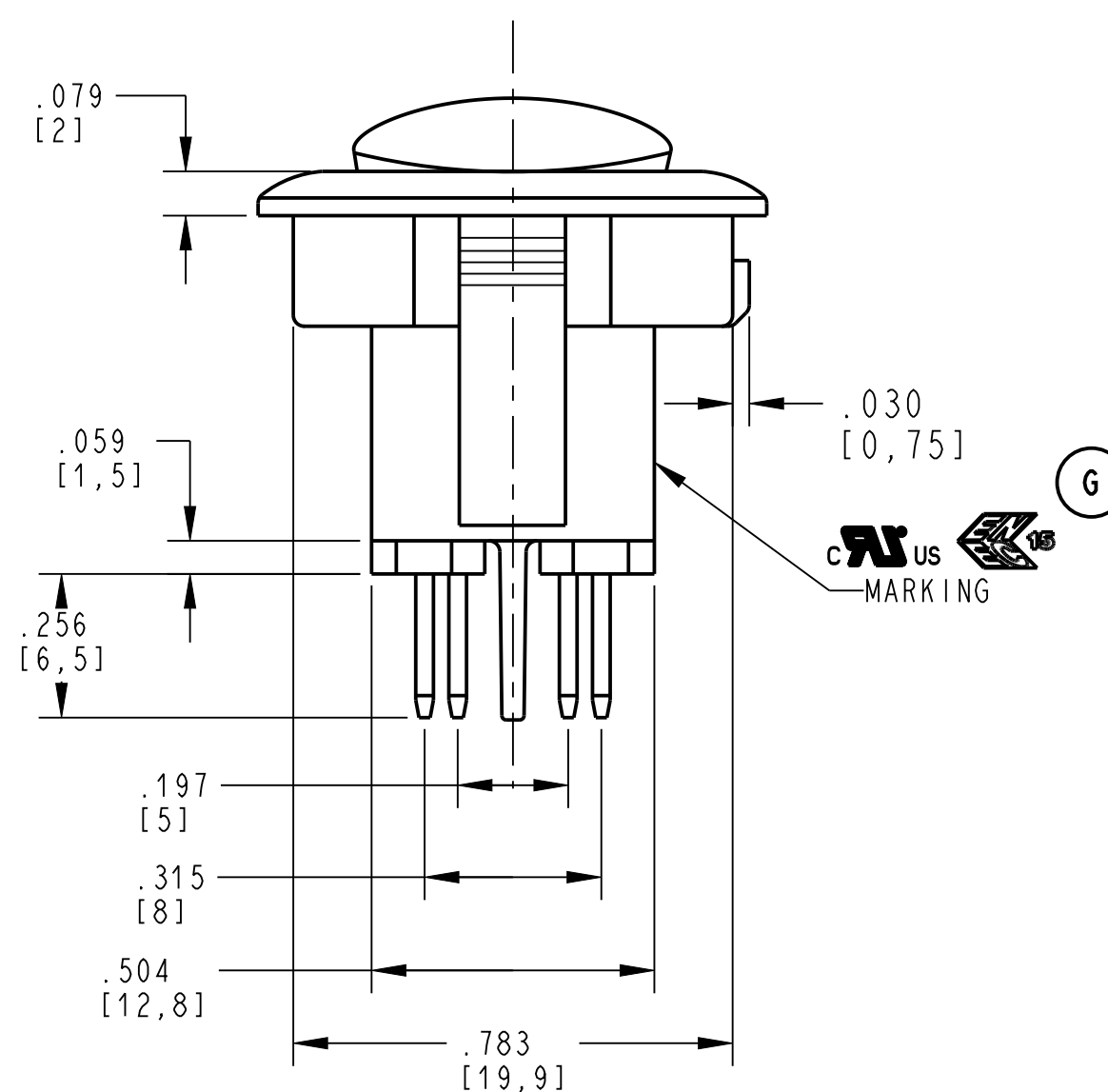
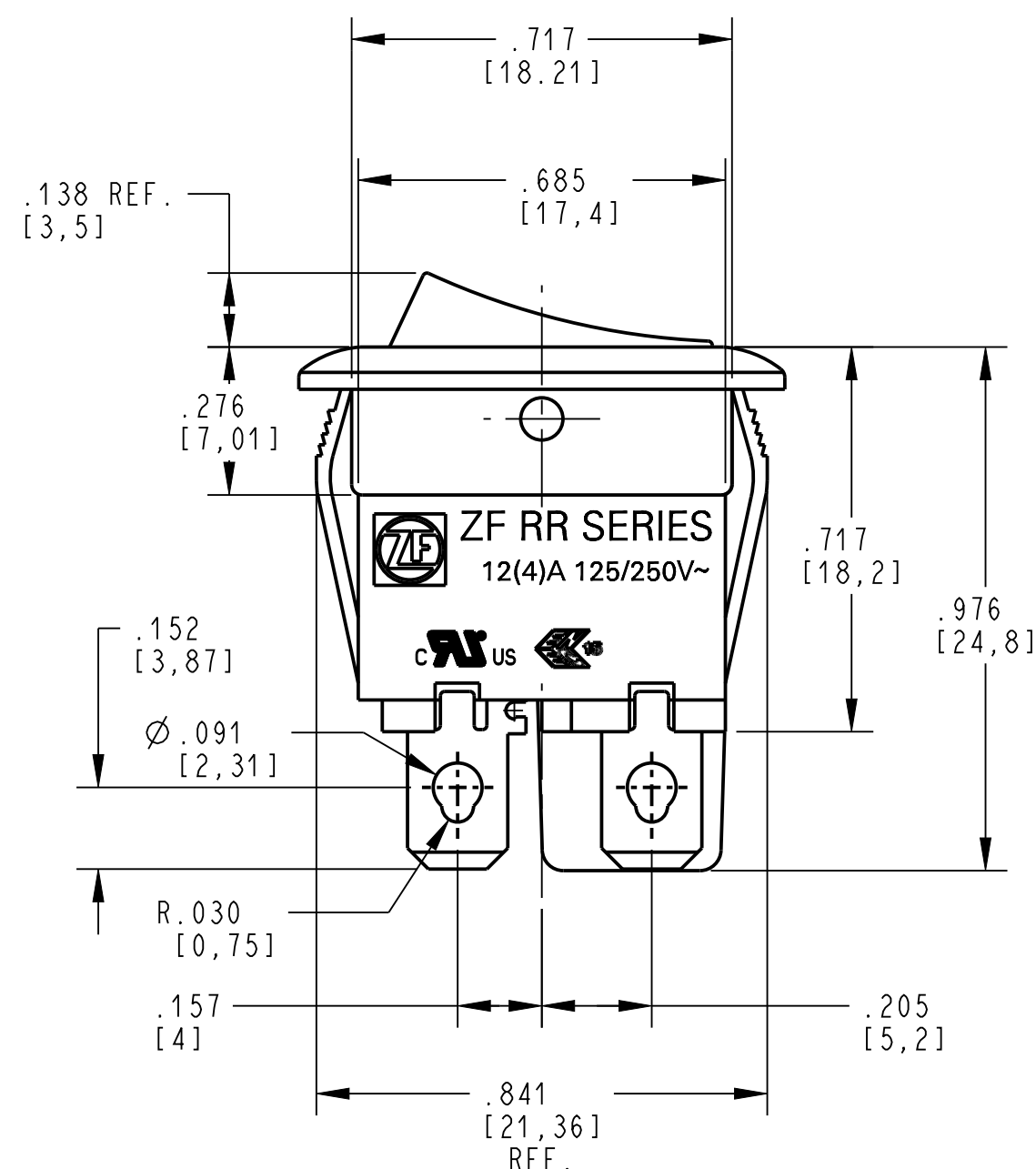
US **US** 12(4)A 125/250V~

INITIAL CONTACT RESISTANCE: 20m Ω (MAX.)

INSULATION RESISTANCE: 100M Ω MIN. AT 500VDC

DIELECTRIC STRENGTH: 1000VAC FOR 1 MINUTE

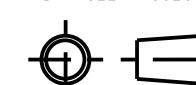
TERMINALS (4): .187 (4.7) X .031(0.8).



PANEL CUTOUT DIMENSION
 PANEL THICKNESS: .039~.079 (1.00mm~2.00mm)

DWN: TLM
 APVD: SB
 DATE: 03-JUL-11

THIRD ANGLE PROJECTION



CONFIDENTIAL AND PROPRIETARY:
 ALL INFORMATION OR INVENTIONS CONTAINED IN THIS DOCUMENT OR DERIVED FROM THE INFORMATION THEREIN IS OWNED BY ZF ELECTRONIC SYSTEMS, AND IS CONFIDENTIAL AND PROPRIETARY. REVIEW OR POSSESSION OF THIS DOCUMENT INDICATES AGREEMENT THAT SUCH INFORMATION AND INVENTIONS WILL NOT BE DISCLOSED, REPRODUCED OR OTHERWISE USED IN ANY WAY WITHOUT EXPRESS WRITTEN PERMISSION FROM AN AUTHORIZED REPRESENTATIVE OF ZF ELECTRONIC SYSTEMS.



ZF Electronic Systems

PLEASANT PRAIRIE, WISCONSIN U.S.A.

NAME / DESCRIPTION

SPEC. DRAWING

G	Z000689143	5-9-2023	TCH	ELL
REV	ECO NO.	DATE	PREP	APVD

PROJECT/ CSR	DWG UNITS	X.XX	X.XXX	ANGLES
4000000138	INCH	± 0.02	± 0.012	± 5 °

C	ITEM NO.	RR32H3FBBNN
SCALE:	3:1	SH 1 OF 1

ORIGINAL ON PRO/E