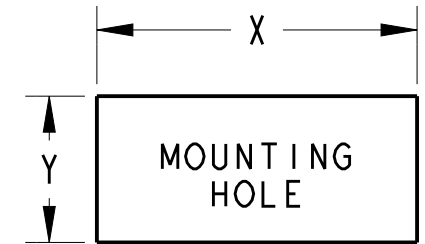
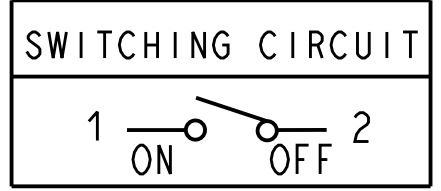
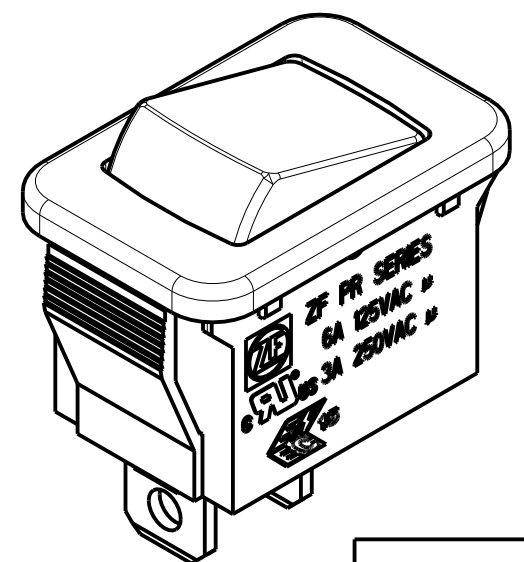
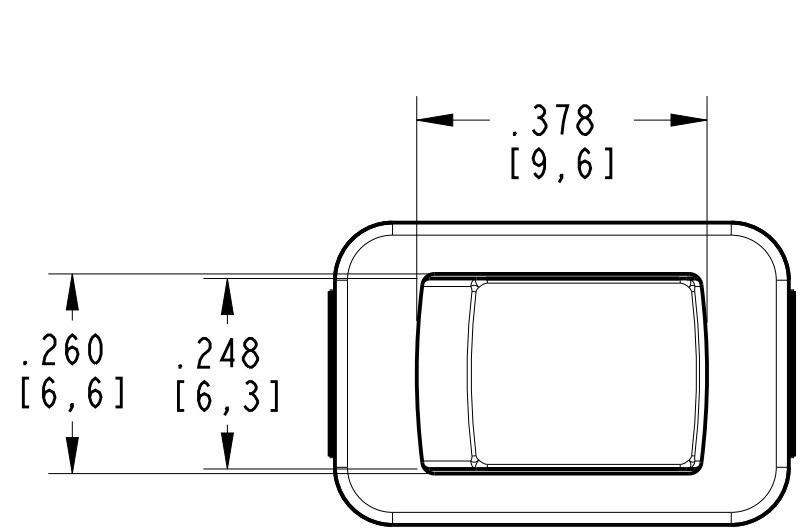


# RECOMMENDED PANEL CUTOUT DIMENSIONS

DIM. Z	DIM. X	DIM. Y
.030 TO .049 (0.75 TO 1.25)	.535 <sup>+0.00</sup> <sub>-.004</sub> (13.6 <sup>+0.00</sup> <sub>-0.10</sub> )	.362±.004 (9.2±0.10)
.049 TO .079 (1.25 TO 2.00)	.539 <sup>+0.00</sup> <sub>-.004</sub> (13.7 <sup>+0.00</sup> <sub>-0.10</sub> )	.362±.004 (9.2±0.10)
.079 TO .098 (2.00 TO 2.50)	.543 <sup>+0.00</sup> <sub>-.004</sub> (13.8 <sup>+0.00</sup> <sub>-0.10</sub> )	.362±.004 (9.2±0.10)



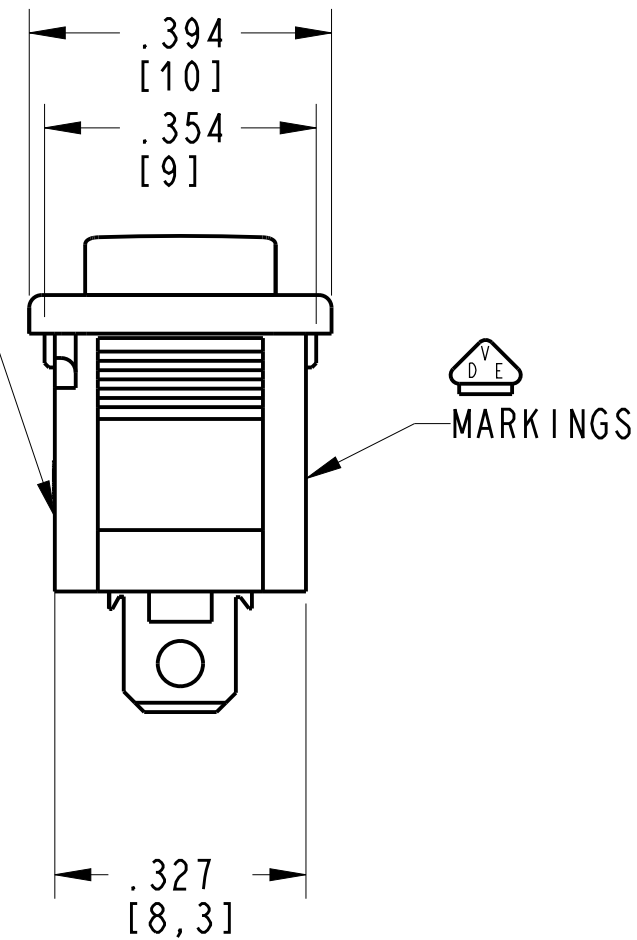
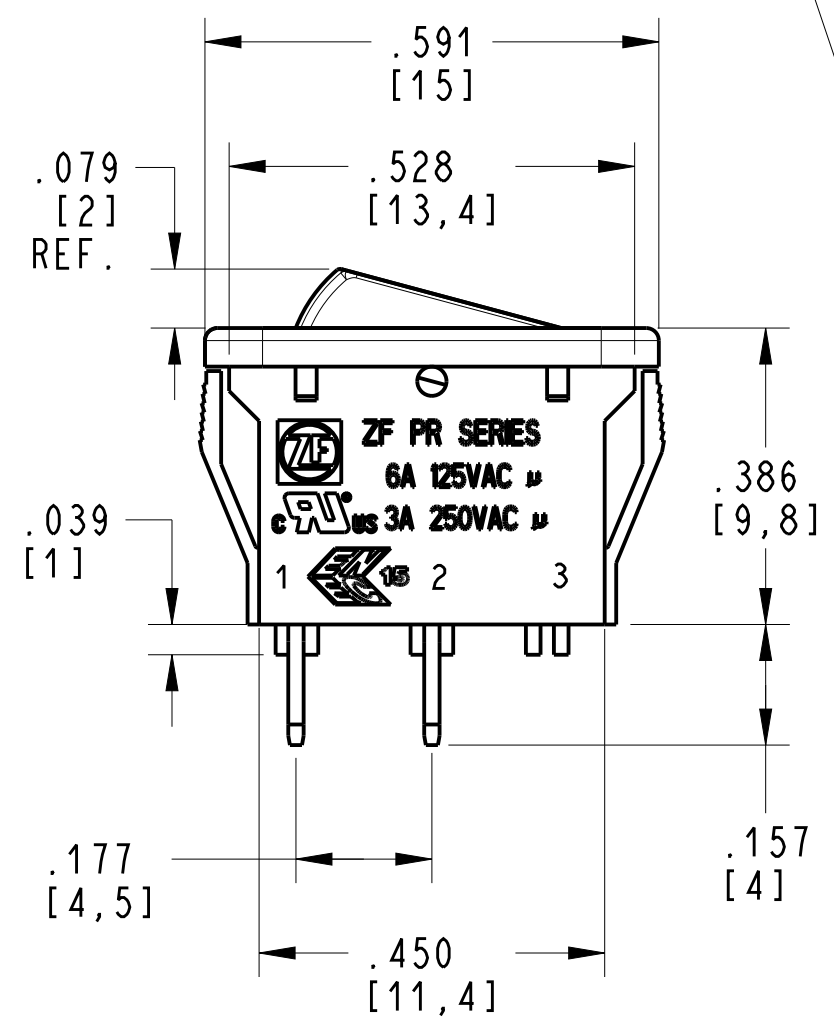
Z = PANEL THICKNESS



## NOTES (UNLESS OTHERWISE SPECIFIED):

1. DIELECTRIC STRENGTH: 1000 VAC FOR 1 MINUTE.
2. INSULATION RESISTANCE: 100 MΩ MIN AT 500VDC
3. INITIAL CONTACT RESISTANCE: 20 μΩ MAX.
4. **UL** us **EN** 15 ELECTRICAL RATING:  
6A 125VAC μ, 3A 250VAC μ  
 3A 250V~μT100/55 10E3
5. TERMINAL TYPE SOLDER TAG  
.146 (3.7±.1mm) WIDE X .020 (0.5mm) THICK  
HOLE DIAMETER .059 (1.5mm)
6. HOUSING AND ACTUATOR ARE COLOR BLACK.
7. RECOGNIZED TO U.S. AND CANADIAN REQUIREMENTS UNDER THE COMPONENT RECOGNITION PROGRAM OF UNDERWRITERS LABORATORIES, INC.
8. DIMENSION ARE IN DUAL INCHES [ MM ]

**UL** us **EN** 15  
MARKINGS



**UL** us **EN** 15  
MARKINGS

DWN: C. MORALES
APVD: E. LESLIE
DATE: 20-Jan-11
THIRD ANGLE PROJECTION
PROJECT/ CSR 4000000138

CONFIDENTIAL AND PROPRIETARY:  
ALL INFORMATION OR INVENTIONS CONTAINED IN THIS DOCUMENT OR DERIVED FROM THE INFORMATION THERE IN IS OWNED BY ZF ELECTRONIC SYSTEMS, AND IS CONFIDENTIAL AND PROPRIETARY. REVIEW OR POSSESSION OF THIS DOCUMENT INDICATES AGREEMENT THAT SUCH INFORMATION AND INVENTIONS WILL NOT BE DISCLOSED, REPRODUCED OR OTHERWISE USED IN ANY WAY WITHOUT EXPRESS WRITTEN PERMISSION FROM AN AUTHORIZED REPRESENTATIVE OF ZF ELECTRONIC SYSTEMS.

TOLERANCE UNLESS SPECIFIED

DWG UNITS	X.XX	X.XXX	ANGLES
INCH	± 0.02	± 0.012	± 5.0 °

ZF Electronic Systems

11200 88th AVE. PLEASANT PRAIRIE, WI 53158

NAME / DESCRIPTION

PRK SERIES

ITEM NO. PRK22J5BBBNN

SCALE: 4.000 SH 1 OF 1

F	Z000389790	18-Dec-16	GP	ELL
REV	ECO NO.	DATE	PREP	APVD

ORIGINAL ON PRO/E