

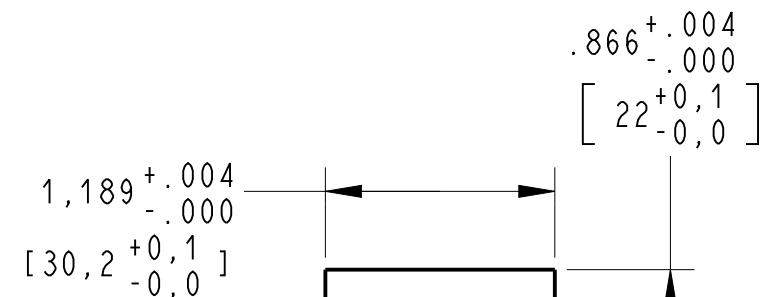
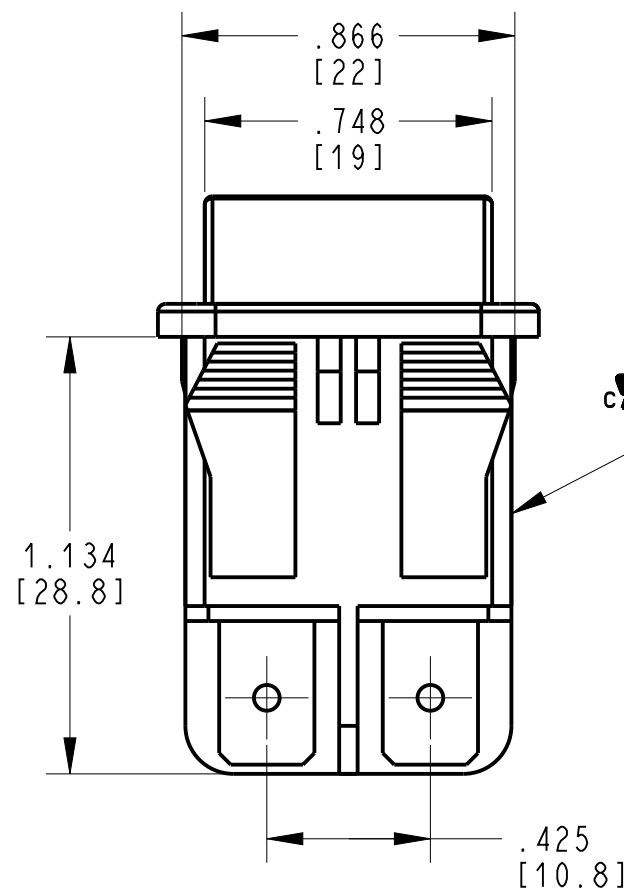
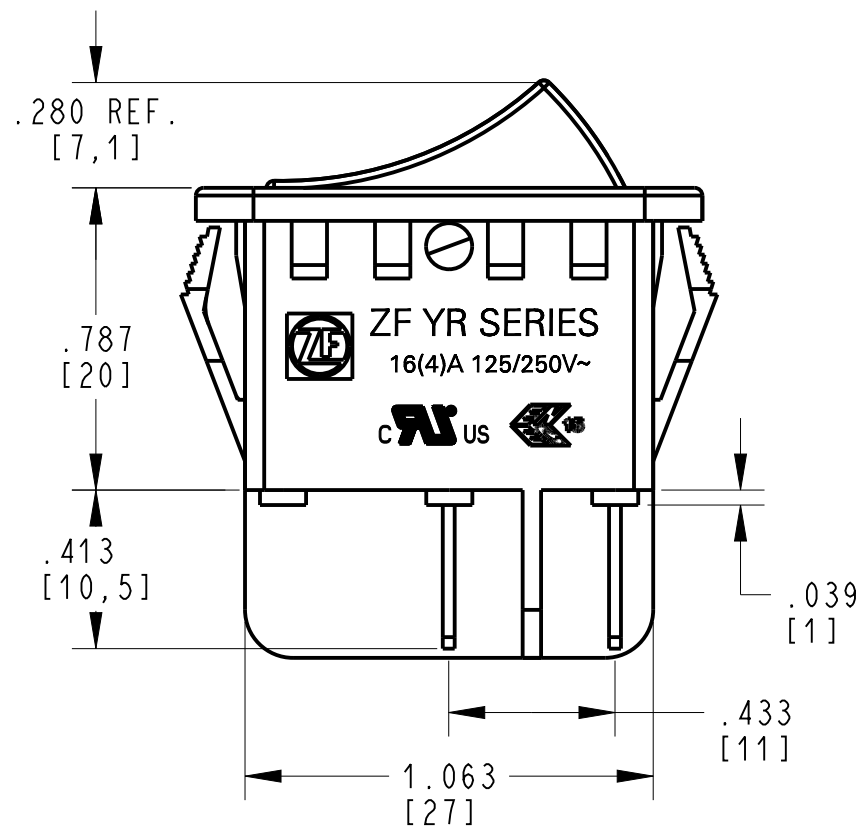
NOTES: (UNLESS OTHERWISE SPECIFIED)

1. RATING TO BE MARKED ON ROCKER:
 16A 125/250VAC
 20A 125VAC
 3/4HP 125/250VAC

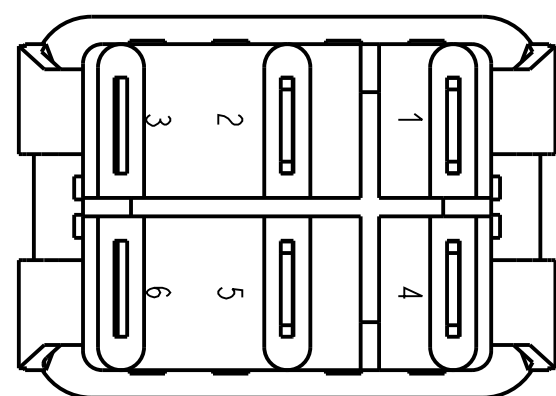
- 16(4)A 250V~T125/55
 10(2)A 250V~T125/55 50E3
 16(8)A 250V~T125/55

- 16(4)A 125/250V~

2. DIELECTRIC WITHSTAND VOLTAGE: 1000VAC 1 MINUTE
 3. INSULATION RESISTANCE: 100M Ω MIN. AT 500 VDC.
 4. INITIAL CONTACT RESISTANCE: 20mΩ (MAX.)
 5. TERMINALS: .248+.004/-0.002 [6,3+0,1/-0,05] WIDE X .031±.001 [0,8±0,03] THICK.
 HOLE Ø .067±.004 [1,7±0,1]; 4 PLACES.

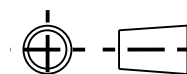


PANEL THICKNESS: .029~.049 [0,75~1,25]



DWN: JPD
 APVD: ELL
 DATE: 18-Apr-18

THIRD ANGLE PROJECTION



PROJECT/ CSR
 N/A

CONFIDENTIAL AND PROPRIETARY:
 ALL INFORMATION OR INVENTIONS CONTAINED IN THIS DOCUMENT OR DERIVED FROM THE INFORMATION THEREIN IS OWNED BY ZF ELECTRONIC SYSTEMS, AND IS CONFIDENTIAL AND PROPRIETARY. REVIEW OR POSSESSION OF THIS DOCUMENT INDICATES AGREEMENT THAT SUCH INFORMATION AND INVENTIONS WILL NOT BE DISCLOSED, REPRODUCED OR OTHERWISE USED IN ANY WAY WITHOUT EXPRESS WRITTEN PERMISSION FROM AN AUTHORIZED REPRESENTATIVE OF ZF ELECTRONIC SYSTEMS.

TOLERANCE UNLESS SPECIFIED			
DWG UNITS	X.XX	X.XXX	ANGLES
INCHES	± 0.02	± 0.012	± 5.0 °



ZF Electronic Systems

PLEASANT PRAIRIE, WISCONSIN U.S.A.

NAME / DESCRIPTION

SPECIFICATION DRAWING

B ITEM NO. YRM32F2FBBNN

SCALE: 2:1 SH 1 OF 1

REV	ECO NO.	DATE	PREP	APVD
A	Z000453455	18-Apr-18	JPD	ELL

ORIGINAL ON PRO/E