

Sub-Subminiature Switch



DK series

Features

- Sealed switch up to protection IP65, IP67 on request, smallest dimension
- Temperature range -40 °C to +85 °C/105 °C
- Nominal currents 5 mA to 2 A at 12 V DC
- Actuation vertically or with auxiliary actuator
- High contact stability thanks to AuAg crosspoint contacts
- Mechanical operating life min. 500,000 operations
- Many connection possibilities, also with leads

Standard parts

For specific part numbers, please contact the factory: switches-sensors@zf.com

Order Code Matrix

DK	1		G		- RN		A0	
switch-type	electr. rating (ohmic load)		contact configuration		terminals and location posts		auxiliary actuator	
DK	1 =	0,010 / 2 A 12 VDC	G	single pole double throw	RN	solder terminals, straight 2,5 x 0,5 without posts	A0 =	without auxiliary actuator
			E	single pole single throw normally open	RR	without posts solder terminals, straight 2,5 x 0,5	D1 =	auxiliary actuator straight, flexible
			F	single pole single throw normally closed	RL	solder terminals, straight 2,5 x 0,5 left hand posts	E1 =	auxiliary actuator sim. roller, flexible
					SN	PCB terminals, straight 0,6 x 0,5 without posts		
					SR	PCB terminals, straight 0,6 x 0,5 right hand posts		
					SL	PCB terminals, straight 0,6 x 0,5 left hand posts		
					TR	PCB terminals, right 0,6 x 0,5 right hand posts		
					UL	PCB terminals, left 0,6 x 0,5 left hand posts		
					Z3	leads 500mm; 0.35mm ² ; let out to bottom side without posts		
					Z9	leads 500mm; 0.35mm ² ; let out to bottom side right hand posts		

<https://switches-sensors.zf.com/>



Z6	leads 500mm; 0.35mm ² ; let out to bottom side left hand posts
-----------	---

Electrical rating

Code	Rating	Electrical life
1	0.005 – 2 A 12 V DC	min. 100,000 operations

Environmental and Mechanical Specifications

Operating force	max. 75 cN without auxiliary actuator
Mechanical life	Min. 500,000 operations
Temperature range	-40 °C to +85 °C/105 °C
Protection class	IP65, IP67 on request

Materials

Base	PBT/PES
Cover	PBT, ASA, PET
Actuator	POM +85 °C, LCP +105 °C
Auxiliary actuator	Stainless steel
Sealing gasket	VMQ
Terminals	CuZn silver-plated
Leads	Cu, PVC-sheated
Contacts	AuAg (crosspoint)

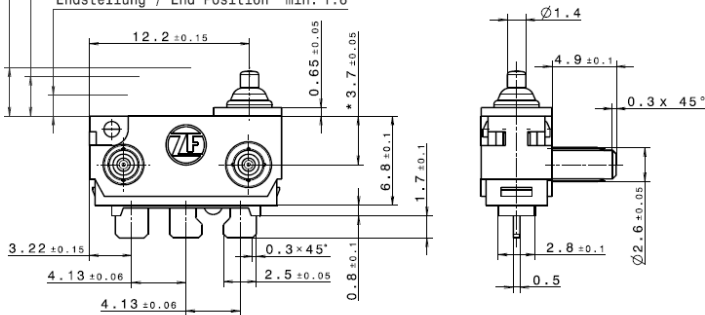
Dimensions in mm

DK short

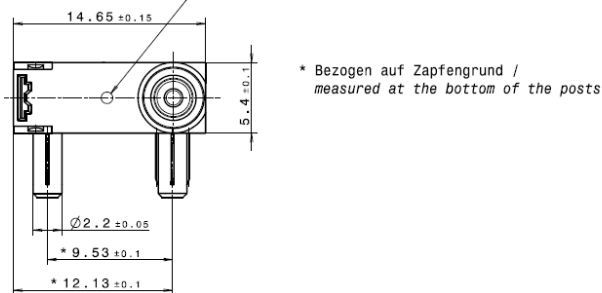
Ruhestellung / Rest Position max. 3.7

Schaltpunkt / Operating Point 3.05 ±0.2

Endstellung / End Position min. 1.6



Anspritzpunkt / Injection Point

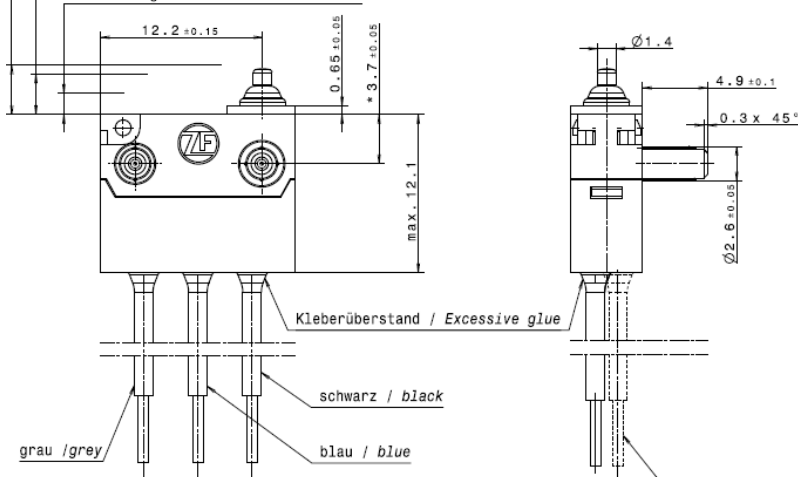


DK long

Ruhestellung / Rest Position max. 3.7

Schaltpunkt / Operating Point 3.05 ±0.2

Endstellung / End Position min. 1.6



Kleberüberstand / Excessive glue

schwarz / black

blau / blue

grau / grey

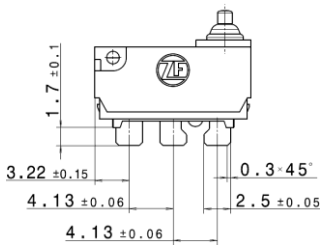
Spiegelbildlich möglich /
reversed right to left

* Bezogen auf Zapfengrund /
measured at the bottom of the posts

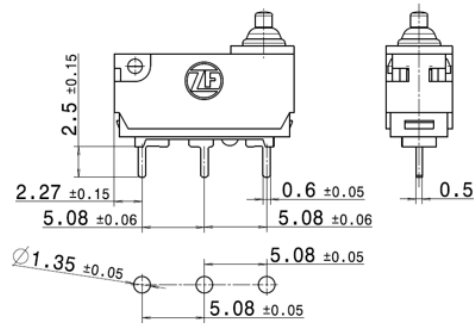
Anspritzpunkt / Injection Point

Terminals

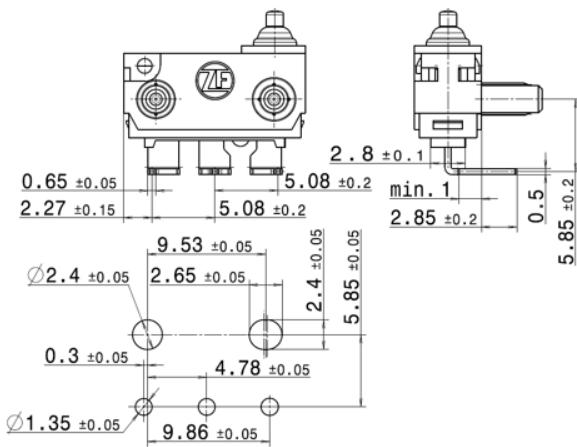
Solder Terminal



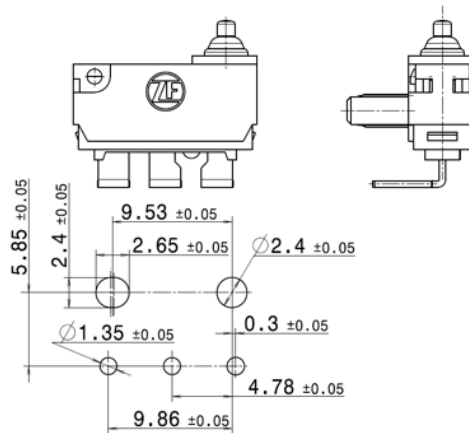
PCB terminal 0.6x0.5



PCB terminal right, 0.6x0.5

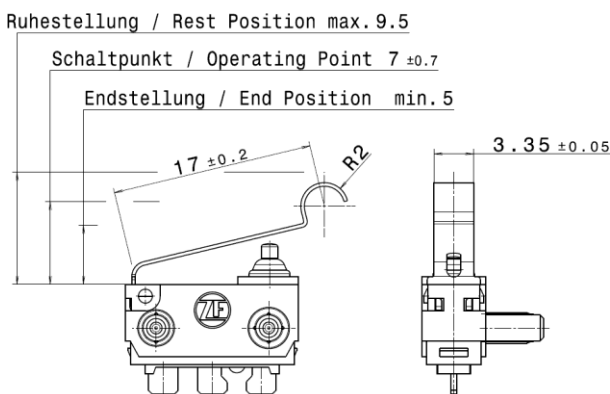


PCB terminal left, 0.6x0.5



Actuators

Auxiliary actuator Vers. E1/ simulated roller, flexible



Auxiliary actuator Vers. D1 / straight , flexible

Ruhestellung / Rest Position max. 5.9

Schaltpunkt / Operating Point 3.7 ±0.5

Endstellung / End Position min. 1.95

Messpunkt / Measuring Point

