

# Sub-subminiature switch



## Sliding Contact Switches

SJ Series

### Features

- Sub-subminiature switch with high contact stability by double redundant contact system
- Easy installation thanks to connector pins and fastening nut
- Smallest dimensions
- Temperature range: -40 °C to +85 °C
- High operating life
- Many connection possibilities, also with leads available on request.
- Agency approved extended life versions available on request

### Standard Parts<sup>1</sup>

<sup>1</sup>The part number configuration matrix below provides details to the part numbers above.

For configurable part numbers that are not listed above, not listed in your region, or for custom part numbers, contact the factory or your distributor:

[switches-sensors@zf.com](mailto:switches-sensors@zf.com)

### Order Code Matrix

SJ	1	E	- AN	A0
Schaltertyp <i>switch-type</i>	Schaltleistung (ohmsche Last) <i>electr. rating (ohmic load)</i>	Kontaktanordnung/ <i>contact configuration</i>	Anschlussart und Fixierzapfen <i>terminals and location posts</i>	Zusatzbetätiger <i>auxiliary actuator</i>
SJ	1 = 0,010/0,1A 12 VDC	E= Schließer/ <i>single pole single throw normally open</i> F= Öffner/ <i>single pole single throw normally closed</i>	AN = Lötanschluss, gerade 2,5 x 0,4 Ohne Zapfen / <i>solder terminals, straight 2,5 x 0,4 without posts</i> AR = Lötanschluss, gerade 2,5 x 0,4 Zapfen rechts / <i>solder terminals, straight 2,5 x 0,4 right hand posts</i> AL = Lötanschluss, gerade 2,5 x 0,4 Zapfen links / <i>solder terminals, straight 2,5 x 0,4 left hand posts</i> BN = LP-Anschluss, gerade 0,6 x 0,4 Ohne Zapfen / <i>PCB terminals, straight 0,6 x 0,4 without posts</i> BR = LP-Anschluss, gerade 0,6 x 0,4 Zapfen rechts / <i>PCB terminals, straight 0,6 x 0,4 right hand posts</i> BL = LP-Anschluss, gerade 0,6 x 0,4 Zapfen links / <i>PCB terminals, straight 0,6 x 0,4 left hand posts</i>	A0= ohne Zusatz- betätiger <i>without auxiliary actuator</i>

## Electrical Specifications – Contact Ratings

Contact	Rating	Electrical life
1	0.010/0.1 A 12 VDC	min. 100,000

## Environmental and Mechanical Specifications

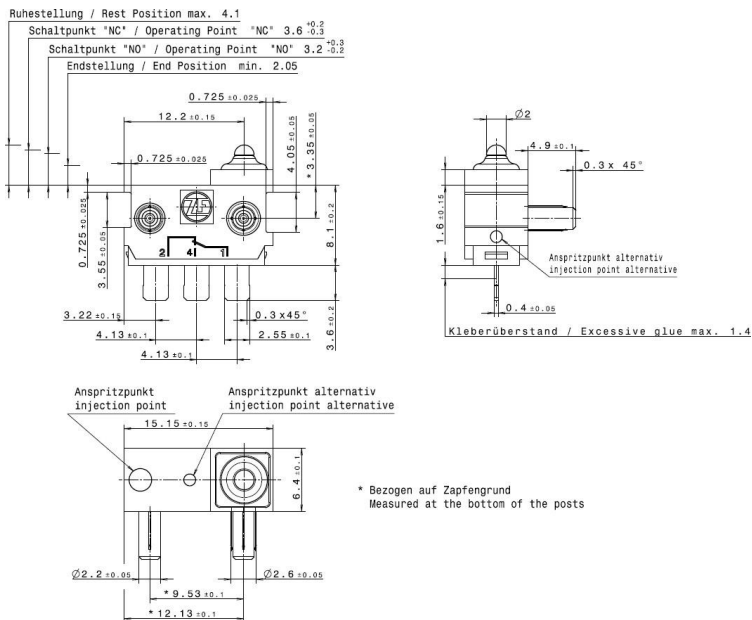
Operating force	200 cN
Mechanical life	min. 200,000 switching cycles
Temperature range	-40 °C to +85 °C
Protection class	IP67

## Material Specifications

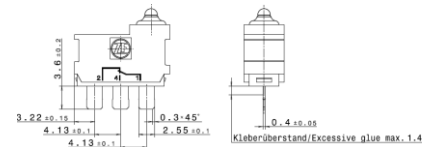
Cover	PBT + ASA + GF20
Actuator	POM
Base	PPS MR50
Terminals	CuSn6 (silver plated)
Sealing gasket	VMQ

## Dimensions in mm

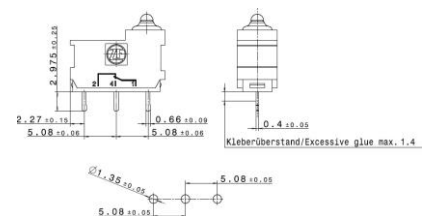
### SJ Short



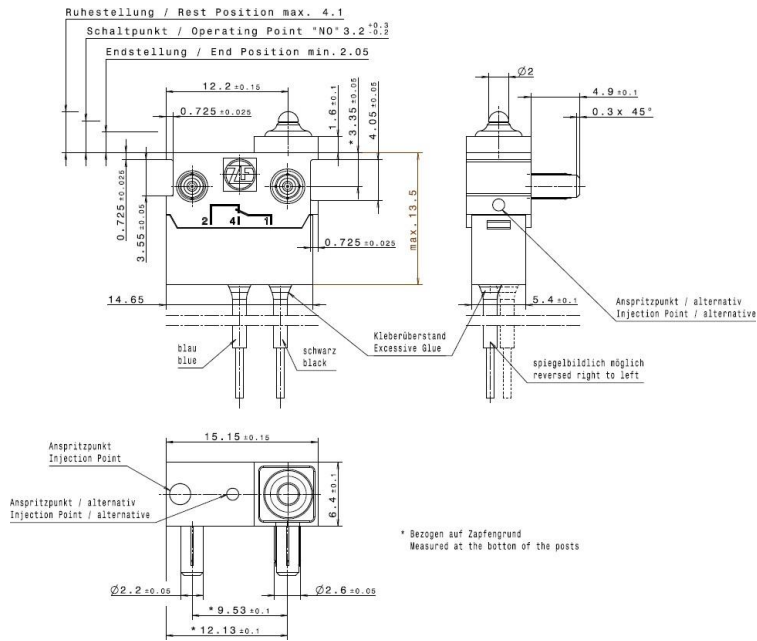
### Solder Terminal



### PCB Terminal Straight



## SJ Long Normally Closed With Wires Below



## SJ Long Normally Open With Wires Below

