

Sub-subminiature switch



Sliding Contact Switches

SK Series

Features

- Sub-subminiature switch with high contact stability by double redundant contact system
- Easy installation thanks to connector pins and fastening nut
- Smallest dimensions
- Temperature range: -40 °C to +85 °C
- High operating life
- Many connection possibilities, also with leads available on request.
- Agency approved extended life versions available on request

Standard Parts¹

¹The part number configuration matrix below provides details to the part numbers above.

For configurable part numbers that are not listed above, not listed in your region, or for custom part numbers, contact the factory or your distributor:

switches-sensors@zf.com

Order Code Matrix

SK	1	E	- RN	A0
Schaltertyp <i>switch-type</i>	Schaltleistung (ohmsche Last) <i>electr. rating (ohmic load)</i>	Kontaktanordnung <i>contact configuration</i>	Anschlussart und Fixierzapfen <i>terminals and location posts</i>	Zusatzbetätiger <i>auxiliary actuator</i>
SK	1 = 0,010 / 0,1A 12 VDC	E= Schließer/ <i>single pole single throw normally open</i> F= Öffner/ <i>single pole single throw normally closed</i>	RN = Lötanschluss, gerade 2,5 x 0,4 Ohne Zapfen/ <i>solder terminals, straight 2,5 x 0,4 without posts</i> RR = Lötanschluss, gerade 2,5 x 0,4 Zapfen rechtz/ <i>solder terminals, straight 2,5 x 0,4 right hand posts</i> RL = Lötanschluss, gerade 2,5 x 0,4 Zapfen linkz/ <i>solder terminals, straight 2,5 x 0,4 left hand posts</i> SN = LP-Anschluss, gerade 0,6 x 0,4 Ohne Zapfen/ <i>PCB terminals, straight 0,6 x 0,4 without posts</i> SR = LP-Anschluss, gerade 0,6 x 0,4 Zapfen rechtz/ <i>PCB terminals, straight 0,6 x 0,4 right hand posts</i> SL = LP-Anschluss, gerade 0,6 x 0,4 Zapfen linkz/ <i>PCB terminals, straight 0,6 x 0,4 left hand posts</i> TR = LP-Anschluss, rechts 0,6 x 0,4 Zapfen rechtz/ <i>PCB terminals, right 0,6 x 0,4 right hand posts</i> UL = LP-Anschluss, links 0,6 x 0,4 Zapfen linkz/ <i>PCB terminals, left 0,6 x 0,4 left hand posts</i> Z3 = Leitung 500mm; 0.35mm ² ; Austritt unten; Ohne Zapfen/ <i>leads 500mm; 0.35mm²; to underside without posts</i> Z9 = Leitung 500mm; 0.35mm ² ; Austritt unten; Zapfen rechtz/ <i>leads 500mm; 0.35mm²; to underside with right hand posts</i> Z6 = Leitung 500mm; 0.35mm ² ; Austritt unten; Zapfen linkz/ <i>leads 500mm; 0.35mm²; to underside with left hand posts</i>	A0 = Ohne Zusatzbetätiger/ <i>without auxiliary actuator</i> D1 = Zusatzbetätiger gerade, federnd/ <i>auxiliary actuator straight, flexible</i> E1 = Zusatzbetätiger sim. Rolle, federnd/ <i>auxiliary actuator sim. roller, flexible</i>

<https://switches-sensors.zf.com/>



Electrical Specifications – Contact Ratings

Contact	Rating	Electrical life
1	0.010 / 0.1 A 12 VDC	min. 100,000 operations

Environmental and Mechanical Specifications

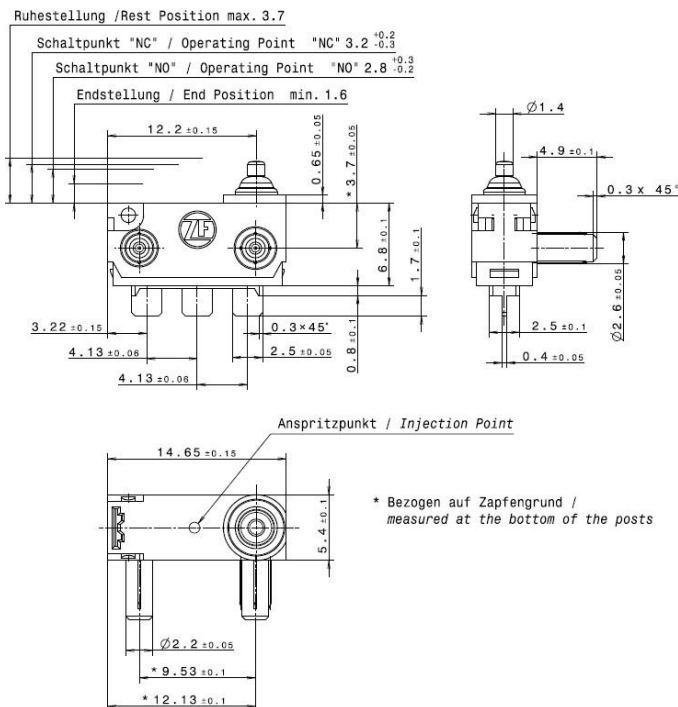
Operating force	200 cN
Mechanical life	min. 200,000 operations
Temperature range	-40 °C to +85 °C
Protection class	IP67

Material Specifications

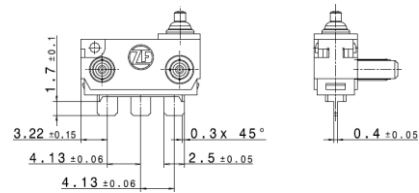
Cover	PBT+ASA+PET+GF20
Actuator	POM
Base	PPS MR50
Contacts	CuSn6 (silver plated)
Auxiliary Actuator	Spring steel
Sealing gasket	VMQ

Dimensions in mm

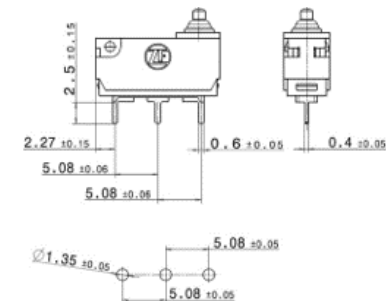
SK Short



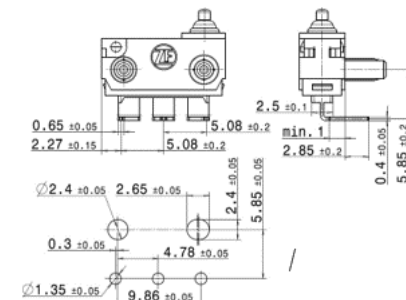
Solder Terminal Short



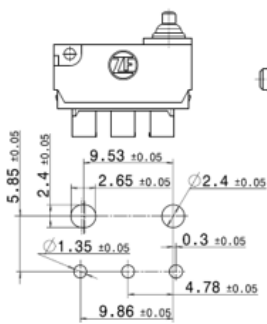
PCB Terminal Short



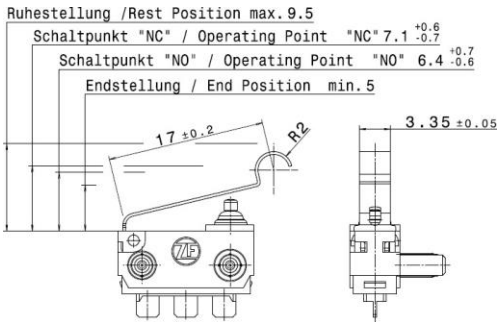
PCB Terminal Right, 0.6x0.4



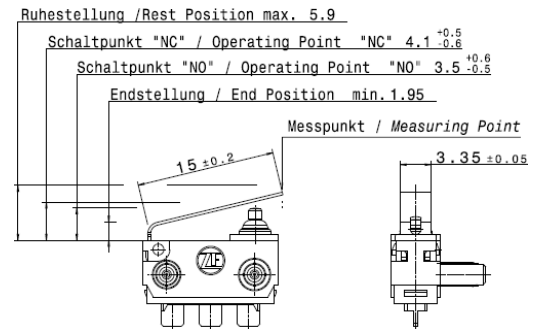
PCB Terminal Left 0.6x0.4



Auxiliary Actuator Versions Simulated Roller



Straight, Flexible



SK long Normally Open with wires below

