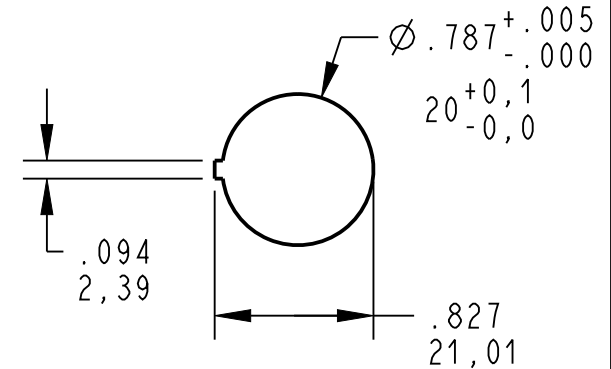
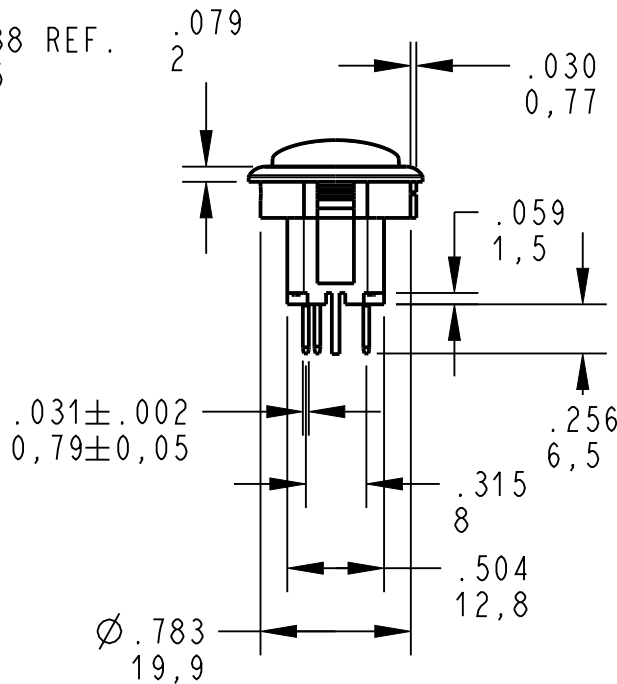
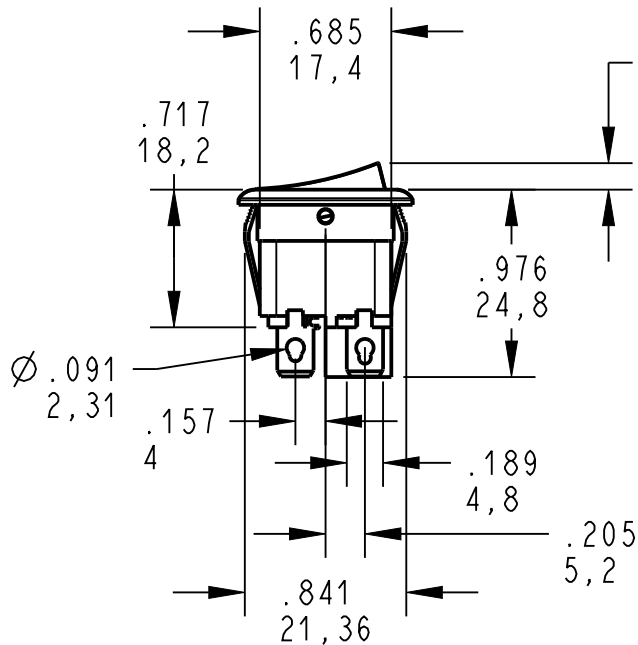


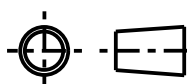
ROCKER SWITCH MODEL RR SERIES
 RATING: 12A 125VAC, 10A 250VAC (CSA)
 10A 125VAC, 8A 250VAC (UL)
 10(4)A 250V-T125/55 (VDE)
 DIELECTRIC WITHSTAND VOLTAGE: 1000VAC 1 MINUTE
 INSULATION RESISTANCE: 100MΩ (MIN.)
 CONTACT RESISTANCE: 20mΩ (MIN.)



PANEL THICKNESS: 1.0-2.0mm

DWN: R. YANEZ
 APVD: T. STORM
 DATE: 19-JAN-10

THIRD ANGLE PROJECTION



CONFIDENTIAL AND PROPRIETARY:
 ALL INFORMATION OR INVENTIONS CONTAINED IN THIS DOCUMENT OR DERIVED FROM THE INFORMATION THERE IN IS OWNED BY ZF ELECTRONIC SYSTEMS, AND IS CONFIDENTIAL AND PROPRIETARY. REVIEW OR POSSESSION OF THIS DOCUMENT INDICATES AGREEMENT THAT SUCH INFORMATION AND INVENTIONS WILL NOT BE DISCLOSED, REPRODUCED OR OTHERWISE USED IN ANY WAY WITHOUT EXPRESS WRITTEN PERMISSION FROM AN AUTHORIZED REPRESENTATIVE OF ZF ELECTRONIC SYSTEMS.



ZF Electronic Systems

PLEASANT PRAIRIE, WISCONSIN U.S.A.

NAME / DESCRIPTION

RR SPEC DRAWING

		19-Jan-10	RY	TS
REV	ECO NO.	DATE	PREP	APVD

PROJECT/ CSR
 100009

TOLERANCE UNLESS SPECIFIED			
DWG UNITS	X.XX	X.XXX	ANGLES
INCHES	± 0.02	± 0.010	± 1.0 °

A	ITEM NO. RRA22H3BBRLN
SCALE:	1:1 SH 1 OF 1

ORIGINAL ON PRO/E