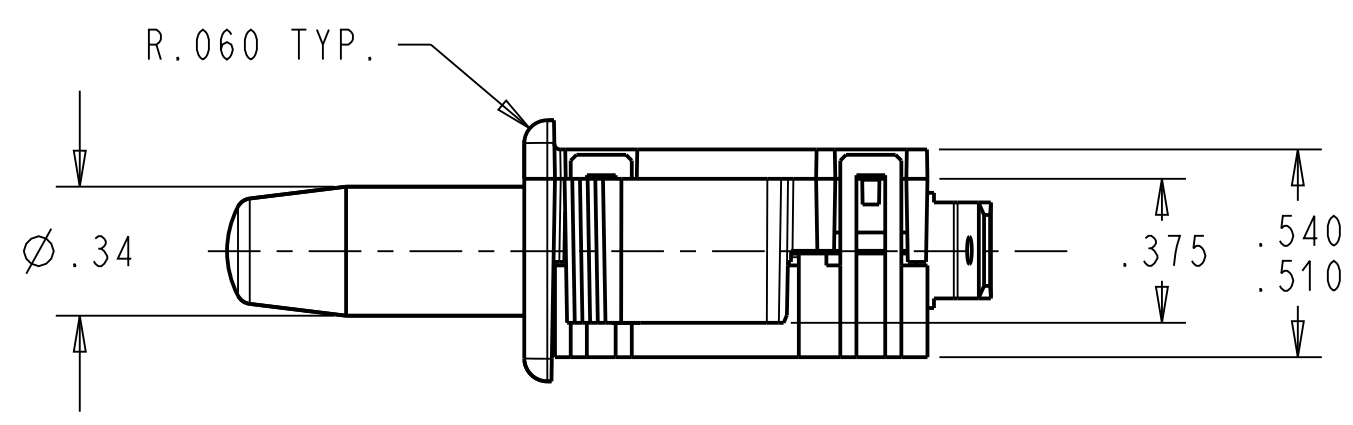


PANEL CUTOUT DETAIL
RECOMMENDED
PANEL THICKNESS
.045-.100

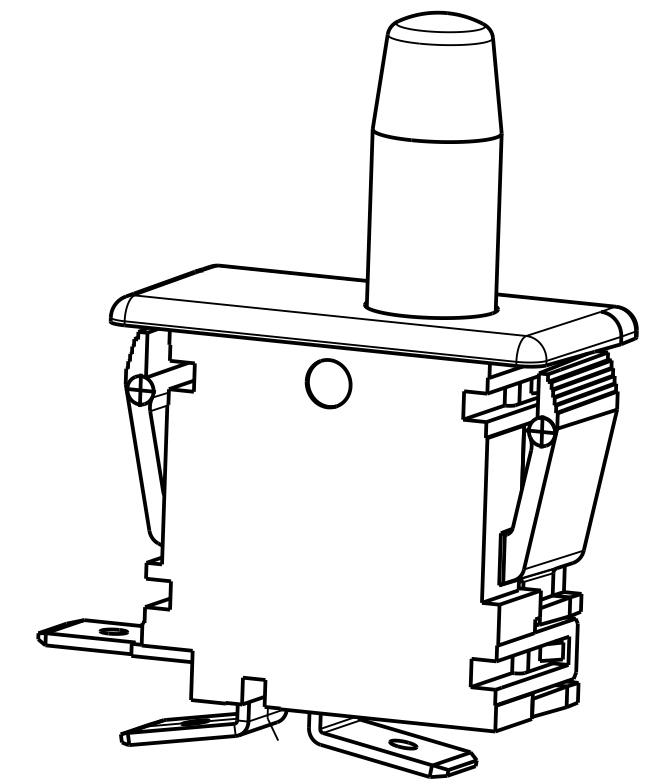
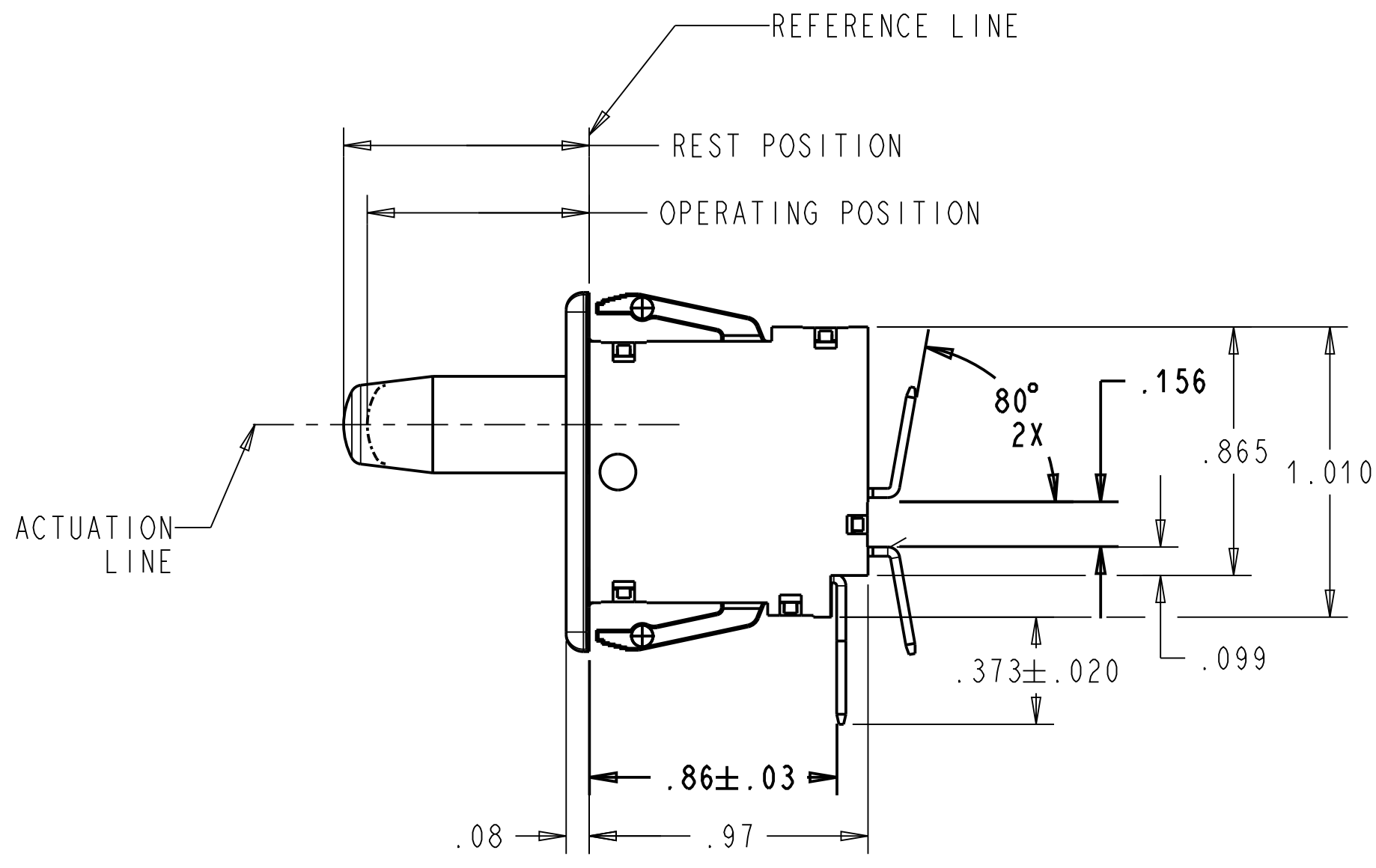
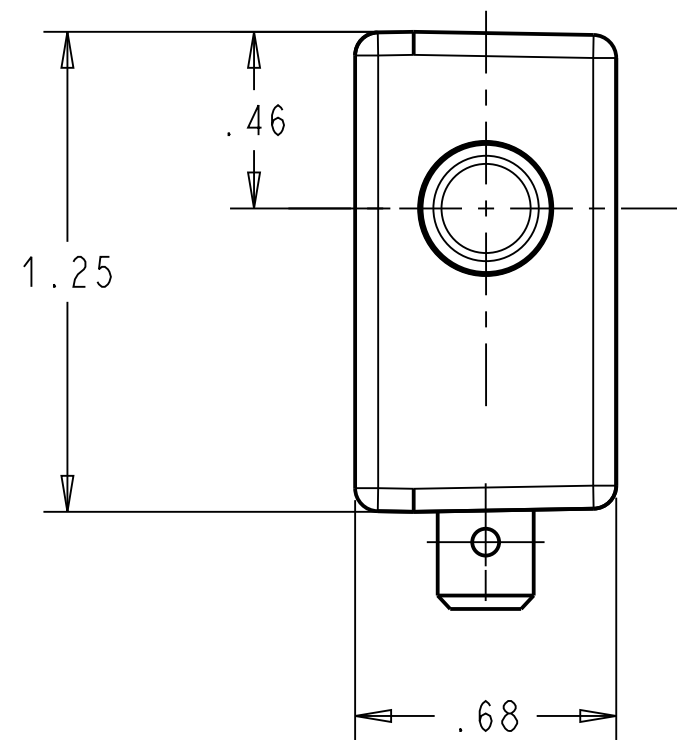


NOTES: (UNLESS OTHERWISE SPECIFIED)

- SWITCH CHARACTERISTICS:

| | |
|------------------------|--------------|
| REST POSITION | .815 TO .875 |
| PRETRAVEL: | .125 MAX. |
| OPERATING POSITION | .720 TO .820 |
| OVER-TRAVEL: | .375 MIN. |
| MOVEMENT DIFFERENTIAL: | .045 MAX. |
| OPERATING FORCE grams: | 708 MAX. |
- BUTTON POSITION AT FULL OVERTRAVEL: .358 MAX.
- ALL CHARACTERISTICS ARE TAKEN AT THE ACTUATION LINE AND MEASURED FROM THE REFERENCE LINE.
- us** ELECTRICAL RATING:

| |
|--------------------|
| 16 A, 125/250 VAC |
| 1/3HP, 125/250 VAC |
- TERMINALS: ARE .250 WIDTH x .032 THICKNESS.
- RECOGNIZED TO U.S. AND CANADIAN REQUIREMENTS UNDER THE COMPONENT RECOGNITION PROGRAM OF UNDERWRITERS LABORATORIES, INC.
- TEMPERATURE RATINGS: -40°C TO +85°C.
- PLUNGER AND HOUSING COLOR: WHITE.



| | | | | | | | | | | | |
|------------------------|------------|--|------|------|--|-----------|------------------------------|---------|--------|--------------|-----------|
| DWN: TLM | | CONFIDENTIAL AND PROPRIETARY: ALL INFORMATION OR INVENTIONS CONTAINED IN THIS DOCUMENT OR DERIVED FROM THE INFORMATION THEREIN IS OWNED BY ZF ELECTRONIC SYSTEMS, AND IS CONFIDENTIAL AND PROPRIETARY. REVIEW OR POSSESSION OF THIS DOCUMENT INDICATES AGREEMENT THAT SUCH INFORMATION AND INVENTIONS WILL NOT BE DISCLOSED, REPRODUCED OR OTHERWISE USED IN ANY WAY WITHOUT EXPRESS WRITTEN PERMISSION FROM AN AUTHORIZED REPRESENTATIVE OF ZF ELECTRONIC SYSTEMS. | | | ZF Electronic Systems PLEASANT PRAIRIE, WISCONSIN U.S.A. NAME / DESCRIPTION | | | | | | |
| APVD: ELL | | | | | | | SPECIFICATION DRAWING | | | | |
| DATE: 06-Oct-09 | | | | | | | | | | | |
| THIRD ANGLE PROJECTION | | | | | | | | | | | |
| | | TOLERANCE UNLESS SPECIFIED | | | C ITEM NO. 0E65-00A0 | | | | | | |
| C | Z000375028 | 10-Aug-16 | JPD | ELL | PROJECT/ CSR | DWG UNITS | X.XX | X.XXX | ANGLES | SCALE: 2.000 | SH 1 OF 1 |
| REV | ECO NO. | DATE | PREP | APVD | 4000000138 | INCH | ± 0.02 | ± 0.015 | ± 5.0° | | |

ORIGINAL ON PROJE