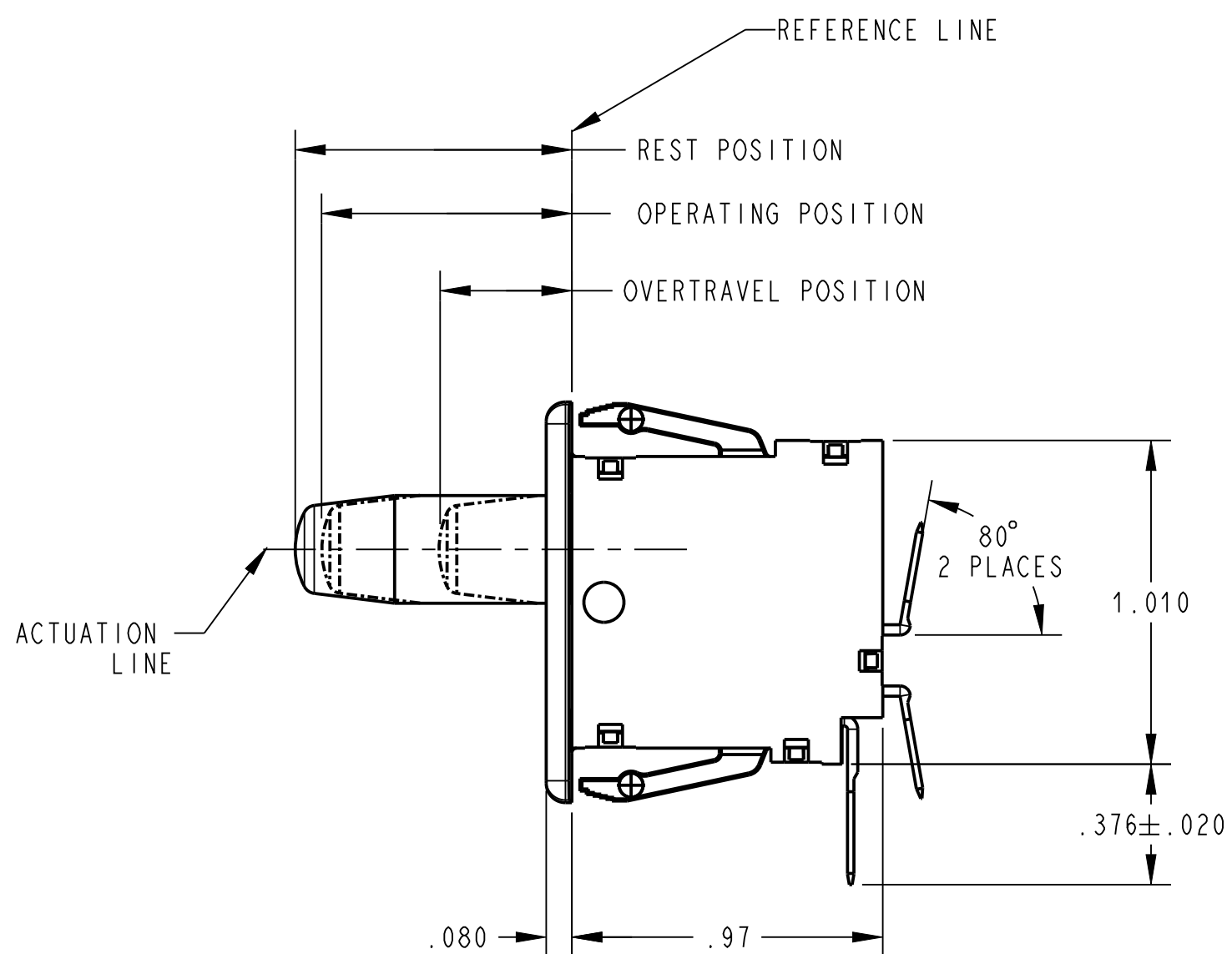
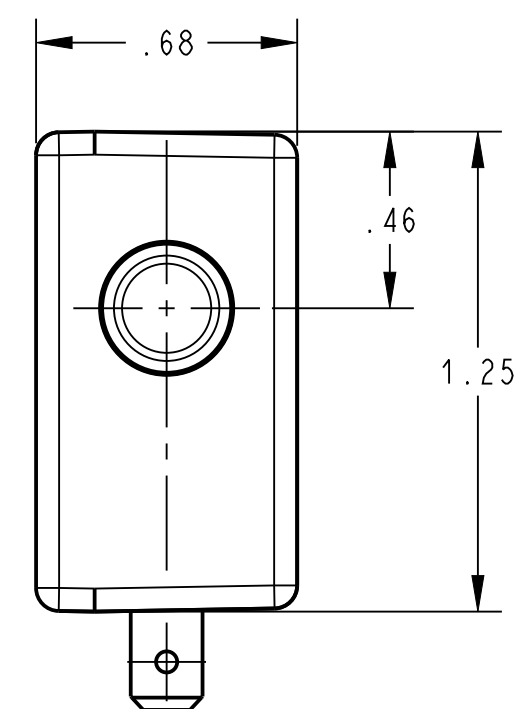
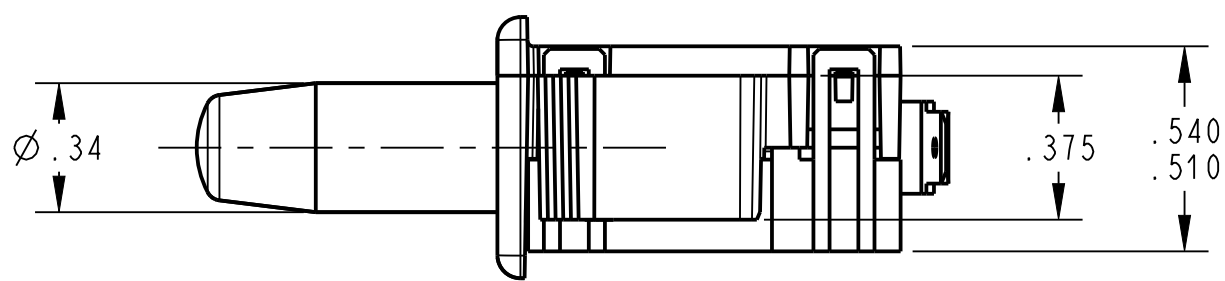


PANEL CUTOUT DETAIL  
RECOMMENDED  
PANEL THICKNESS  
.045 - .100



NOTES (UNLESS OTHERWISE SPECIFIED):

1. SWITCH CHARACTERISTICS:

REST POSITION:	.845 TO .905
PRETRAVEL:	.125 MAX.
OPERATING POSITION:	.720 TO .820
OVERTRAVEL:	.375 MIN.
MOVEMENT DIFF:	.045 MAX.
OPERATING FORCE grams	425 MAX.
RELEASE FORCE grams	85 MIN.

BUTTON POSITION  
AT FULL OVERTRAVEL. .358 MAX.

ALL CHARACTERISTICS ARE TAKEN AT THE ACTUATION LINE AND MEASURED FROM THE REFERENCE LINE.

2. **us** ELECTRICAL RATINGS:

0.1 A, 125 VAC.  
0.1A, 30 VDC

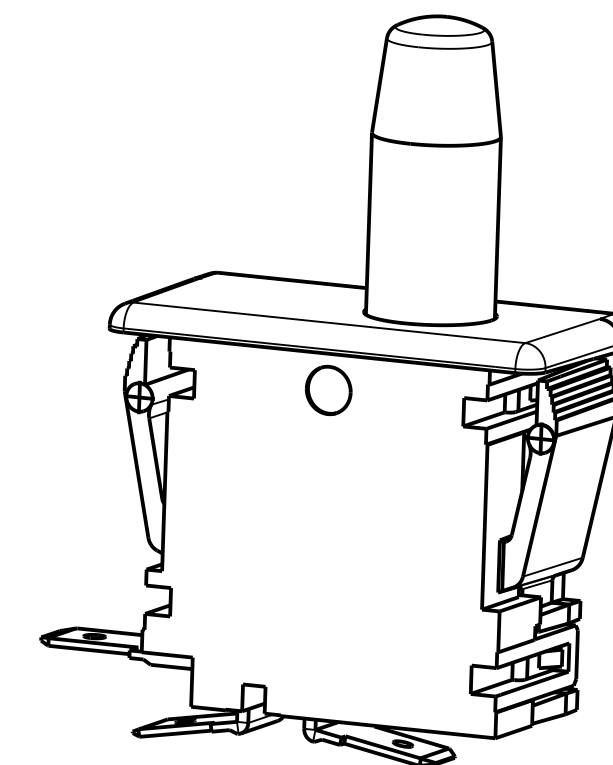
3. TERMINALS:

ARE .187 WIDE x .020 THICKNESS.

4. RECOGNIZED TO U.S. AND CANADIAN REQUIREMENTS UNDER THE COMPONENT RECOGNITION PROGRAM OF UNDERWRITERS LABORATORIES, INC.

5. TEMPERATURE RATING: -40°C TO +85°C

6. ELECTRICAL LIFE AT RATED LOAD; 100,000 CYCLES SIGNIFIED BY (L).



DWN: TLM	CONFIDENTIAL AND PROPRIETARY: ALL INFORMATION OR INVENTIONS CONTAINED IN THIS DOCUMENT OR DERIVED FROM THE INFORMATION THEREIN IS OWNED BY ZF ELECTRONIC SYSTEMS, AND IS CONFIDENTIAL AND PROPRIETARY. REVIEW OR POSSESSION OF THIS DOCUMENT INDICATES AGREEMENT THAT SUCH INFORMATION AND INVENTIONS WILL NOT BE DISCLOSED, REPRODUCED OR OTHERWISE USED IN ANY WAY WITHOUT EXPRESS WRITTEN PERMISSION FROM AN AUTHORIZED REPRESENTATIVE OF ZF ELECTRONIC SYSTEMS.	 <b>ZF Electronic Systems</b> PLEASANT PRAIRIE, WISCONSIN U.S.A. NAME / DESCRIPTION										
APVD: ELL			<b>SPECIFICATION DRAWING</b>									
DATE: 26-Sep-12												
THIRD ANGLE PROJECTION	TOLERANCE UNLESS SPECIFIED DWG UNITS    X.XX    X.XXX    ANGLES INCH    ± 0.02    ± 0.015    ± 5.0°											
<table border="1"> <tr> <td>G</td> <td>Z000375228</td> <td>09-Sep-16</td> <td>JPD</td> <td>ELL</td> </tr> <tr> <td>REV</td> <td>ECO NO.</td> <td>DATE</td> <td>PREP</td> <td>APVD</td> </tr> </table>	G	Z000375228	09-Sep-16	JPD	ELL	REV	ECO NO.	DATE	PREP	APVD	PROJECT/ CSR 4000000138	C   ITEM NO.    0E68-00A0 SCALE:    2:1    SH 1 OF 1
G	Z000375228	09-Sep-16	JPD	ELL								
REV	ECO NO.	DATE	PREP	APVD								

ORIGINAL ON PROJE