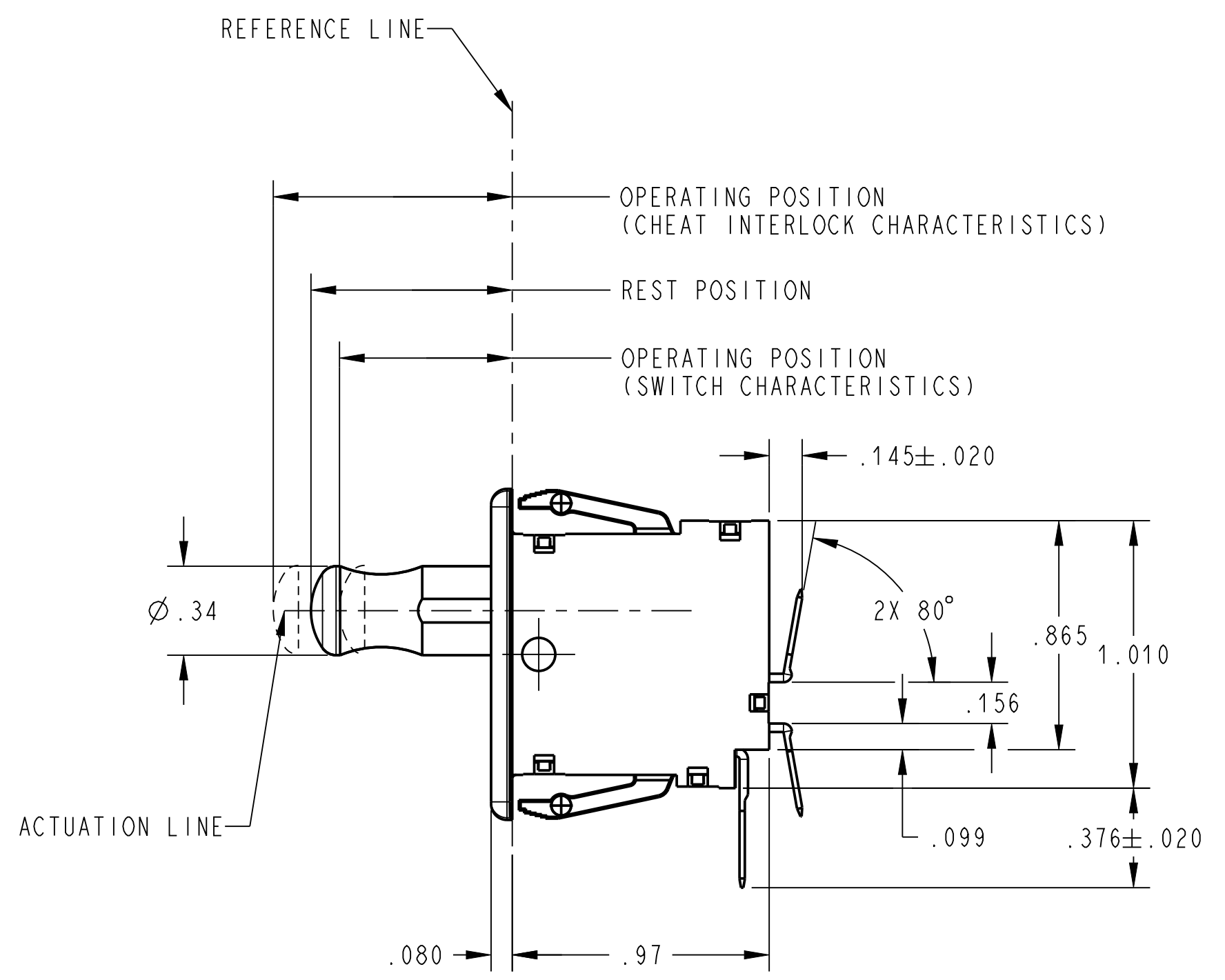
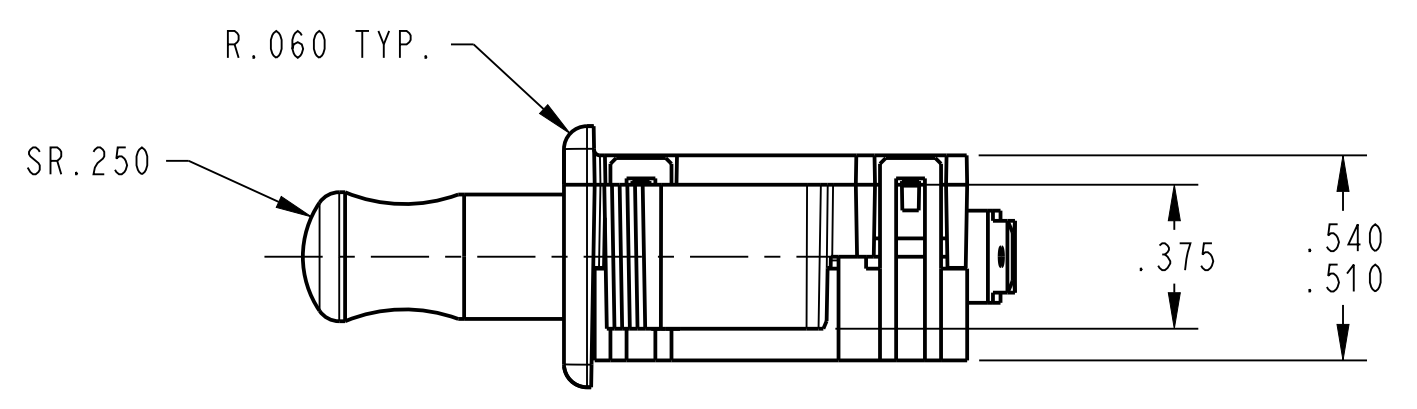
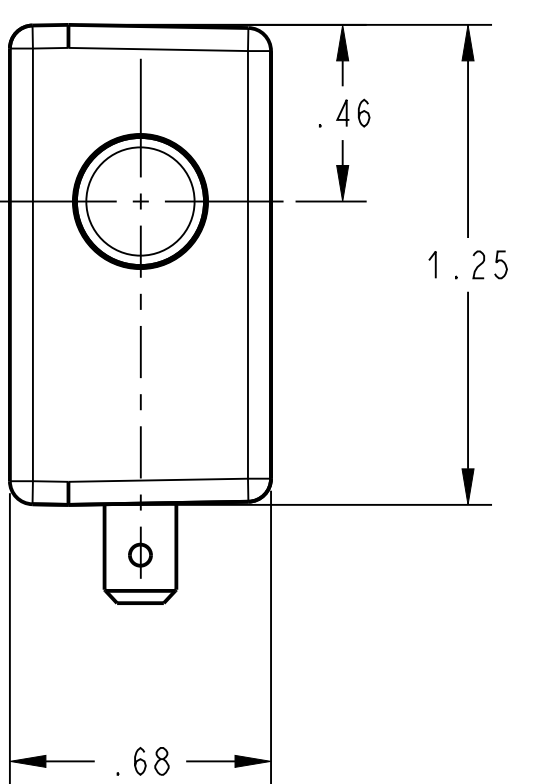


PANEL CUTOUT DETAIL
RECOMMENDED
PANEL THICKNESS
.045-.100



NOTES (UNLESS OTHERWISE SPECIFIED):

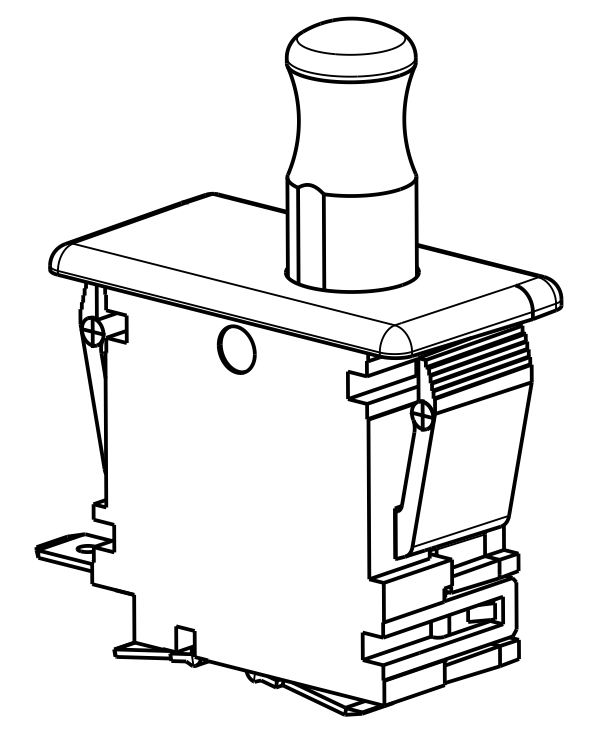
- SWITCH CHARACTERISTICS:
 - REST POSITION: .730 TO .790
 - PRETRAVEL: .125 MAX.
 - OPERATING POSITION: .610 TO .710
 - OVER-TRAVEL: .100 MIN.
 - MOVEMENT DIFF: .045 MAX
 - OPERATING FORCE grams: 425 MAX.
- BUTTON POSITION AT FULL OVERTRAVEL: .520 MAX.

ALL CHARACTERISTICS ARE TAKEN AT THE ACTUATION LINE AND MEASURED FROM THE REFEREN

CHEAT INTERLOCK CHARACTERISTICS:

- REST POSITION: .730 TO .790
- PRETRAVEL: .125 MAX.
- OPERATING POSITION: .800 TO .900
- OVER-TRAVEL: .050 MIN.
- MOVEMENT DIFF: .060 MAX.
- OPERATING FORCE grams: 585 MAX.
- FULL OVERTRAVEL: .980 MAX.

- UL** ELECTRICAL RATING
0.1 A, 125 VAC.
0.1A, 30 VDC
- TERMINALS:
ARE .187 WIDTH x .020 THICKNESS.
- RECOGNIZED TO U.S. AND CANADIAN REQUIREMENTS UNDER THE COMPONENT RECOGNITION PROGRAM OF UNDERWRITERS LABORATORIES, INC.
- TEMPERATURE RATING:
-40°C TO +85°C
- COLORS:
FACEPLATE WHITE
BUTTON WHITE
- ELECTRICAL LIFE AT RATED LOAD; 100,000 CYCLES SIGNIFIED BY (L).



DWN: J. DOLNIK		CONFIDENTIAL AND PROPRIETARY: ALL INFORMATION OR INVENTIONS CONTAINED IN THIS DOCUMENT OR DERIVED FROM THE INFORMATION THERE IN IS OWNED BY ZF ELECTRONIC SYSTEMS, AND IS CONFIDENTIAL AND PROPRIETARY. REVIEW OR POSSESSION OF THIS DOCUMENT INDICATES AGREEMENT THAT SUCH INFORMATION AND INVENTIONS WILL NOT BE DISCLOSED, REPRODUCED OR OTHERWISE USED IN ANY WAY WITHOUT EXPRESS WRITTEN PERMISSION FROM AN AUTHORIZED REPRESENTATIVE OF ZF ELECTRONIC SYSTEMS.		ZF Electronic Systems PLEASANT PRAIRIE, WISCONSIN U.S.A. NAME / DESCRIPTION	
APVD: ELL		THIRD ANGLE PROJECTION			
DATE: 18-Apr-07		TOLERANCE UNLESS SPECIFIED		SPECIFICATION DRAWING	
PROJECT/ CSR		DWG UNITS	X.XX	X.XXX	ANGLES
4000000138		INCH	± 0.02	± 0.015	± 5.0°

F	Z000375228	09-Sep-16	JPD	ELL	PROJECT/ CSR	DWG UNITS	X.XX	X.XXX	ANGLES	C	ITEM NO.	0E68-30A0
REV	ECO NO.	DATE	PREP	APVD	4000000138	INCH	± 0.02	± 0.015	± 5.0°	SCALE:	2:1	SH 1 OF 1

ORIGINAL ON PROJE