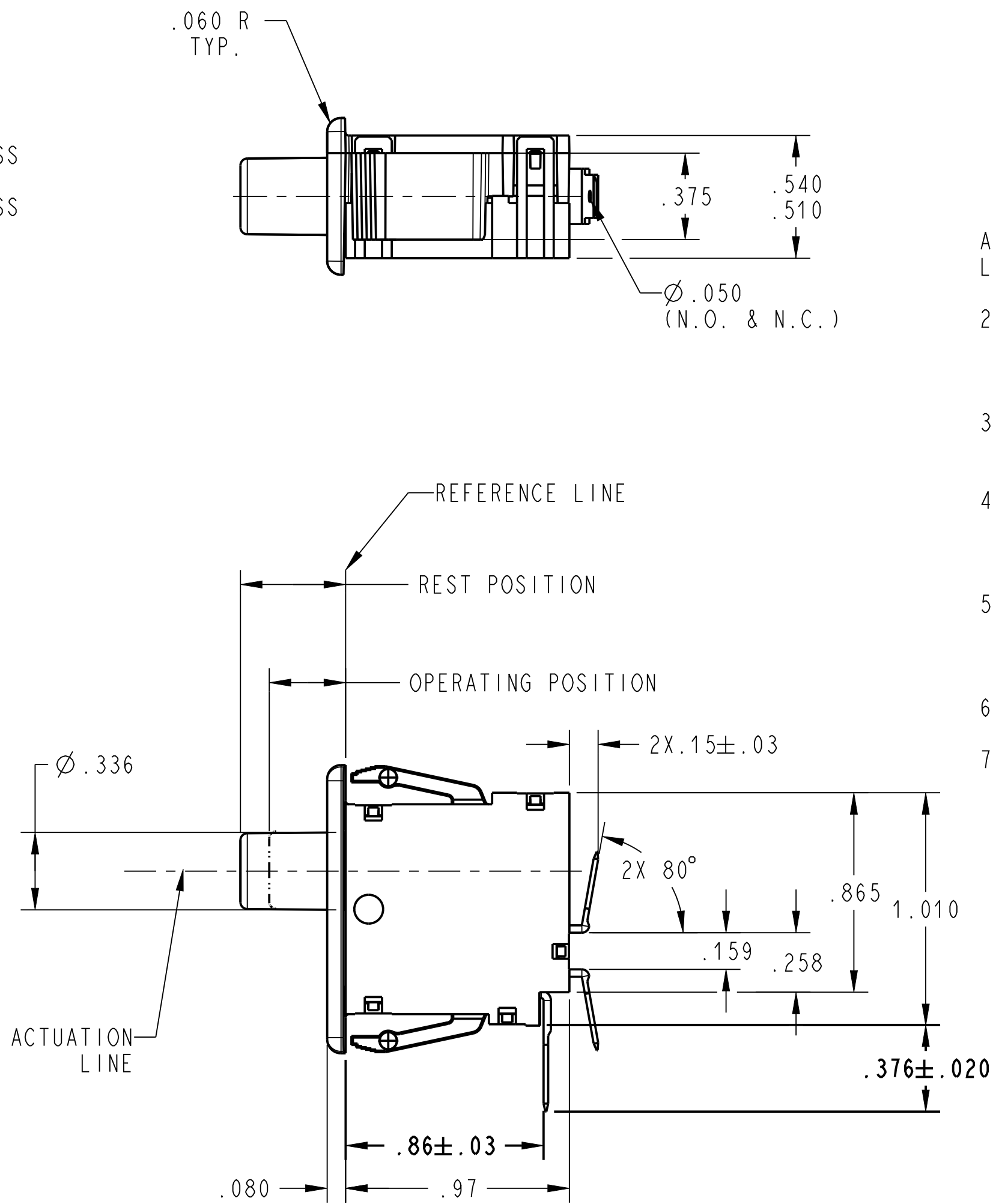
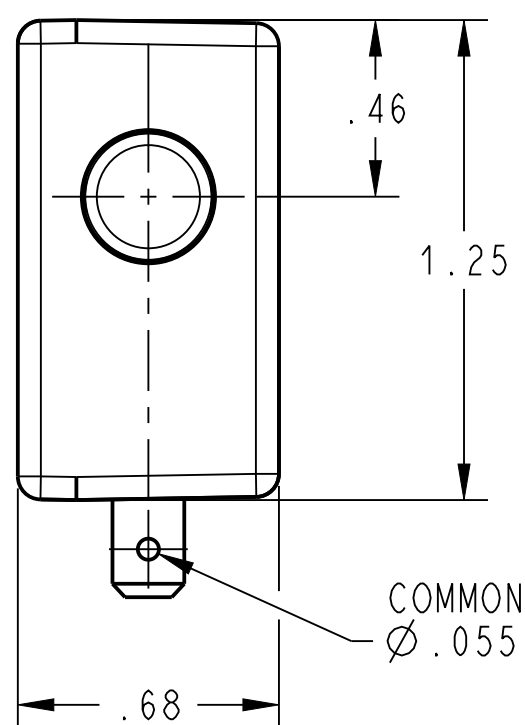


PANEL CUTOUT DETAIL
RECOMMENDED
PANEL THICKNESS
.045 - .100



NOTES: (UNLESS OTHERWISE SPECIFIED)

1. *SWITCH CHARACTERISTICS

REST POSITION	.420 TO .480
PRE-TRAVEL	.125 MAX.
OPERATING POSITION	.300 TO .400
OVER TRAVEL	.175 MIN.
MOVEMENT DIFF.	.045 MAX.
OPERATING FORCE grams	425 MAX.

BUTTON POSITION
AT FULL OVERTRAVEL. .125 MAX.

ALL CHARACTERISTICS ARE TAKEN AT THE ACTUATION LINE AND MEASURED FROM THE REFERENCE LINE.

2. **UL** ELECTRICAL RATING

0.1 AMPS 125 VAC
0.1A, 30 VDC

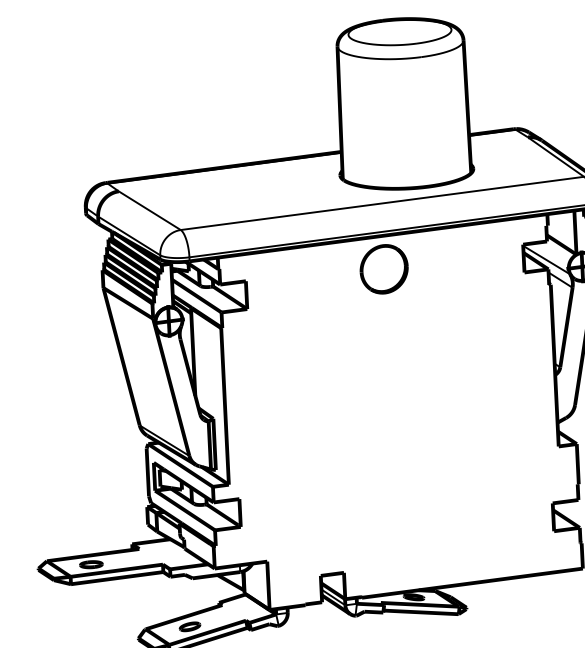
3. TERMINALS:
ARE .187 WIDE x .020 THICKNESS.


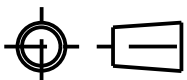
4. RECOGNIZED TO U.S. AND CANADIAN REQUIREMENTS
UNDER THE COMPONENT RECOGNITION PROGRAM OF
UNDERWRITERS LABORATORIES, INC.

5. COLORS:
FACEPLATE: WHITE
BUTTON: WHITE

6. TEMPERATURE RATING: -40°C TO +85°C

7. ELECTRICAL LIFE AT RATED LOAD: 100,000 CYCLES
MARKED WITH (L).



DWN: KAA		CONFIDENTIAL AND PROPRIETARY: ALL INFORMATION OR INVENTIONS CONTAINED IN THIS DOCUMENT OR DERIVED FROM THE INFORMATION THERE IN IS OWNED BY ZF ELECTRONIC SYSTEMS, AND IS CONFIDENTIAL AND PROPRIETARY. REVIEW OR POSSESSION OF THIS DOCUMENT INDICATES AGREEMENT THAT SUCH INFORMATION AND INVENTIONS WILL NOT BE DISCLOSED, REPRODUCED OR OTHERWISE USED IN ANY WAY WITHOUT EXPRESS WRITTEN PERMISSION FROM AN AUTHORIZED REPRESENTATIVE OF ZF ELECTRONIC SYSTEMS.			 ZF Electronic Systems PLEASANT PRAIRIE, WISCONSIN U.S.A. NAME / DESCRIPTION					
APVD: ELL							TOLERANCE UNLESS SPECIFIED DWG UNITS X.XX X.XXX ANGLES INCH ± 0.02 ± 0.015 ± 5.0°			
DATE: 23Jun-94									C ITEM NO. 0E6840A0 SCALE: 2:1 SH 1 OF 1	
THIRD ANGLE PROJECTION										
		PROJECT/ CSR		4000000138						
F	Z000375228	09-Sep-16	JPD	ELL	REV	ECO NO.	DATE	PREP	APVD	

ORIGINAL ON PROJE