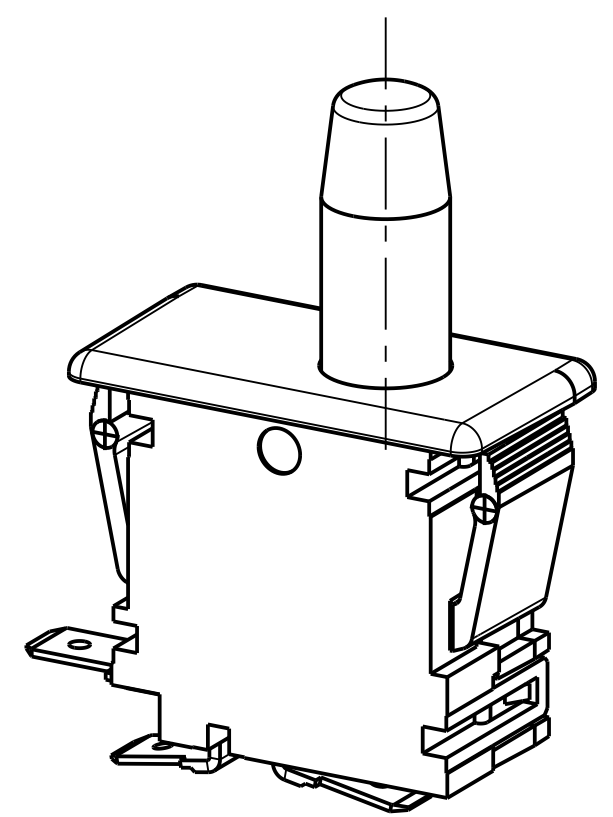
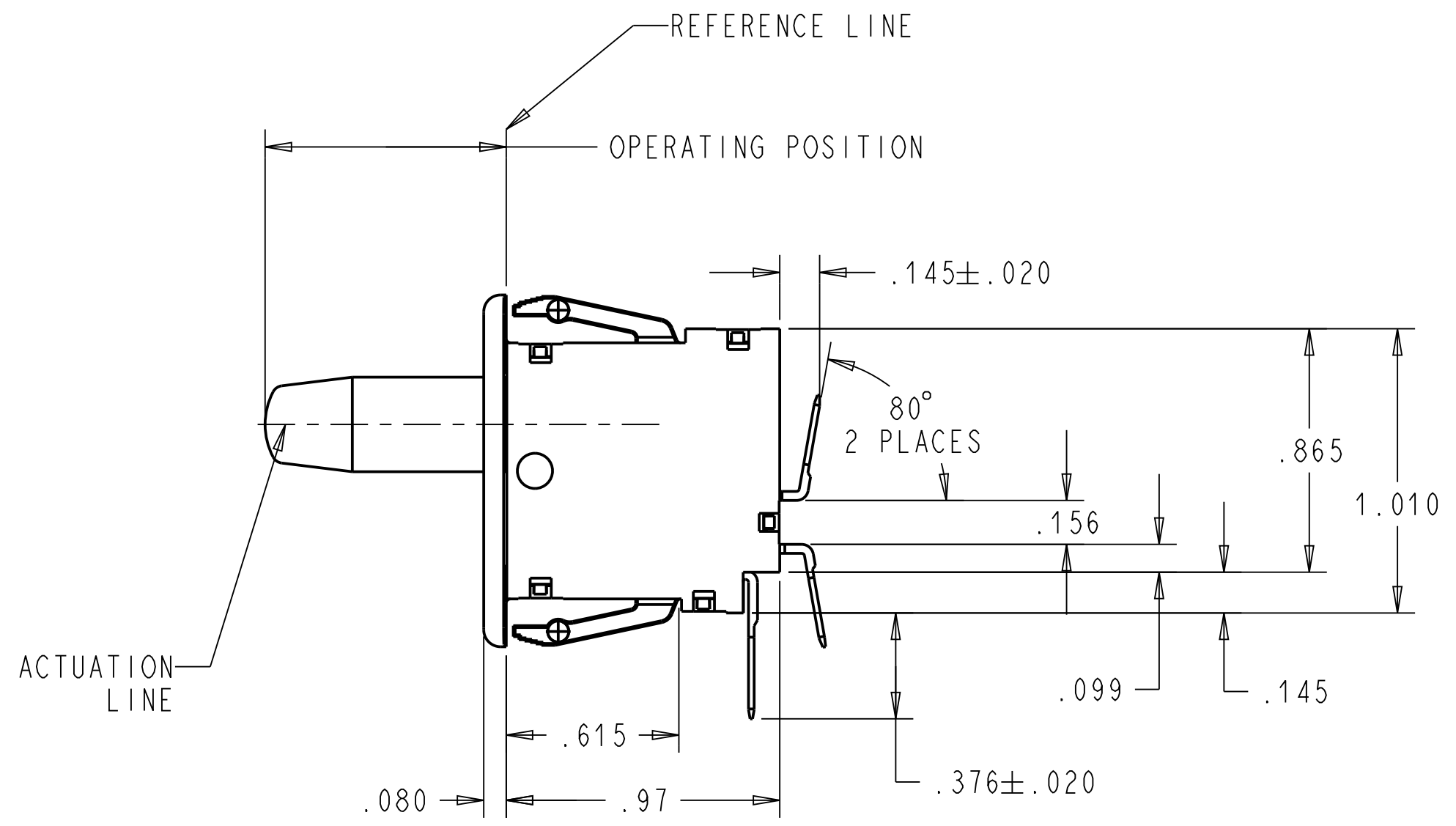
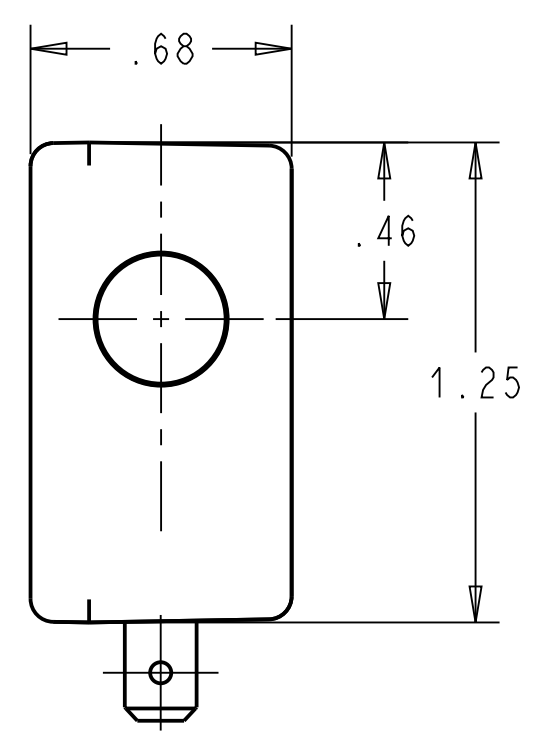


PANEL CUTOUT DETAIL  
RECOMMENDED  
PANEL THICKNESS  
.045-.100



NOTES: (UNLESS OTHERWISE SPECIFIED)

- SWITCH CHARACTERISTICS  
 REST POSITION .845 TO .905  
 PRE-TRAVEL .125 MAX  
 OPERATING POSITION .720 TO .820  
 OVER TRAVEL .375 MIN.  
 MOVEMENT DIFF. .045 MAX.  
 OPERATING FORCE grams 425 MAX.  
 RELEASE FORCE grams 85 MIN.  
  
 BUTTON POSITION  
 AT FULL OVERTRAVEL. .358 MAX.

ALL CHARACTERISTICS ARE TAKEN AT THE ACTUATION LINE AND MEASURED FROM THE REFERENCE LINE.

- us** ELECTRICAL RATING  
 10 A, 125/250 VAC  
 1/3HP, 125/250 VAC.
- TERMINALS:  
 ARE .187 WIDTH x .020 THICKNESS.
- RECOGNIZED TO U.S. AND CANADIAN REQUIREMENTS UNDER THE COMPONENT RECOGNITION PROGRAM OF UNDERWRITERS LABORATORIES, INC.
- TEMPERATURE RATINGS: -40°C TO 85°C
- COLORS: FACEPLATE: WHITE  
 BUTTON: WHITE

DWN: C. RAMOS		CONFIDENTIAL AND PROPRIETARY: ALL INFORMATION OR INVENTIONS CONTAINED IN THIS DOCUMENT OR DERIVED FROM THE INFORMATION THEREIN IS OWNED BY ZF ELECTRONIC SYSTEMS, AND IS CONFIDENTIAL AND PROPRIETARY. REVIEW OR POSSESSION OF THIS DOCUMENT INDICATES AGREEMENT THAT SUCH INFORMATION AND INVENTIONS WILL NOT BE DISCLOSED, REPRODUCED OR OTHERWISE USED IN ANY WAY WITHOUT EXPRESS WRITTEN PERMISSION FROM AN AUTHORIZED REPRESENTATIVE OF ZF ELECTRONIC SYSTEMS.			<b>ZF Electronic Systems</b> PLEASANT PRAIRIE, WISCONSIN U.S.A.	
APVD: A. Carrilo						
DATE: 13-Feb-08		THIRD ANGLE PROJECTION		NAME / DESCRIPTION		
		TOLERANCE UNLESS SPECIFIED			C ITEM NO. 0E69-00A0	
PROJECT/ CSR		DWG UNITS	X.XX	X.XXX	SCALE: 2:1 SH 1 OF 1	
H	Z000375235	06-Sep-16	JPD	ELL	4000000138	
REV	ECO NO.	DATE	PREP	APVD	INCH	± 0.02 ± 0.015 ± 5.0°

ORIGINAL ON PROJE