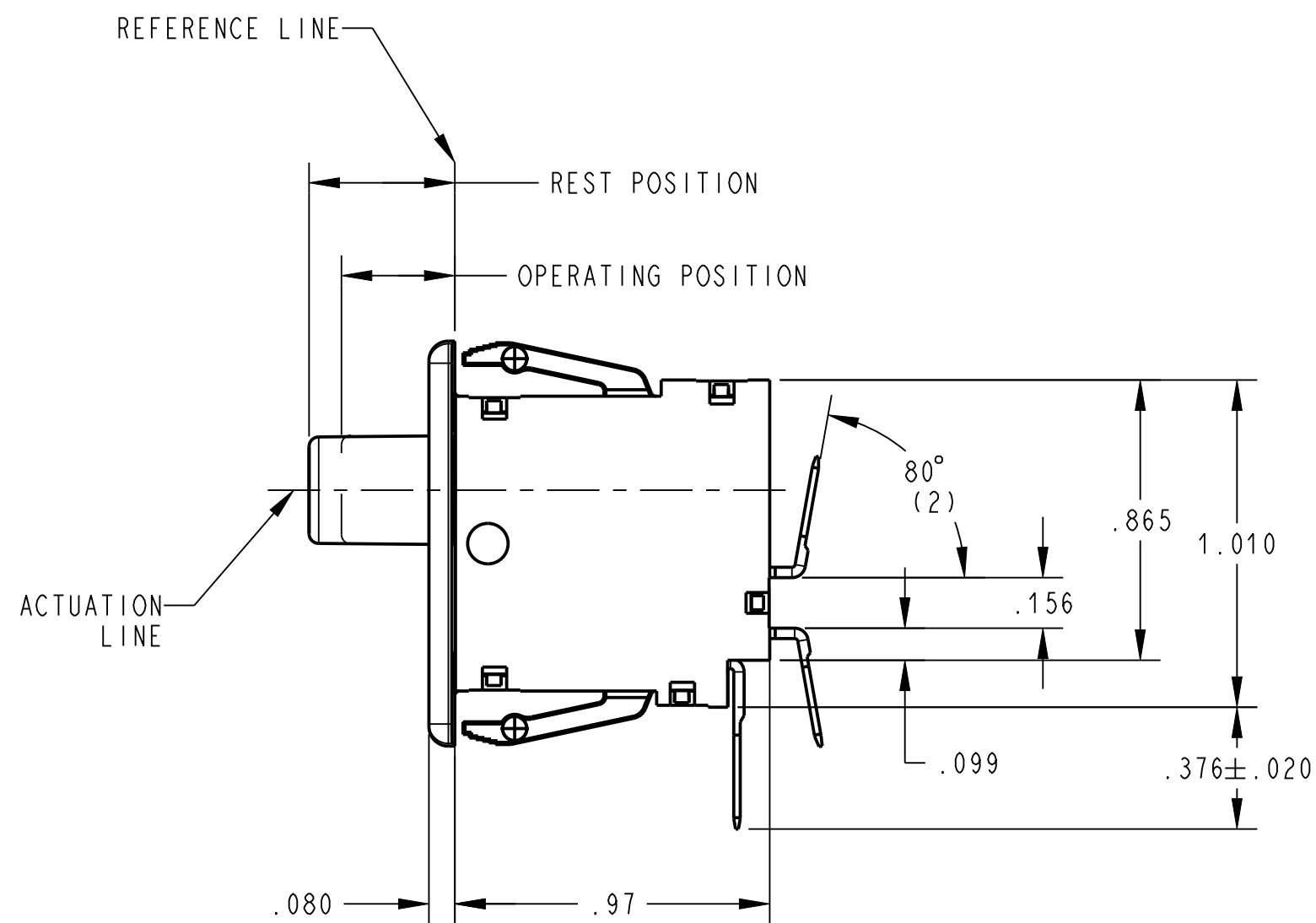
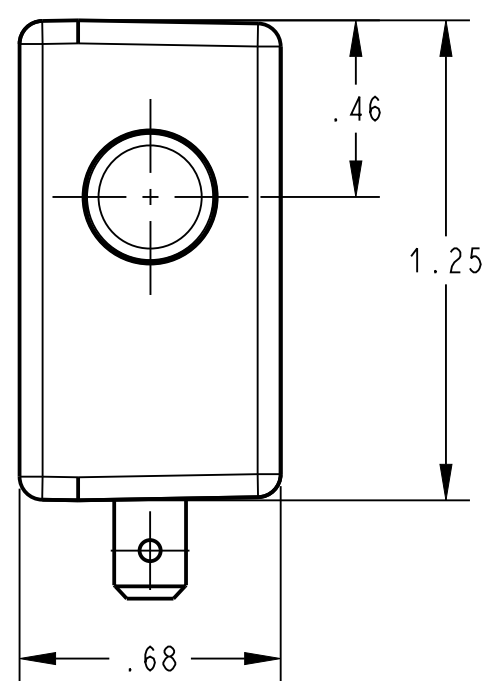
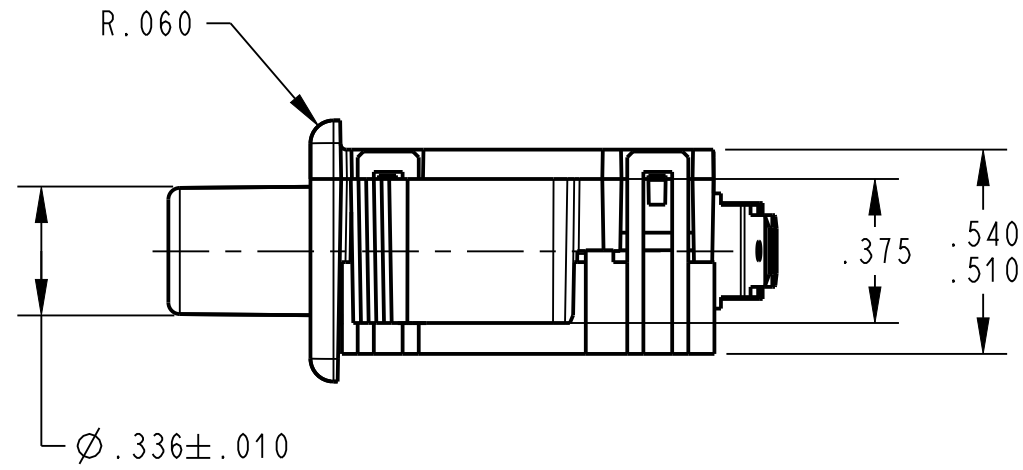


PANEL CUTOUT DETAIL  
RECOMMENDED  
PANEL THICKNESS  
.045-.100



NOTES: (UNLESS OTHERWISE SPECIFIED)

1. \*SWITCH CHARACTERISTICS

REST POSITION	.420 TO .480
PRE-TRAVEL	.125 MAX.
OPERATING POSITION	.300 TO .400
OVER TRAVEL	.175 MIN.
MOVEMENT DIFF.	.045 MAX.
OPERATING FORCE grams	425 MAX.
RELEASE FORCE grams	85 MIN.

BUTTON POSITION  
AT FULL OVERTRAVEL .125 MAX.

ALL CHARACTERISTICS ARE TAKEN AT THE ACTUATION LINE AND MEASURED FROM THE REFERENCE LINE.

2. **UL** ELECTRICAL RATING

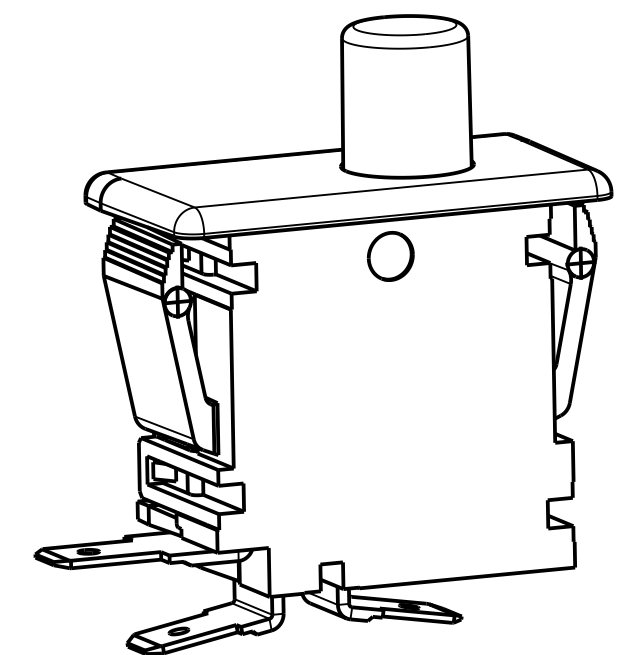
10 A, 125/250 VAC  
1/3 H.P. 125/250 VAC

3. TERMINALS:

ARE .187 WIDE x .020 THICKNESS.

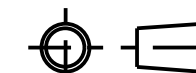
4. RECOGNIZED TO U.S. AND CANADIAN REQUIREMENTS UNDER THE COMPONENT RECOGNITION PROGRAM OF UNDERWRITERS LABORATORIES, INC.

5. TEMPERATURE RATING: -40°C TO +85°C



DWN: J. DOLNIK  
APVD: ELL  
DATE: 14-Apr-03

THIRD ANGLE PROJECTION



CONFIDENTIAL AND PROPRIETARY:  
ALL INFORMATION OR INVENTIONS CONTAINED IN THIS DOCUMENT OR DERIVED FROM THE INFORMATION THEREIN IS OWNED BY ZF ELECTRONIC SYSTEMS, AND IS CONFIDENTIAL AND PROPRIETARY. REVIEW OR POSSESSION OF THIS DOCUMENT INDICATES AGREEMENT THAT SUCH INFORMATION AND INVENTIONS WILL NOT BE DISCLOSED, REPRODUCED OR OTHERWISE USED IN ANY WAY WITHOUT EXPRESS WRITTEN PERMISSION FROM AN AUTHORIZED REPRESENTATIVE OF ZF ELECTRONIC SYSTEMS.



ZF Electronic Systems

PLEASANT PRAIRIE, WISCONSIN U.S.A.

SPECIFICATION DRAWING

B	Z000375235	06-Sep-16	JPD	ELL
REV	ECO NO.	DATE	PREP	APVD

PROJECT/ CSR	DWG UNITS	X.XX	X.XXX	ANGLES
4000000138	INCH	± 0.02	± 0.015	± 5.0 °

TOLERANCE UNLESS SPECIFIED	C	ITEM NO.	0E69-40A0
SCALE:	2:1	SH	1 OF 1

ORIGINAL ON PROJE