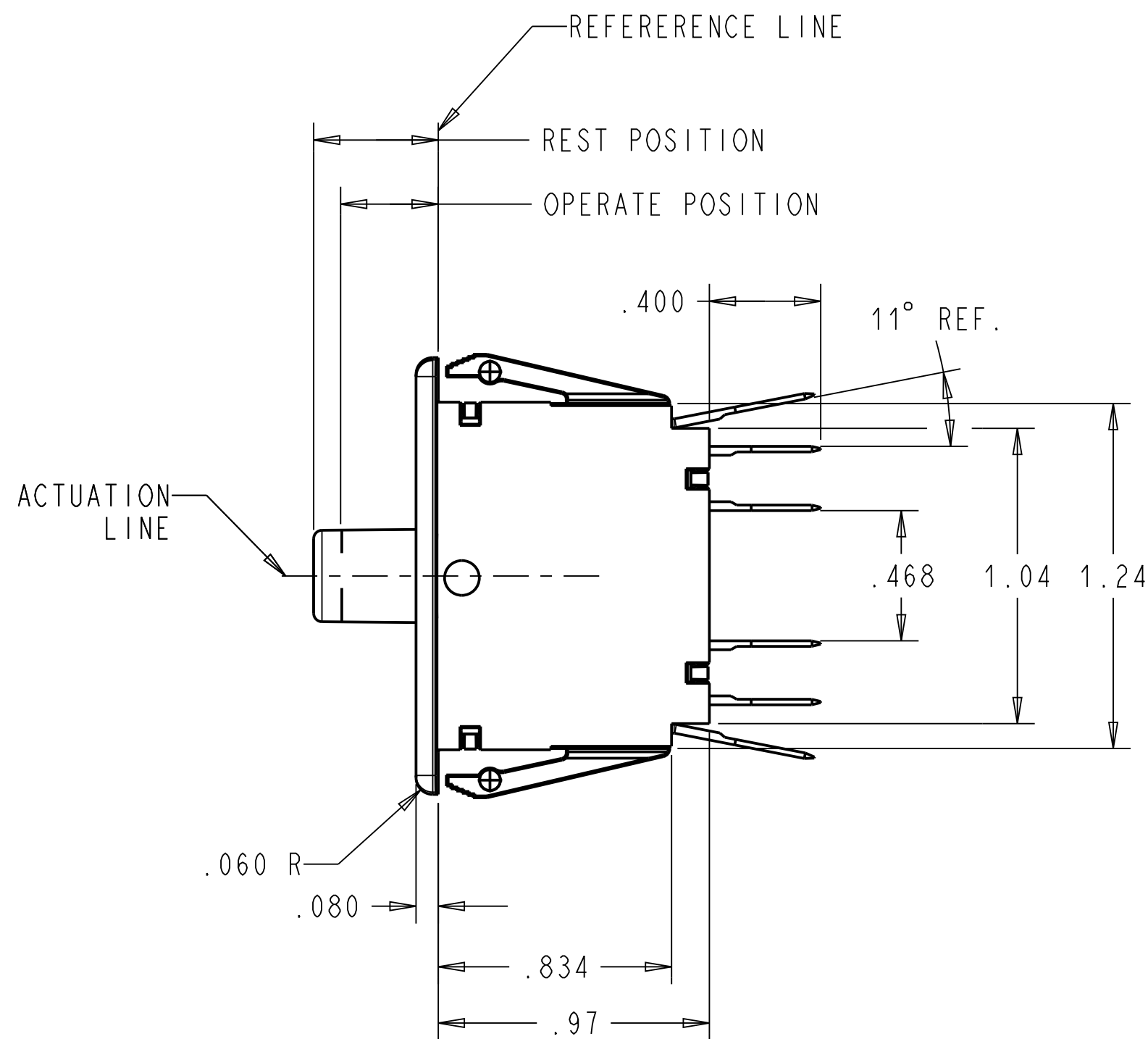
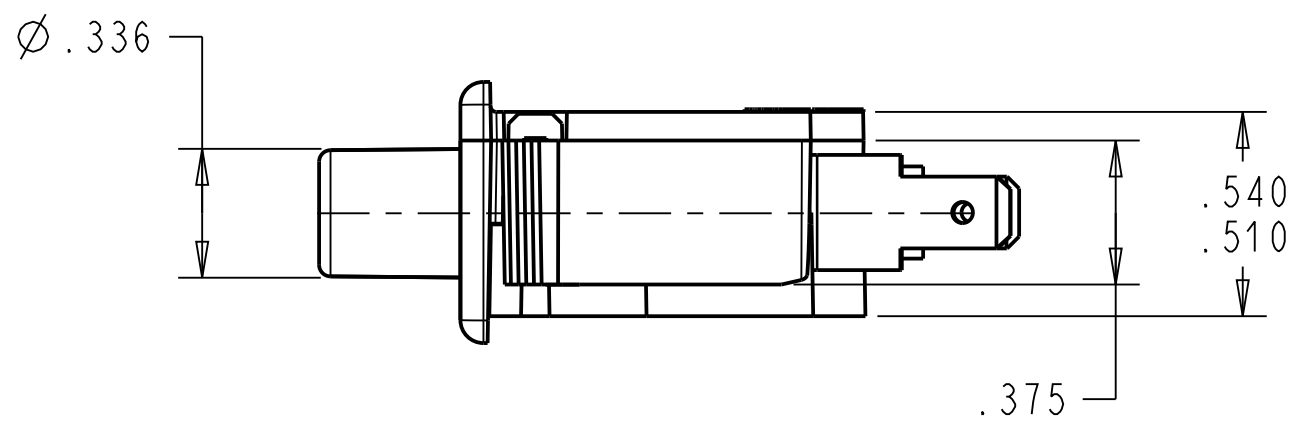
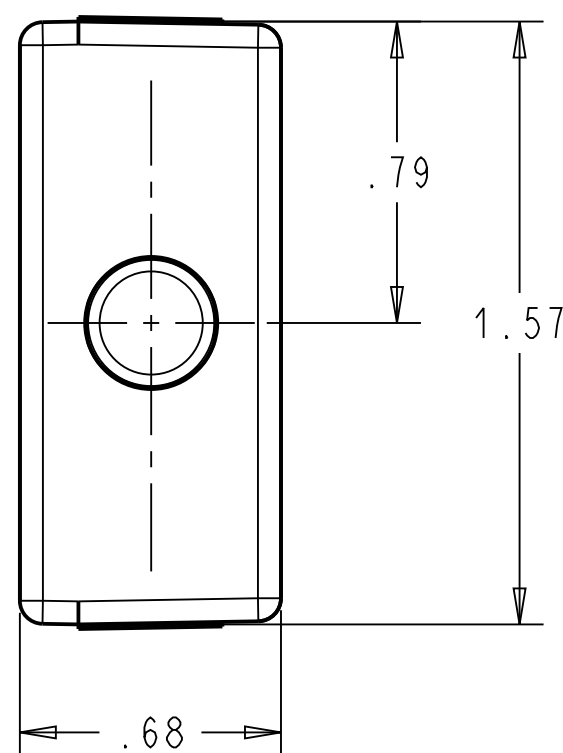


PANEL CUTOUT DETAIL
RECOMMENDED
PANEL THICKNESS
.045 - .100



NOTES: (UNLESS OTHERWISE SPECIFIED)

1. SWITCH CHARACTERISTICS:

REST POSITION	.420 TO .480
PRETRAVEL:	.125 MAX.
OPERATING POSITION:	.300 TO .400
OVER-TRAVEL:	.175 MIN.
MOVEMENT DIFFERENTIAL:	.075 MAX.
OPERATING FORCE grams	680 MAX.
RELEASE FORCE grams	170 MIN.

BUTTON POSITION
AT FULL OVERTRAVEL. .125 MAX.

ALL CHARACTERISTICS ARE TAKEN AT THE ACTUATION LINE AND MEASURED FROM THE REFERENCE LINE.

2. **UL** ELECTRICAL RATING:

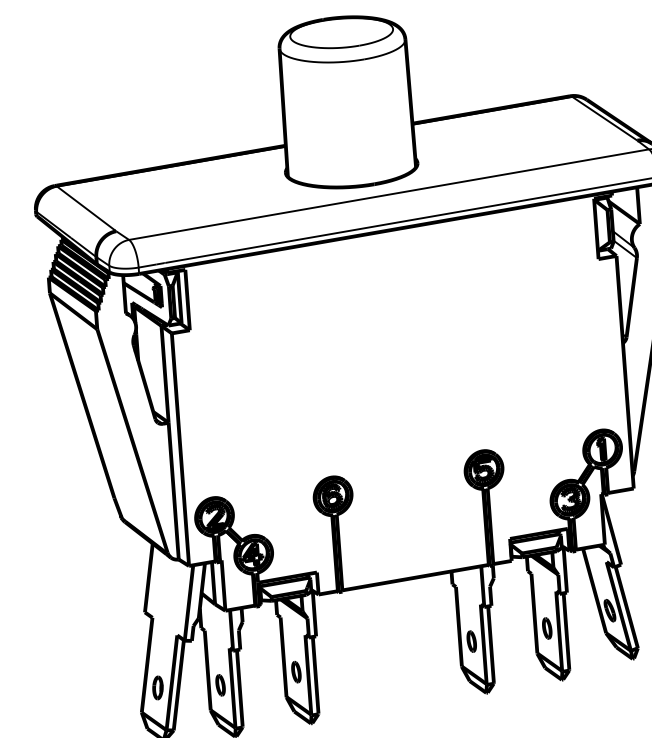
0.1A, 125 VAC.
0.1A, 30 VDC

3. TERMINALS:

ARE .187 WIDTH x .020 THICKNESS.

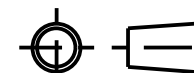
4. RECOGNIZED TO U.S. AND CANADIAN REQUIREMENTS UNDER THE COMPONENT RECOGNITION PROGRAM OF UNDERWRITERS LABORATORIES, INC.

5. TEMPERATURE RATINGS: -40°C TO 85°C



DWN: J. DOLNIK
APVD: RC
DATE: 25-Sep-03

THIRD ANGLE PROJECTION



CONFIDENTIAL AND PROPRIETARY:
ALL INFORMATION OR INVENTIONS CONTAINED IN THIS DOCUMENT OR DERIVED FROM THE INFORMATION THEREIN IS OWNED BY ZF ELECTRONIC SYSTEMS, AND IS CONFIDENTIAL AND PROPRIETARY. REVIEW OR POSSESSION OF THIS DOCUMENT INDICATES AGREEMENT THAT SUCH INFORMATION AND INVENTIONS WILL NOT BE DISCLOSED, REPRODUCED OR OTHERWISE USED IN ANY WAY WITHOUT EXPRESS WRITTEN PERMISSION FROM AN AUTHORIZED REPRESENTATIVE OF ZF ELECTRONIC SYSTEMS.



ZF Electronic Systems

PLEASANT PRAIRIE, WISCONSIN U.S.A.

SPECIFICATION DRAWING

C	Z000375476	10-Aug-16	JPD	ELL
REV	ECO NO.	DATE	PREP	APVD

PROJECT/CSR	DWG UNITS	X.XX	X.XXX	ANGLES
4000000138	INCHES	± 0.02	± 0.015	± 5.0°

C	ITEM NO.	0E78-40A0
SCALE:	2:1	SH 1 OF 1

ORIGINAL ON PROJE