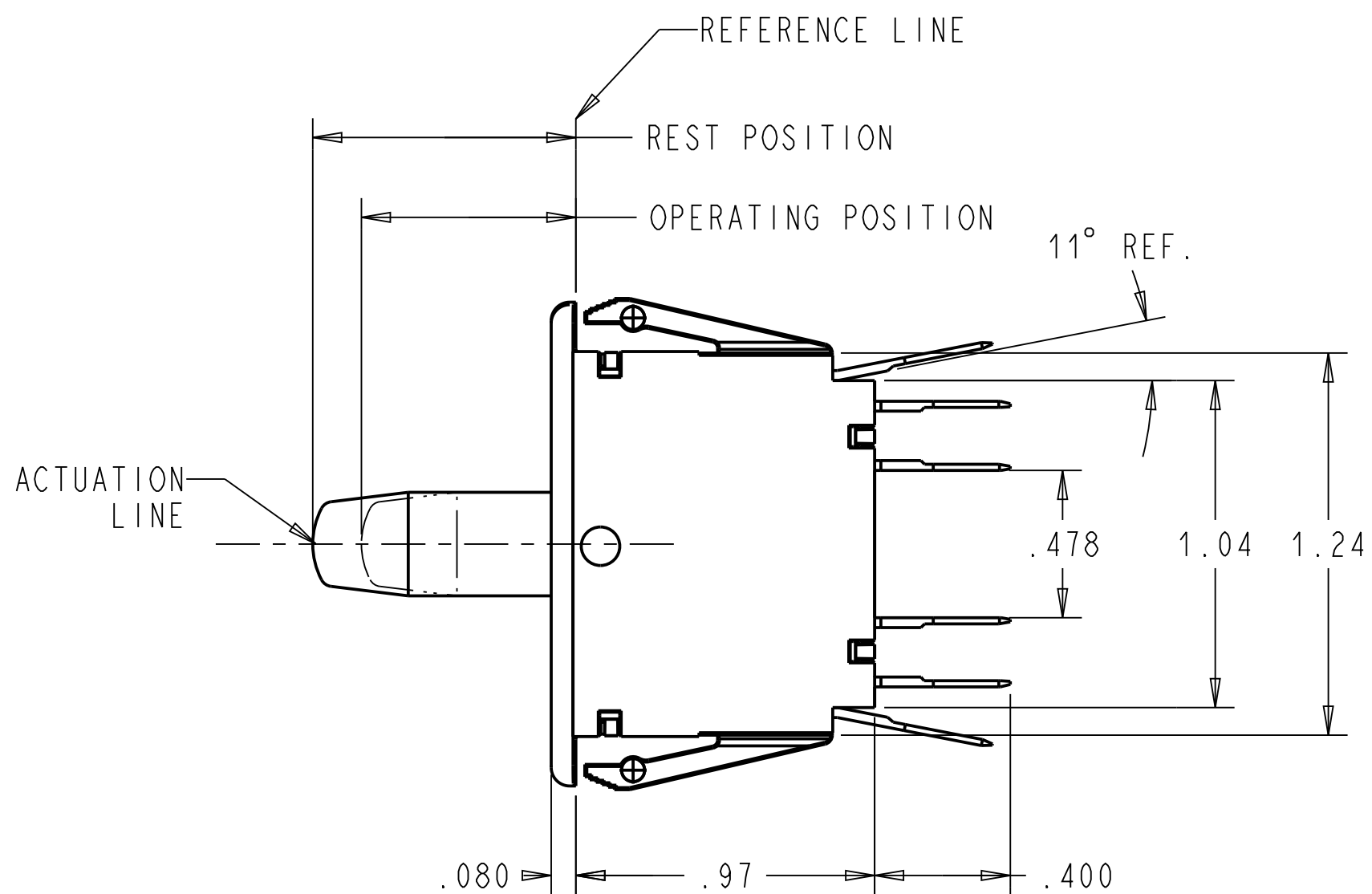
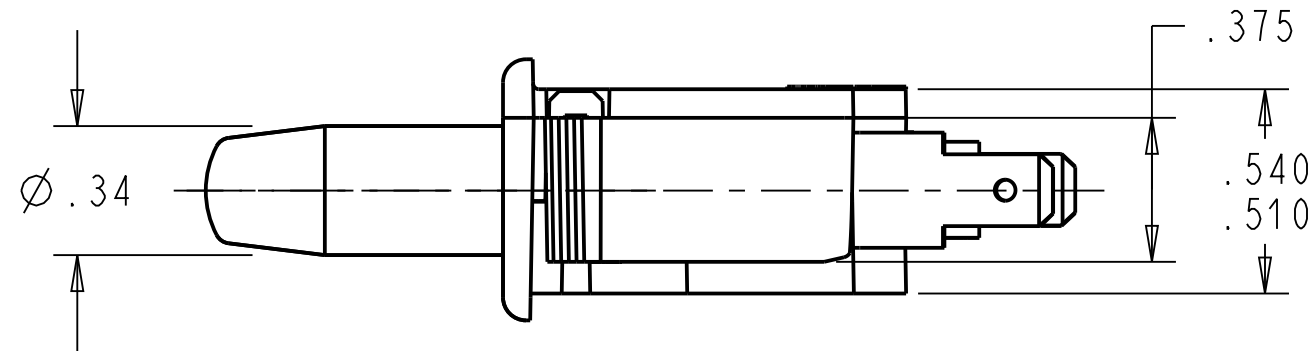
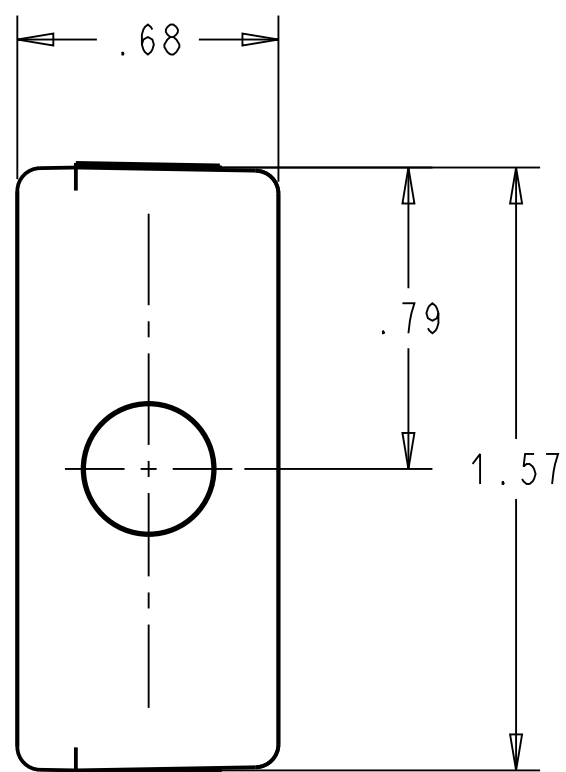


PANEL CUTOUT DETAIL
RECOMMENDED
PANEL THICKNESS
.045 - .100



NOTES: (UNLESS OTHERWISE SPECIFIED):

1. SWITCH CHARACTERISTICS:

REST POSITION	.845 TO .905
PRETRAVEL:	.125 MAX.
OPERATING POSITION:	.720 TO .820
OVER-TRAVEL:	.375 MIN.
MOVEMENT DIFFERENTIAL:	.075 MAX.
OPERATING FORCE grams.	680 MAX.
RELEASE FORCE grams.	170 MIN.

BUTTON POSITION
AT FULL OVERTRAVEL. .358 MAX.

ALL CHARACTERISTICS ARE TAKEN AT THE ACTUATION LINE AND MEASURED FROM THE REFERENCE LINE.

2. **CR**us ELECTRICAL RATINGS:

10 A, 125/250 VAC
1/3 HP 125/250 VAC

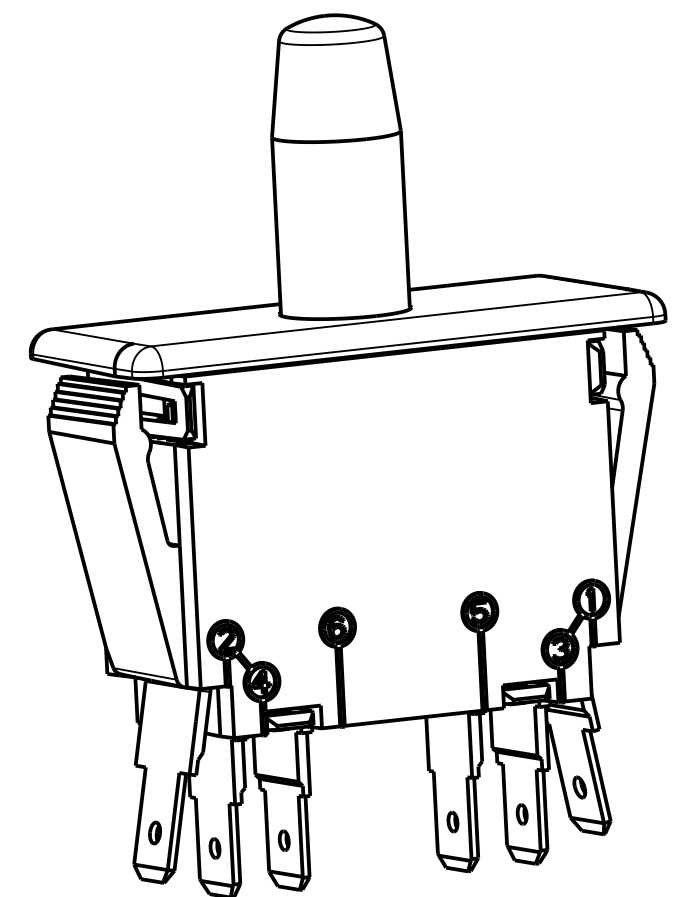
3. TERMINALS:

ARE .187 WIDE X .020 THICKNESS.

4. RECOGNIZED TO U.S. AND CANADIAN REQUIREMENTS UNDER THE COMPONENT RECOGNITION PROGRAM OF UNDERWRITERS LABORATORIES, INC.

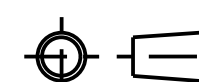
5. TEMPERATURE RATINGS: -40°C TO +85°C

6. COLORS: FACEPLATE: WHITE
BUTTON: WHITE



DWN: C RAMOS
APVD: A CARRILLO
DATE: 12-Feb-08

THIRD ANGLE PROJECTION



CONFIDENTIAL AND PROPRIETARY:
ALL INFORMATION OR INVENTIONS CONTAINED IN THIS DOCUMENT OR DERIVED FROM THE INFORMATION THEREIN IS OWNED BY ZF ELECTRONIC SYSTEMS, AND IS CONFIDENTIAL AND PROPRIETARY. REVIEW OR POSSESSION OF THIS DOCUMENT INDICATES AGREEMENT THAT SUCH INFORMATION AND INVENTIONS WILL NOT BE DISCLOSED, REPRODUCED OR OTHERWISE USED IN ANY WAY WITHOUT EXPRESS WRITTEN PERMISSION FROM AN AUTHORIZED REPRESENTATIVE OF ZF ELECTRONIC SYSTEMS.



ZF Electronic Systems

PLEASANT PRAIRIE, WISCONSIN U.S.A.

NAME / DESCRIPTION

SPECIFICATION DRAWING

J	Z000375478	10-Aug-16	JPD	ELL
REV	ECO NO.	DATE	PREP	APVD

PROJECT/ CSR	DWG UNITS	X.XX	X.XXX	ANGLES
4000000138	INCHES	± 0.02	± 0.015	± 5.0 °

TOLERANCE UNLESS SPECIFIED			

C	ITEM NO.	0E7900A0
SCALE:	2:1	SH 1 OF 1

ORIGINAL ON PRO/E