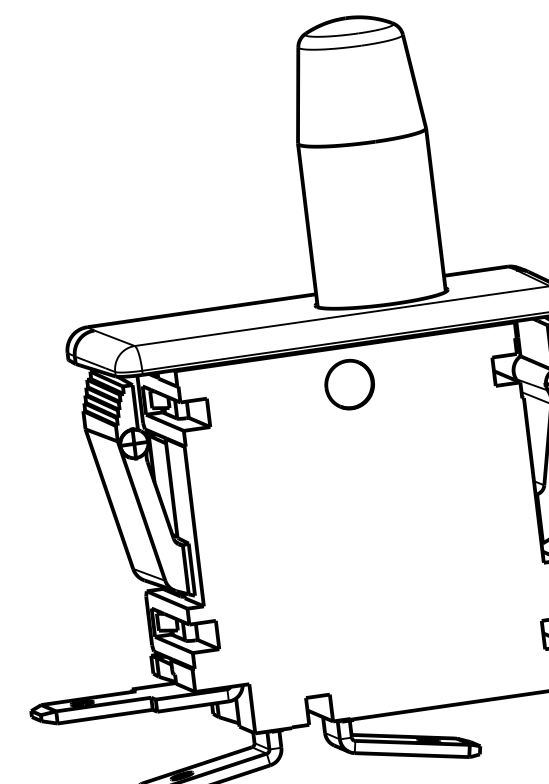
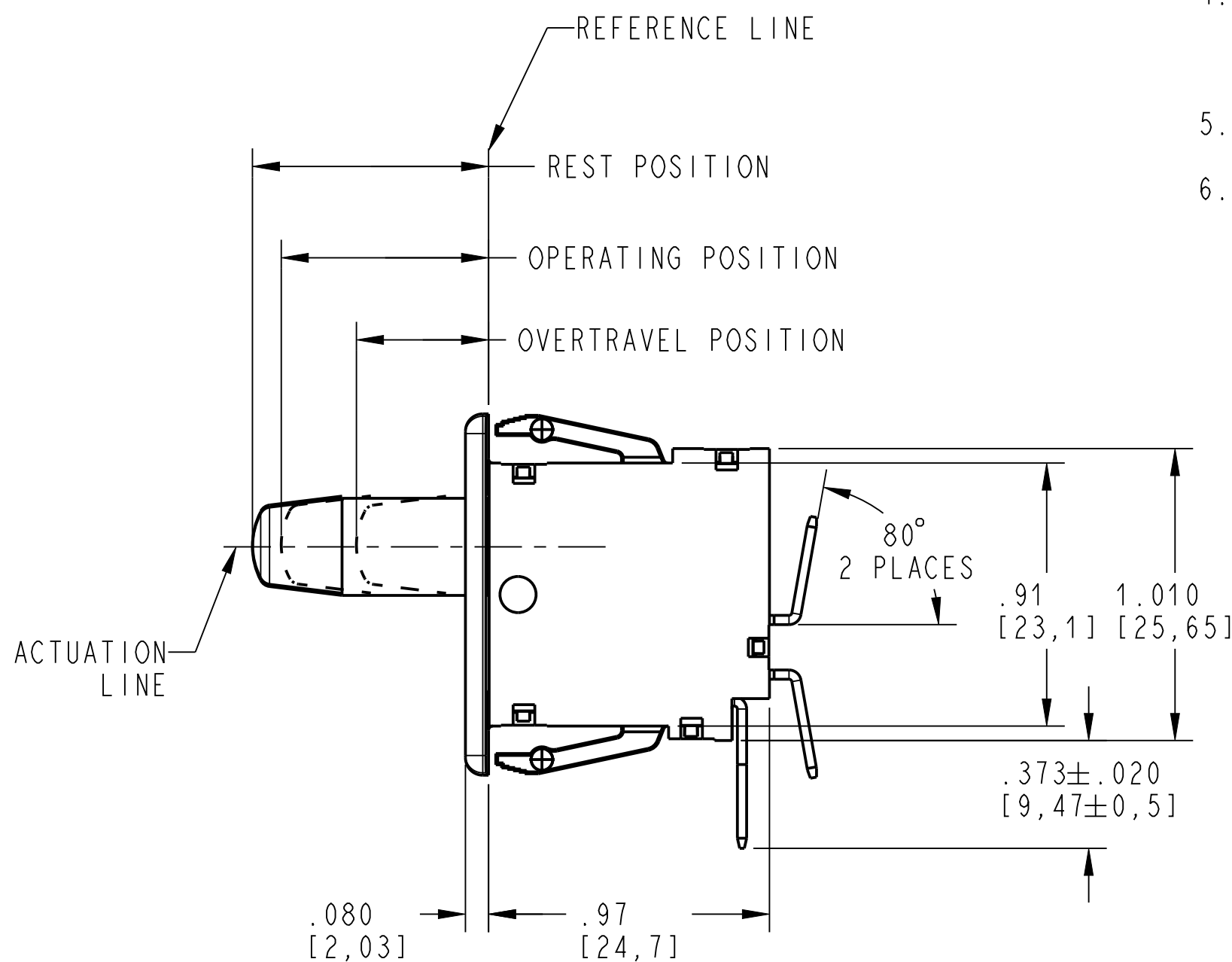
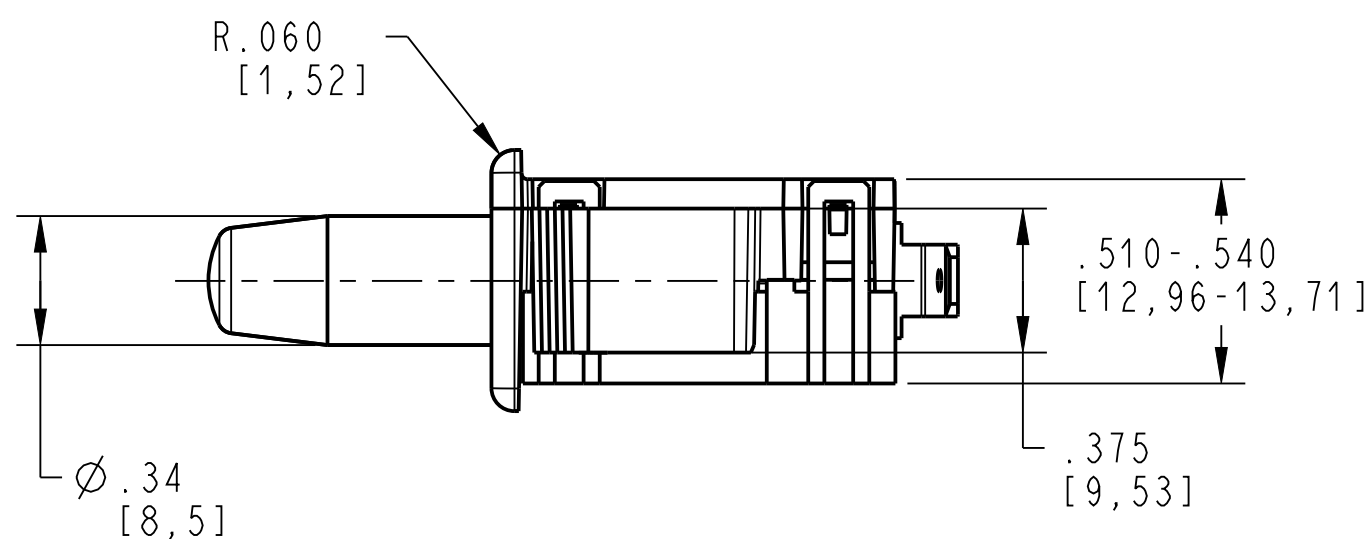
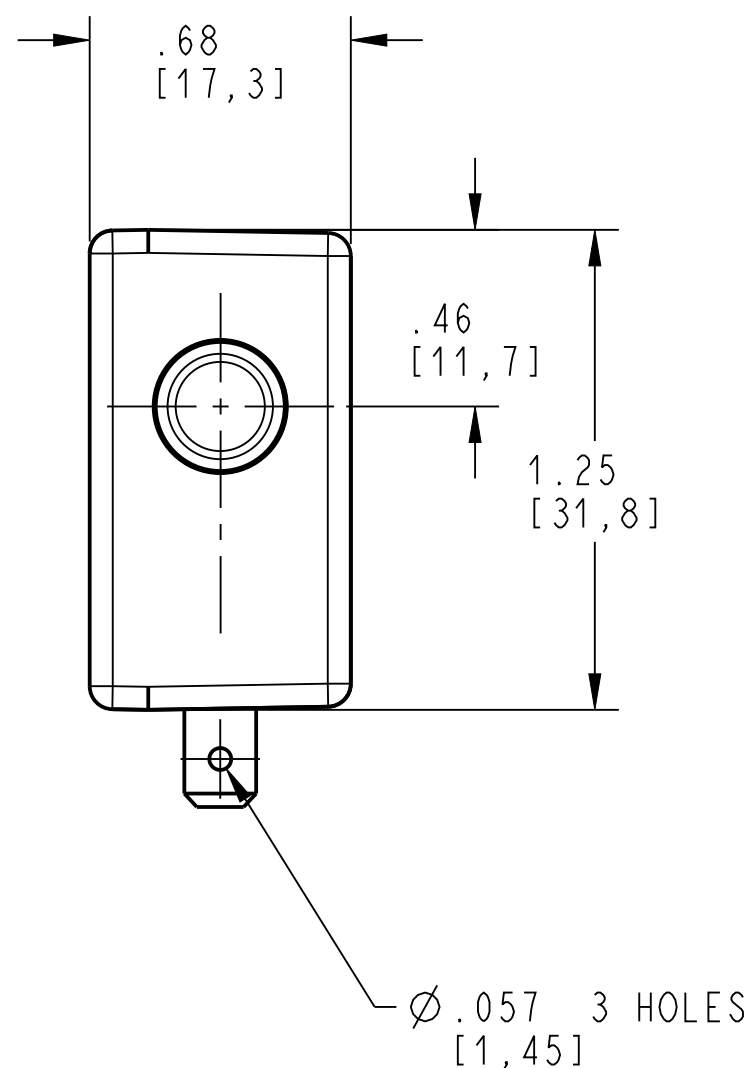


PANEL CUTOUT DETAIL
RECOMMENDED
PANEL THICKNESS
.045-.100



NOTES: (UNLESS OTHERWISE SPECIFIED)

- SWITCH CHARACTERISTICS:
 REST POSITION: .845 [21,46] TO .905 [22,99]
 PRETRAVEL: .125 [3,18] MAX.
 OPERATING POSITION: .720 [18,29] TO .820 [20,83]
 OVER-TRAVEL: .375 [9,53] MIN.
 MOVEMENT DIFFERENTIAL: .045 [1,14] MAX.
 OPERATING FORCE grams 425 MAX.
 RELEASE FORCE grams 85 MIN.

BUTTON POSITION
 AT FULL OVERTRAVEL. .358 [9,09] MAX.

ALL CHARACTERISTICS ARE TAKEN AT THE ACTUATION LINE AND MEASURED FROM THE REFERENCE LINE.

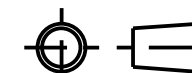
- us** ELECTRICAL RATING:
 10 A, 125/250 VAC.
 1/3HP, 125/250 VAC.

10(4)A 250V, 50E3. 40T85

- TERMINALS:
ARE .187 WIDTH x .032 THICKNESS.
- RECOGNIZED TO U.S. AND CANADIAN REQUIREMENTS UNDER THE COMPONENT RECOGNITION PROGRAM OF UNDERWRITERS LABORATORIES, INC.
- TEMPERATURE RATINGS: -40°C TO 85°C
- COLORS: FACEPLATE: WHITE
COVER: WHITE
BUTTON: WHITE

DWN: T. KULACK
 APVD: BEB
 DATE: 25-Sep-73

THIRD ANGLE PROJECTION



CONFIDENTIAL AND PROPRIETARY:
 ALL INFORMATION OR INVENTIONS CONTAINED IN THIS DOCUMENT OR DERIVED FROM THE INFORMATION THEREIN IS OWNED BY ZF ELECTRONIC SYSTEMS, AND IS CONFIDENTIAL AND PROPRIETARY. REVIEW OR POSSESSION OF THIS DOCUMENT INDICATES AGREEMENT THAT SUCH INFORMATION AND INVENTIONS WILL NOT BE DISCLOSED, REPRODUCED OR OTHERWISE USED IN ANY WAY WITHOUT EXPRESS WRITTEN PERMISSION FROM AN AUTHORIZED REPRESENTATIVE OF ZF ELECTRONIC SYSTEMS.



ZF Electronic Systems

PLEASANT PRAIRIE, WISCONSIN U.S.A.

SPECIFICATION DRAWING

G	Z000375239	2025-03-25	JPD	ELL
REV	ECO NO.	DATE	PREP	APVD

PROJECT/CSR	DWG UNITS	X.XX	X.XXX	ANGLES
4000000138	INCHES	± 0.02	± 0.015	$\pm 5.0^\circ$

C	ITEM NO.	OF69-00A0
SCALE:	2:1	SH 1 OF 1

ORIGINAL ON PROJE