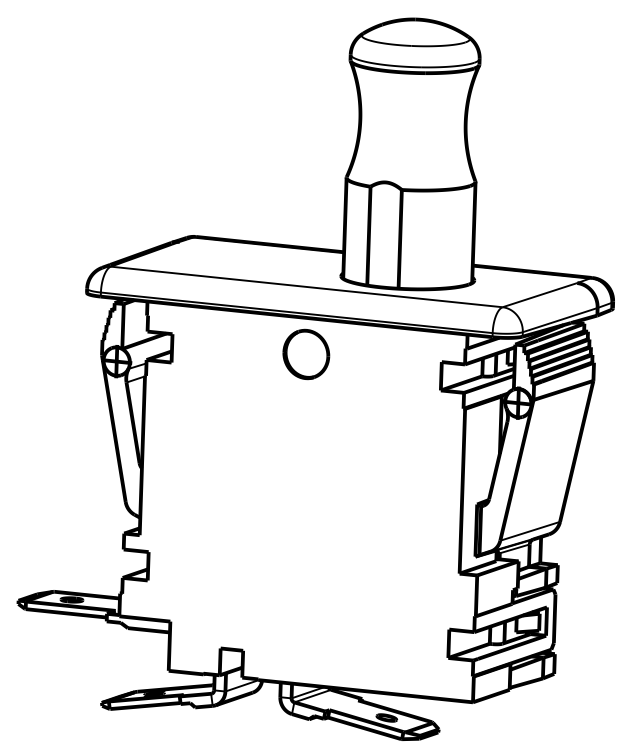
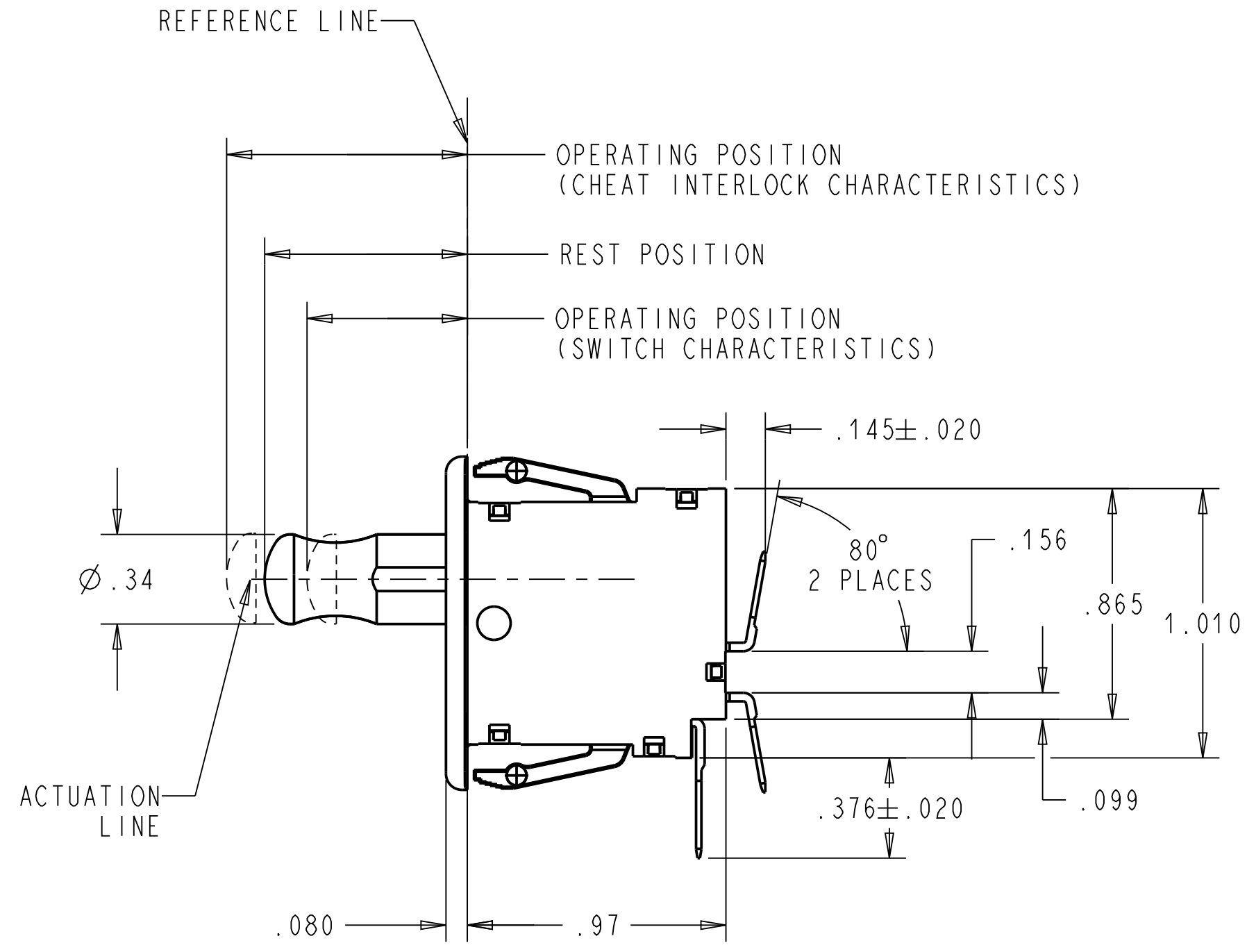
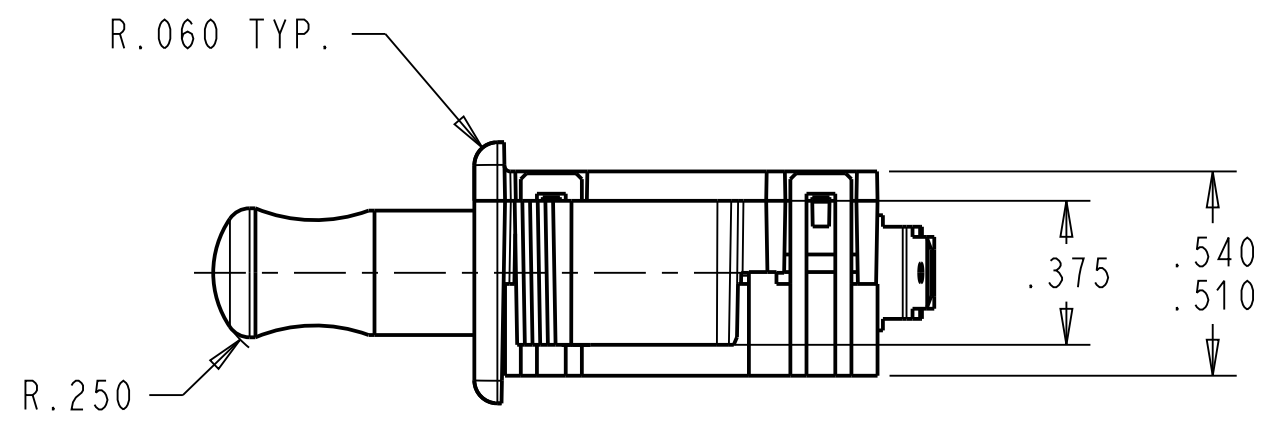
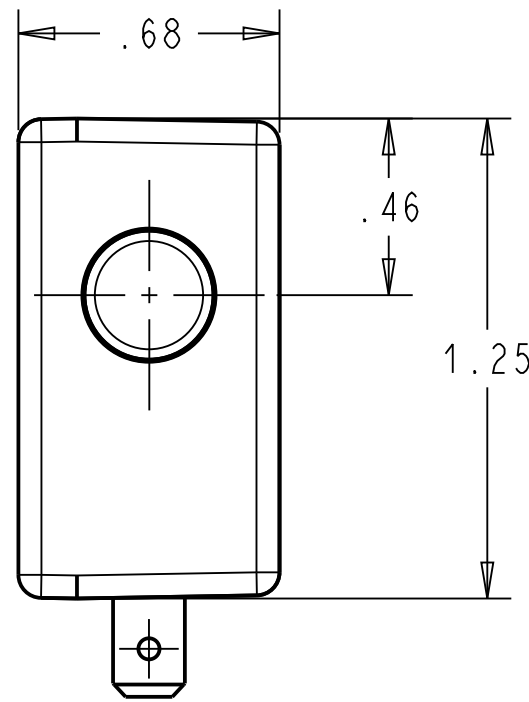


PANEL CUTOUT DETAIL
RECOMMENDED
PANEL THICKNESS
.045-.100



NOTES (UNLESS OTHERWISE SPECIFIED):

1. SWITCH CHARACTERISTICS:

REST POSITION:	.730 TO .790
PRETRAVEL:	.125 MAX.
OPERATING POSITION:	.610 TO .710
OVER-TRAVEL:	.100 MIN.
MOVEMENT DIFF:	.045 MAX.
OPERATING FORCE grams	425 MAX.

BUTTON POSITION
AT FULL OVERTRAVEL .520 MAX.

ALL CHARACTERISTICS ARE TAKEN AT THE ACTUATION LINE AND MEASURED FROM THE REFERENCE LINE.

CHEAT INTERLOCK CHARACTERISTICS

REST POSITION:	.730 TO .790
PRETRAVEL:	.125 MAX.
OPERATING POSITION:	.800 TO .900
OVER-TRAVEL:	.050 MIN.
MOVEMENT DIFF:	.060 MAX.
FULL OVERTRAVEL:	.980 MAX.
OPERATING FORCE grams	585 MAX.

2. ELECTRICAL RATING

10A, 125/250 VAC
1/3 HP, 125/250 VAC



10(4)A 250V, 50E3, 40T85

3. TERMINALS:

ARE .187 WIDTH x .020 THICKNESS.

4. -RECOGNIZED TO U.S. AND CANADIAN REQUIREMENTS UNDER THE COMPONENT RECOGNITION PROGRAM OF UNDERWRITERS LABORATORIES, INC.

5. TEMPERATURE RATING: -40°C TO +85°C

6. COLORS: FACEPLATE WHITE
BUTTON WHITE

DWN: J. DOLNIK
APVD: RC
DATE: 2016-08-29

THIRD ANGLE PROJECTION

CONFIDENTIAL AND PROPRIETARY:
ALL INFORMATION OR INVENTIONS CONTAINED IN THIS DOCUMENT OR DERIVED FROM THE INFORMATION THERE IN IS OWNED BY ZF ELECTRONIC SYSTEMS, AND IS CONFIDENTIAL AND PROPRIETARY. REVIEW OR POSSESSION OF THIS DOCUMENT INDICATES AGREEMENT THAT SUCH INFORMATION AND INVENTIONS WILL NOT BE DISCLOSED, REPRODUCED OR OTHERWISE USED IN ANY WAY WITHOUT EXPRESS WRITTEN PERMISSION FROM AN AUTHORIZED REPRESENTATIVE OF ZF ELECTRONIC SYSTEMS.



ZF Electronic Systems

PLEASANT PRAIRIE, WISCONSIN U.S.A.

SPECIFICATION DRAWING

C	Z000375239	2025-03-25	JPD	ELL	PROJECT/ CSR	DWG UNITS	X.XX	X.XXX	ANGLES	C	ITEM NO.	0F69-65A0
REV	ECO NO.	DATE	PREP	APVD	4000000138	INCHES	± 0.02	± 0.015	± 5.0°	SCALE:	2:1	SH 1 OF 1

ORIGINAL ON PROJE