
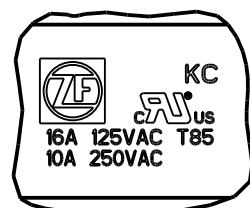
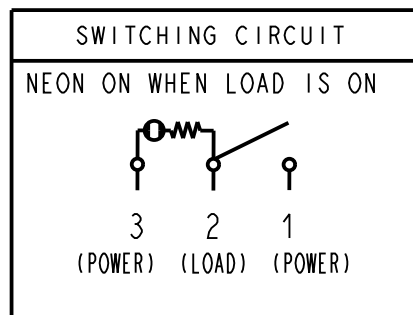


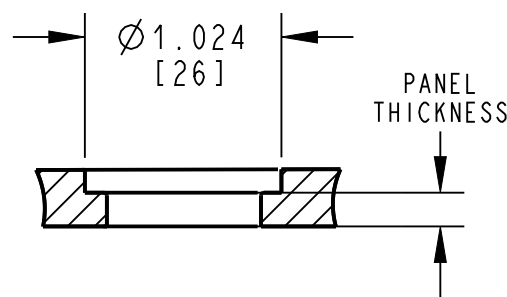
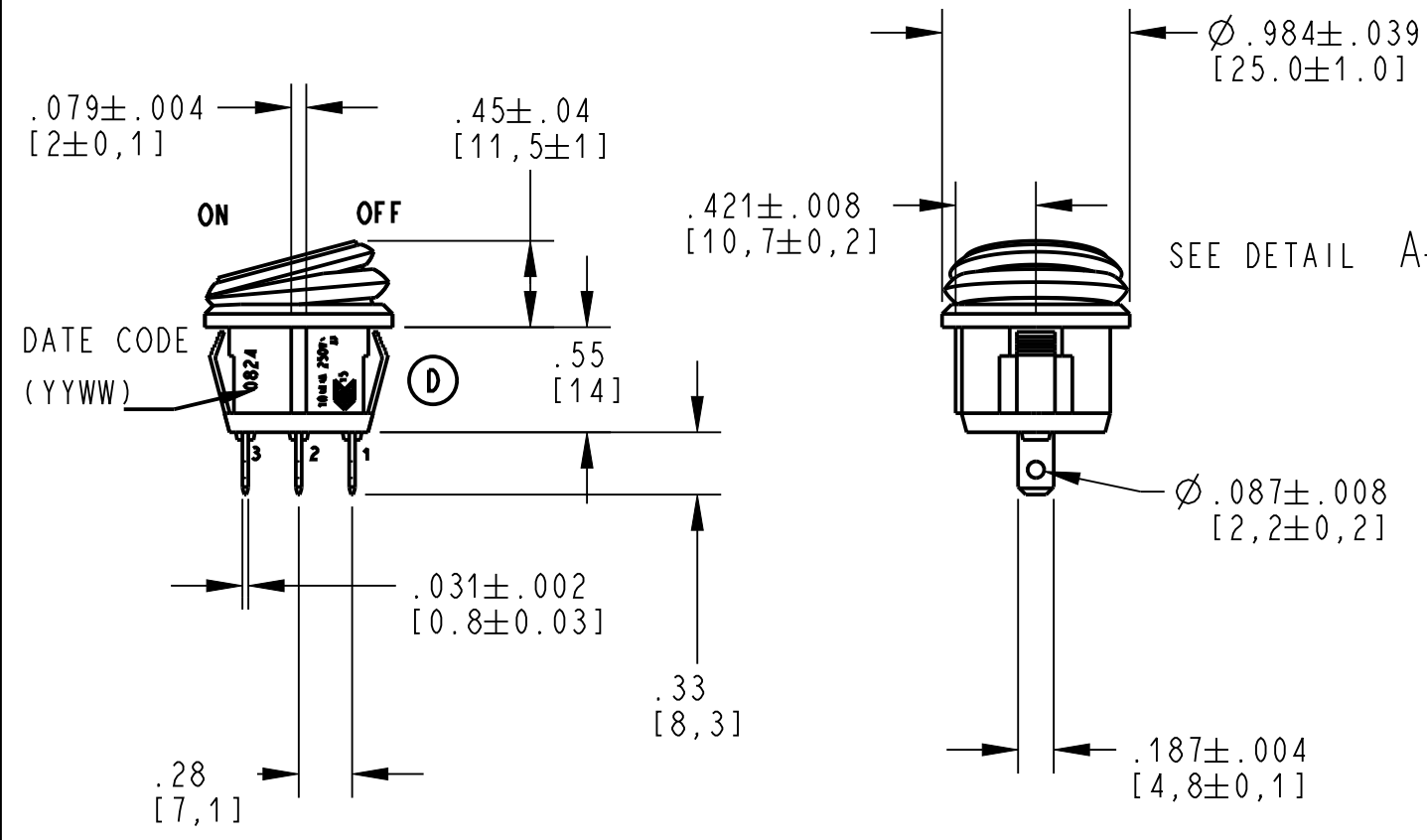
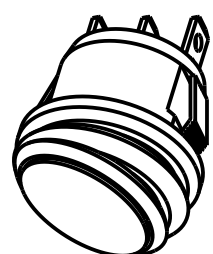
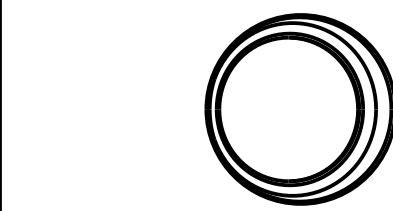
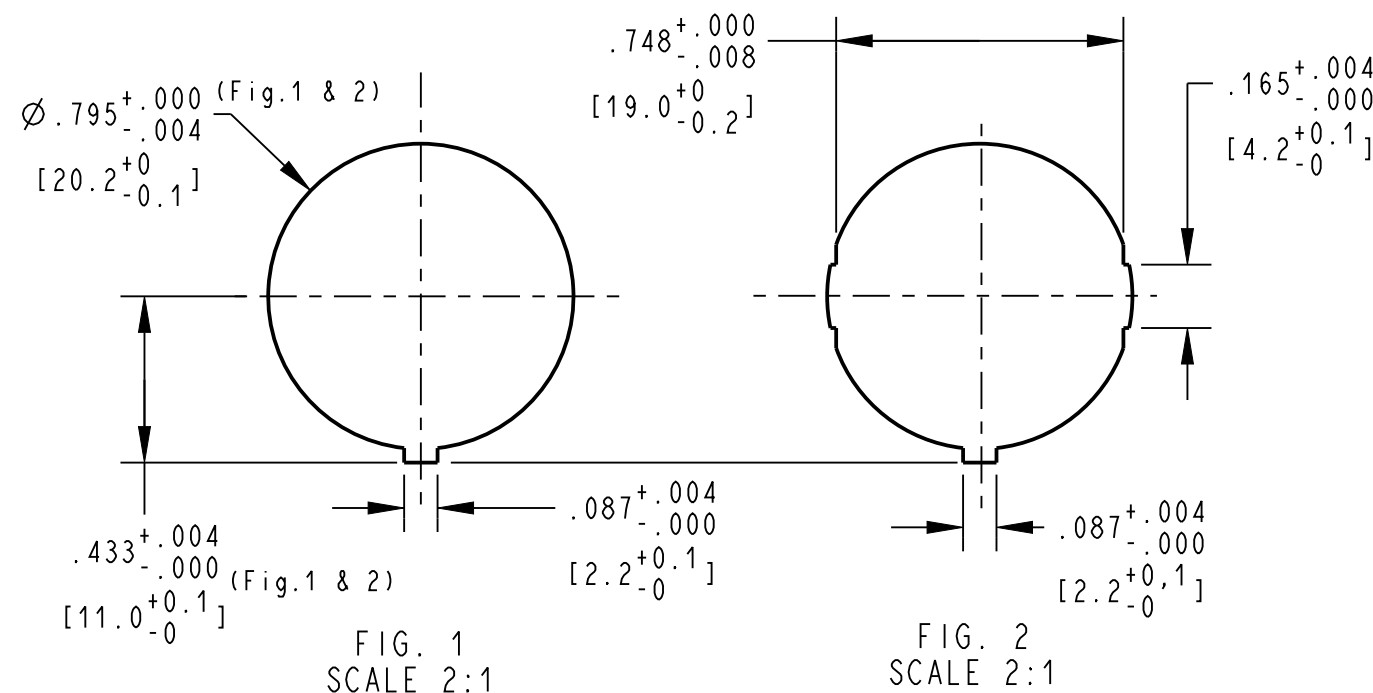
NOTES:

- RATING TO BE MARKED ON HOUSING  
16A, 125VAC; 10A, 250VAC 
- INITIAL CONTACT RESISTANCE: 50m Ω (MAX)
- INSULATION RESISTANCE: 500 VDC 100M Ω (MIN)
- DIELECTRIC STRENGTH: 1500 VAC FOR 1 MINUTE.
- WATERPROOF: IP65 CAPABLE. RUBBER SILICONE COLOR: BLACK
- OPERATION TEMPERATURE: -25°C TO +85°C
- LIGHTED: DEPENDENT; NEON BULB RATED AT 220VAC.
- ACTUATOR: RED CLEAR
- TERMINALS: SILVER-PLATED, COPPER ALLOY #3 (FOR LAMP) IS BRASS CLEAN.



DETAIL A  
SCALE 2:1

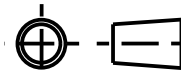
MOUNTING HOLES



| MOUNTING HOLES |                              |
|----------------|------------------------------|
| FIG.           | PANEL THICKNESS              |
| 1              | .059 TO .098<br>[1.5 TO 2.5] |
| 2              | .028 TO .098<br>[0.7 TO 2.5] |

|     |            |            |      |      |
|-----|------------|------------|------|------|
| D   | Z000766945 | 2025-01-15 | ELL  | ELL  |
| REV | ECO NO.    | DATE       | PREP | APVD |

DWN: C. RAMOS  
APVD: J. RUMMELHART  
DATE: 16-Jun-08  
THIRD ANGLE PROJECTION




PROJECT/ CSR  
N/A

CONFIDENTIAL AND PROPRIETARY:  
ALL INFORMATION OR INVENTIONS CONTAINED IN THIS DOCUMENT OR DERIVED FROM THE INFORMATION THERE IN IS OWNED BY ZF ELECTRONIC SYSTEMS, AND IS CONFIDENTIAL AND PROPRIETARY. REVIEW OR POSSESSION OF THIS DOCUMENT INDICATES AGREEMENT THAT SUCH INFORMATION AND INVENTIONS WILL NOT BE DISCLOSED, REPRODUCED OR OTHERWISE USED IN ANY WAY WITHOUT EXPRESS WRITTEN PERMISSION FROM AN AUTHORIZED REPRESENTATIVE OF ZF ELECTRONIC SYSTEMS.

TOLERANCE UNLESS SPECIFIED

|             |        |         |        |
|-------------|--------|---------|--------|
| DWG UNITS   | X.XX   | X.XXX   | ANGLES |
| INCHES (mm) | ± 0.02 | ± 0.012 | ± 5 °  |



ZF Electronic Systems

PLEASANT PRAIRIE, WISCONSIN U.S.A.

NAME / DESCRIPTION  
**KC-SPST ON-OFF LIGHTED**

|        |                      |
|--------|----------------------|
| B      | ITEM NO. KCA2AEA2RBB |
| SCALE: | 1:1 SH 1 OF 1        |

ORIGINAL ON PROJE