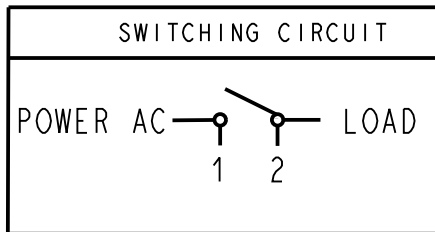


DETAIL A
SCALE 2:1



NOTES:

1. RATING TO BE MARKED ON HOUSING

16A, 125VAC us
 10A, 250VAC
 10(4)A, 250VAC ~ μ T85/55 10E3 (J)
 20A 14VDC, 10A 28VDC us

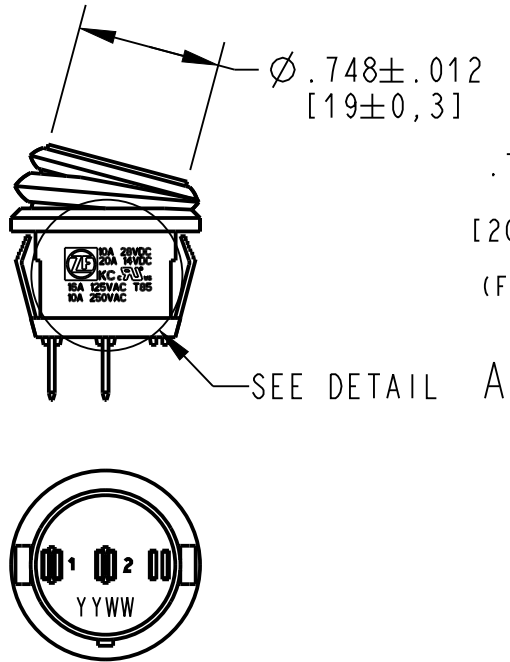
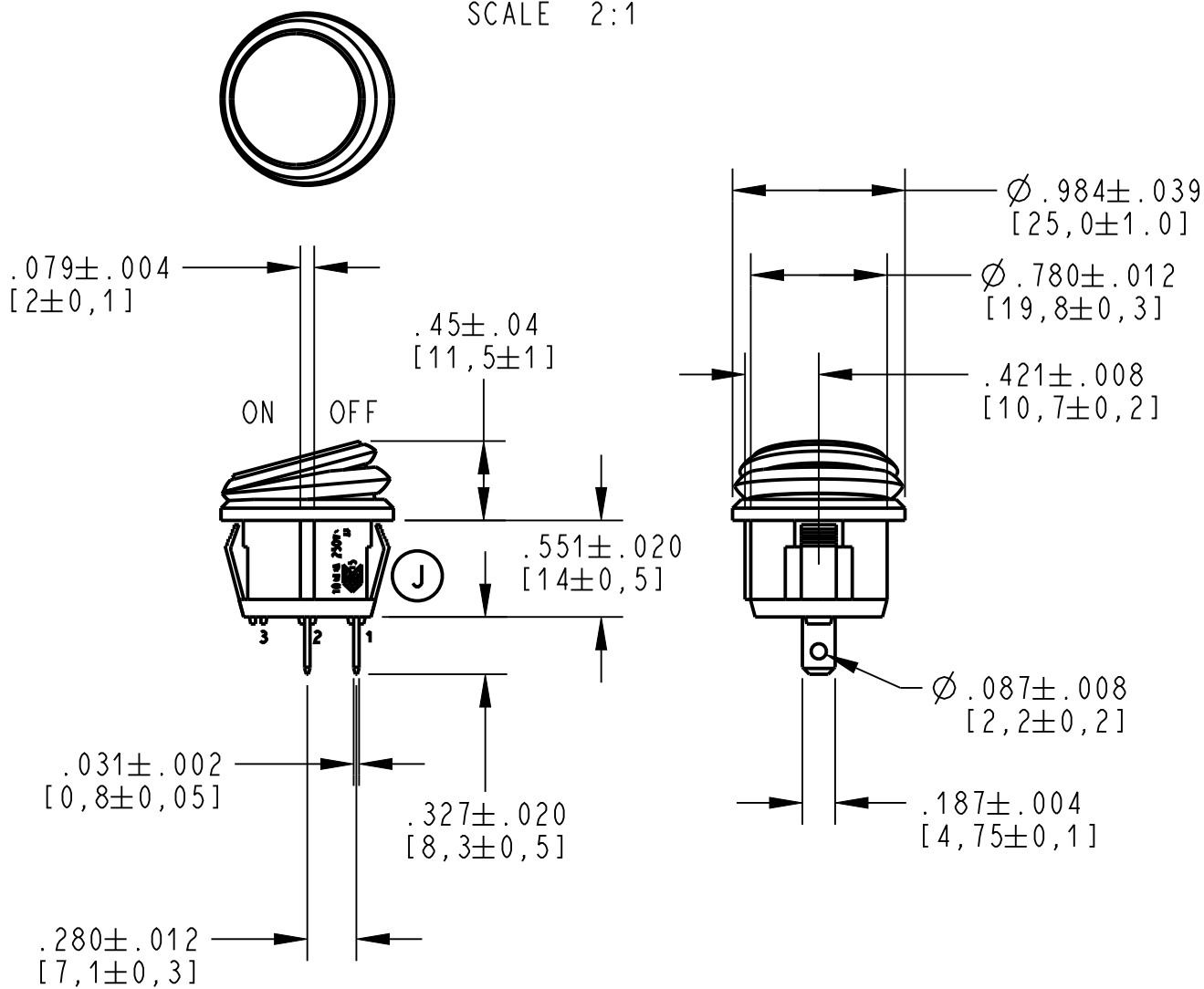
2. INITIAL CONTACT RESISTANCE: 50m Ω (MAX)

3. INSULATION RESISTANCE: 500 VDC 100M Ω (MIN)

4. DIELECTRIC STRENGTH: 1500 VAC FOR 1 MINUTE.

5. WATERPROOF: IP65 CAPABLE. RUBBER SILICONE COLOR: BLACK

6. OPERATION TEMPERATURE: -25°C TO +85°C



MOUNTING HOLES

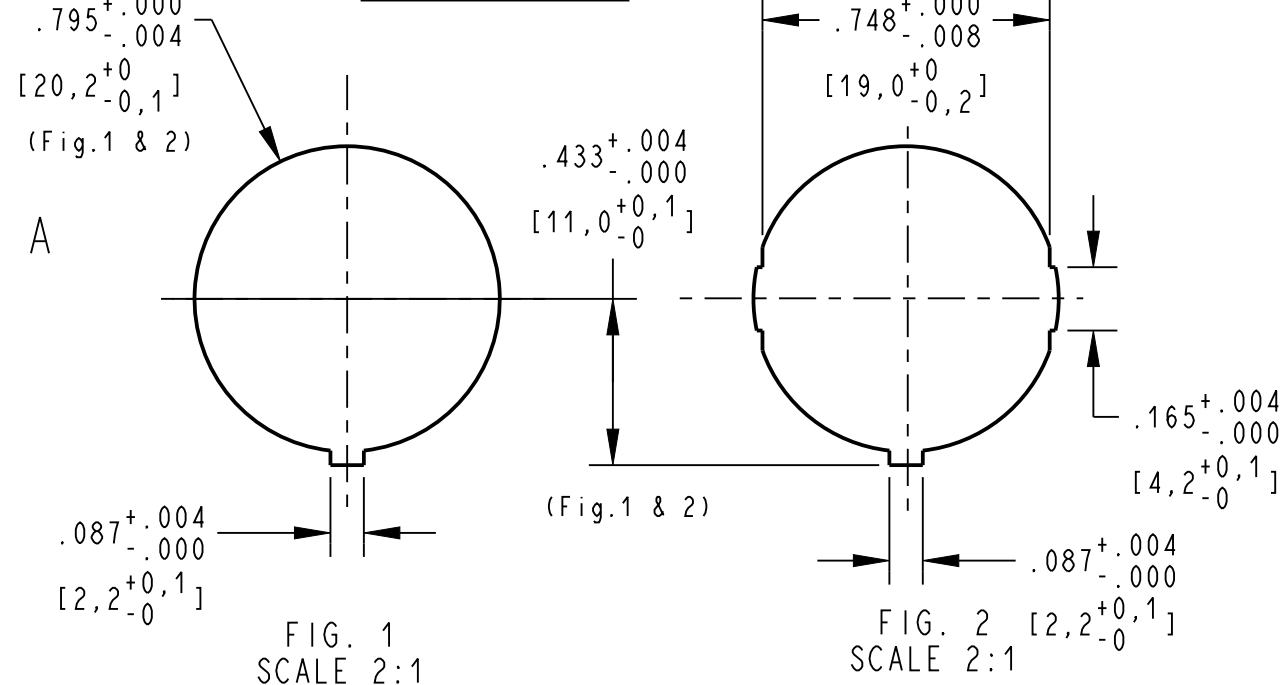
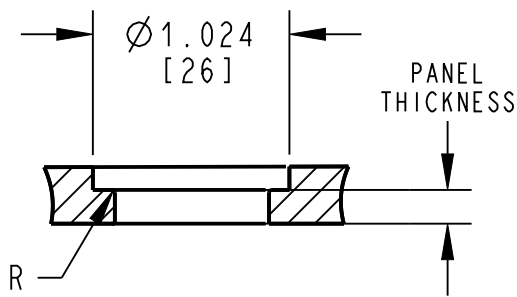


FIG. 1
SCALE 2:1

FIG. 2
SCALE 2:1



MOUNTING HOLES	
FIG.	PANEL THICKNESS
1	.059 TO .098 [1.5 TO 2,5]
2	.028 TO .098 [0.7 TO 2,5]

J	Z000766945	2025-01-16	ELL	ELL
REV	ECO NO.	DATE	PREP	APVD

DWN:	C. RAMOS
APVD:	J. RUMMELHART
DATE:	2025-01-16
THIRD ANGLE PROJECTION	
PROJECT/ CSR	N/A

CONFIDENTIAL AND PROPRIETARY:
 ALL INFORMATION OR INVENTIONS CONTAINED IN THIS DOCUMENT OR DERIVED FROM THE INFORMATION THERE IN IS OWNED BY ZF ELECTRONIC SYSTEMS, AND IS CONFIDENTIAL AND PROPRIETARY. REVIEW OR POSSESSION OF THIS DOCUMENT INDICATES AGREEMENT THAT SUCH INFORMATION AND INVENTIONS WILL NOT BE DISCLOSED, REPRODUCED OR OTHERWISE USED IN ANY WAY WITHOUT EXPRESS WRITTEN PERMISSION FROM AN AUTHORIZED REPRESENTATIVE OF ZF ELECTRONIC SYSTEMS.



ZF Electronic Systems

PLEASANT PRAIRIE, WISCONSIN U.S.A.

NAME / DESCRIPTION

KC-SPST ON-OFF

TOLERANCE UNLESS SPECIFIED			
DWG UNITS	X.XX	X.XXX	ANGLES
INCHES (mm)	± 0.02	± 0.012	± 5 °

B	ITEM NO.	KCA2ANA1BBB
SCALE:	1:1	SH 1 OF 1

ORIGINAL ON PROJE